



McElroy Manufacturing, Inc.
The leader by design.
Tulsa, Oklahoma U.S.A.

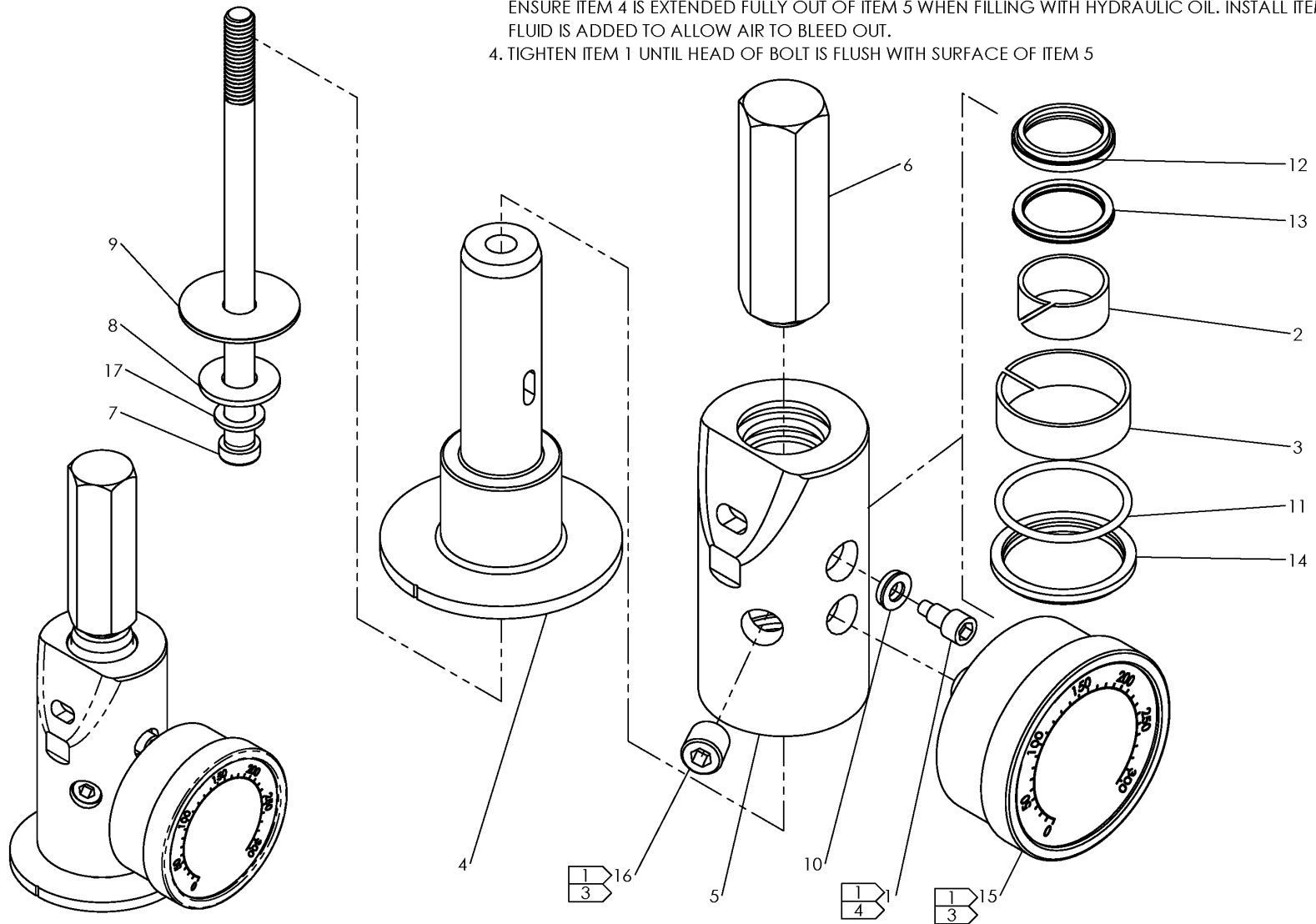
DRAWN: MRH CHECK: PJD APPRVD: BWJ DATE: 2/24/17 SHT No: 1 REV No: C PART No: SW30901

Hornet™ LOAD CELL ASSEMBLY

NOTE: THIS DRAWING AND THE INFORMATION CONTAINED THEREIN IS THE CONFIDENTIAL AND PROPRIETARY PROPERTY OF McElroy Manufacturing, Inc. THE DRAWING IS NOT TO BE REPRODUCED IN ANY MANNER, SUBMITTED TO OUTSIDE PARTIES FOR EXAMINATION, OR USED DIRECTLY OR INDIRECTLY FOR THE PURPOSES OTHER THAN THOSE FOR WHICH IT WAS FURNISHED WITHOUT WRITTEN PERMISSION OF McElroy Manufacturing, Inc.

NOTES:

1. APPLY THREAD SEALER OR TEFLON TAPE PRIOR TO INSTALLATION.
2. APPLY MEDIUM STRENGTH THREAD LOCKER.
3. FILL THE CYLINDER WITH ISO 46 HYDRAULIC OIL THROUGH GAUGE PORT PRIOR TO INSTALLING ITEM 15. ENSURE ITEM 4 IS EXTENDED FULLY OUT OF ITEM 5 WHEN FILLING WITH HYDRAULIC OIL. INSTALL ITEM 16 AFTER FLUID IS ADDED TO ALLOW AIR TO BLEED OUT.
4. TIGHTEN ITEM 1 UNTIL HEAD OF BOLT IS FLUSH WITH SURFACE OF ITEM 5



McElroy Manufacturing Parts List

Part Number: SW30901 Hornet Load Cell Assembly

Part Number SW30901 Component List

Item	Component	Description	Quantity	Unit	Price
1	SW01401	Indexing Screw	1.0	EA	22.70
2	SW23801	Adapter Upper Wear Band (Effective to 3/27/17)	1.0	EA	0.00
2	MDL00283	1.00 Low Friction Wear Ring	1.0	EA	12.12
3	SW23802	Adapter Lower Wear Band	1.0	EA	12.37
4	SW31001	Pressure Adapter Shaft	1.0	EA	0.00
5	SW31101	Load Cell Housing	1.0	EA	0.00
6	A211501	Short Clamp Knob Assembly	1.0	EA	89.51
7	MAN00115	3/8-16NCX6LG Shcs SS (Effective to 6/11/17)	1.0	EA	0.00
7	SW31201	Clamp Bolt	1.0	EA	92.92
8	MBF00007	3/8 TY 'a' Wide FL Wshr Stl PL	1.0	EA	0.11
9	MBG00022	3/8" Fender Washer Stl PL	1.0	EA	0.32
10	MBG00130	1/4 SS & Rubber Seal Washer	1.0	EA	0.00
11	MDL00112	O-ring	1.0	EA	0.54
12	MDL00280	1.00 Low Friction Wiper	1.0	EA	7.44
13	MDL00298	1" Rod Seal (Effective to 6/11/17)	1.0	EA	0.00
13	MDL00328	1" Rod Seal	1.0	EA	10.66
14	MDL00336	1.500 ID Wiper	1.0	EA	0.00
15	MEE00047	300PSI/BAR,1% Pressure Gauge	1.0	EA	112.00
16	MFA00007	4MPT Plug	1.0	EA	1.16
17	MBG00001	3/8 Type 'an' FL Wshr Stl PL	1.0	EA	0.26

Please visit <https://fusion.mcelroy.com/parts> to purchase parts or for more information.