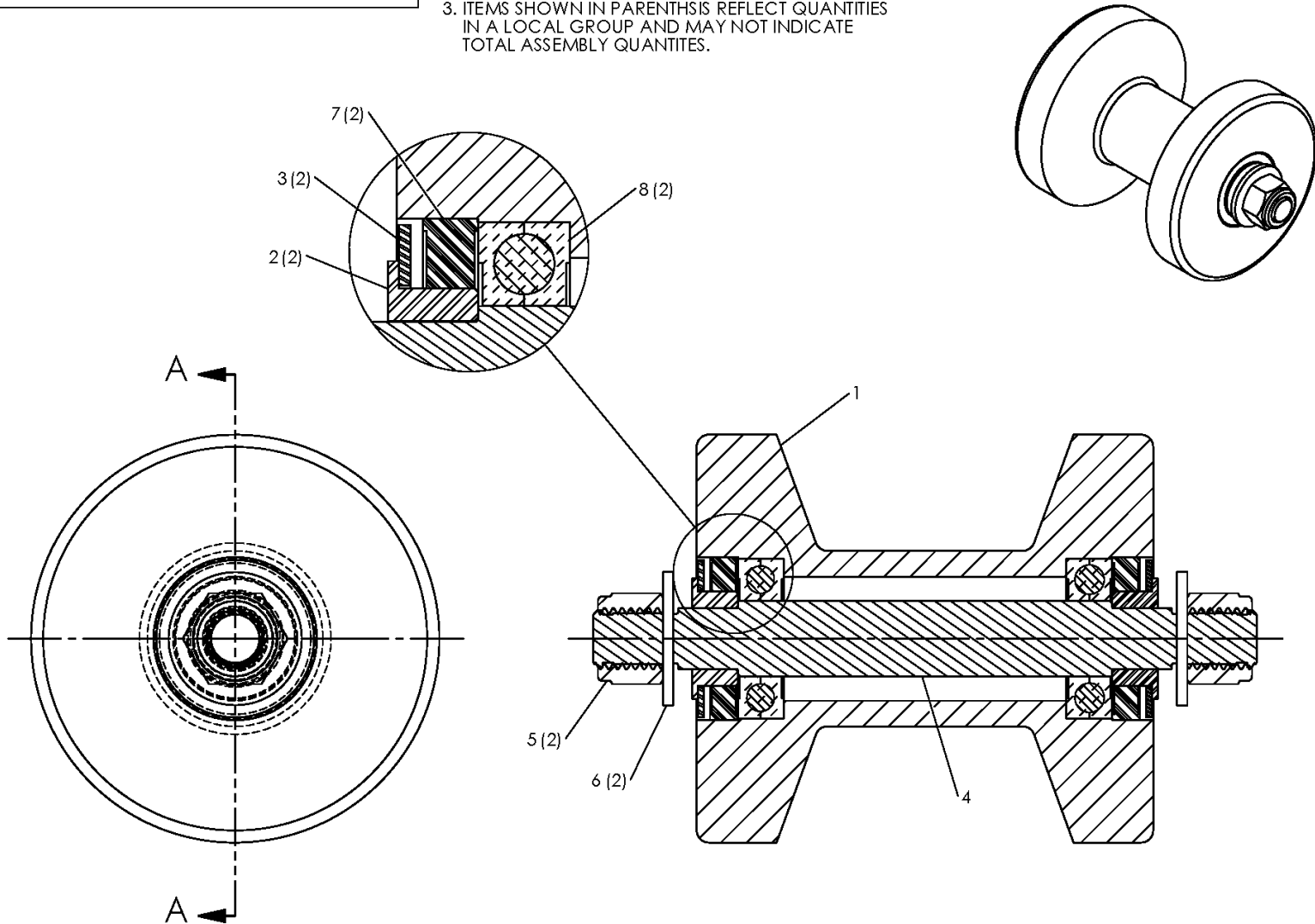


IDLER ROLLER ASSEMBLY

NOTE: THIS DRAWING AND THE INFORMATION CONTAINED THEREIN IS THE CONFIDENTIAL AND PROPRIETARY PROPERTY OF McElroy Manufacturing, Inc. THE DRAWING IS NOT TO BE REPRODUCED IN ANY MANNER, SUBMITTED TO OUTSIDE PARTIES FOR EXAMINATION, OR USED DIRECTLY OR INDIRECTLY FOR THE PURPOSES OTHER THAN THOSE FOR WHICH IT WAS FURNISHED WITHOUT WRITTEN PERMISSION OF McElroy Manufacturing, Inc.

NOTES:

1. INSERT SEAL AS SHOWN (2) PLACES.
2. PACK BEARINGS WITH EP GREASE.
3. ITEMS SHOWN IN PARENTHESES REFLECT QUANTITIES IN A LOCAL GROUP AND MAY NOT INDICATE TOTAL ASSEMBLY QUANTITIES.

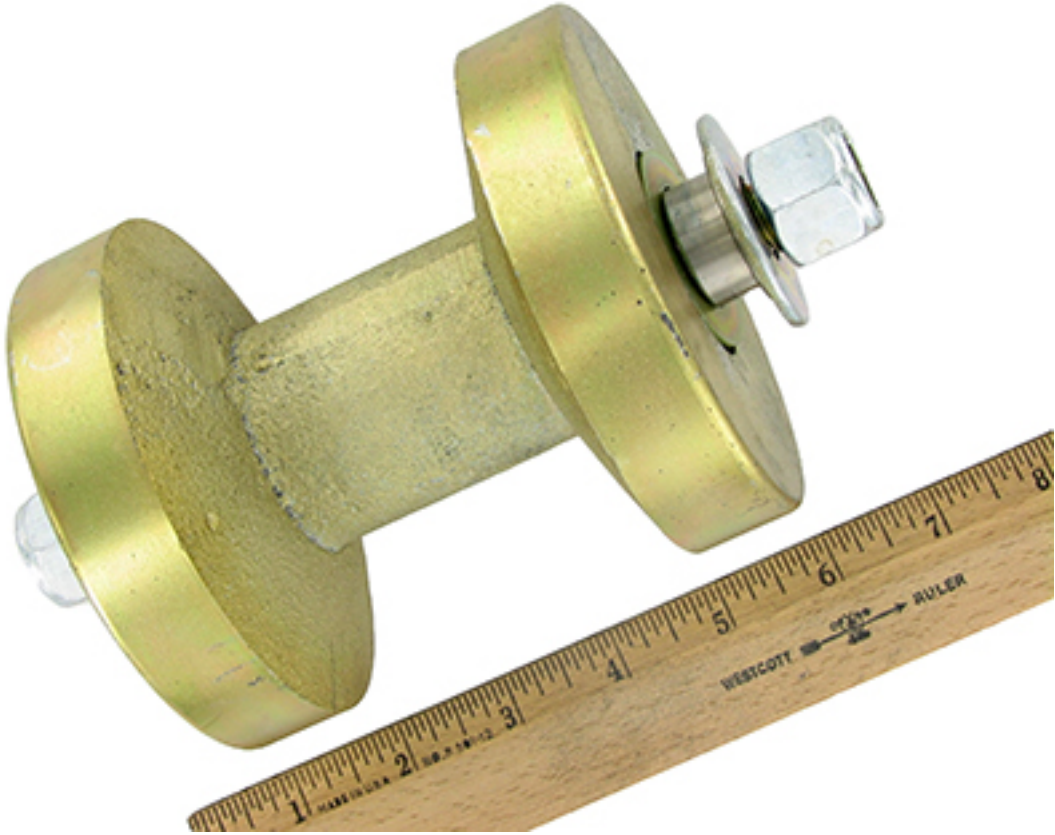


McElroy Manufacturing Parts List

Part Number: T1200602 Idler Roller Assembly



Idler roller assembly



Idler roller assy

Part Number T1200602 Component List

Item	Component	Description	Quantity	Unit	Price
1	T1207302	Idler Roller	1.0	EA	0.00
2	T1206501	Idler Bolt Sleeve	2.0	EA	29.29
3	T1206601	Idler Bolt Inner Washer	2.0	EA	2.19
4	T1207401	Idler Bolt	1.0	EA	41.37
5	MBC00011	5/8-11NC Fnsh Hex Nyl Lck Nut	2.0	EA	1.09

McElroy Manufacturing Parts List

Part Number: T1200602 Idler Roller Assembly

6	MBF00011	5/8 TY 'a' Wide FL Wshr Stil PL	2.0 EA	0.40
7	MDL00229	Seal	2.0 EA	11.59
8	MDM00284	20MM X 42MM X 12MM Bearing	2.0 EA	10.98

Please visit <https://fusion.mcelroy.com/parts> to purchase parts or for more information.

