



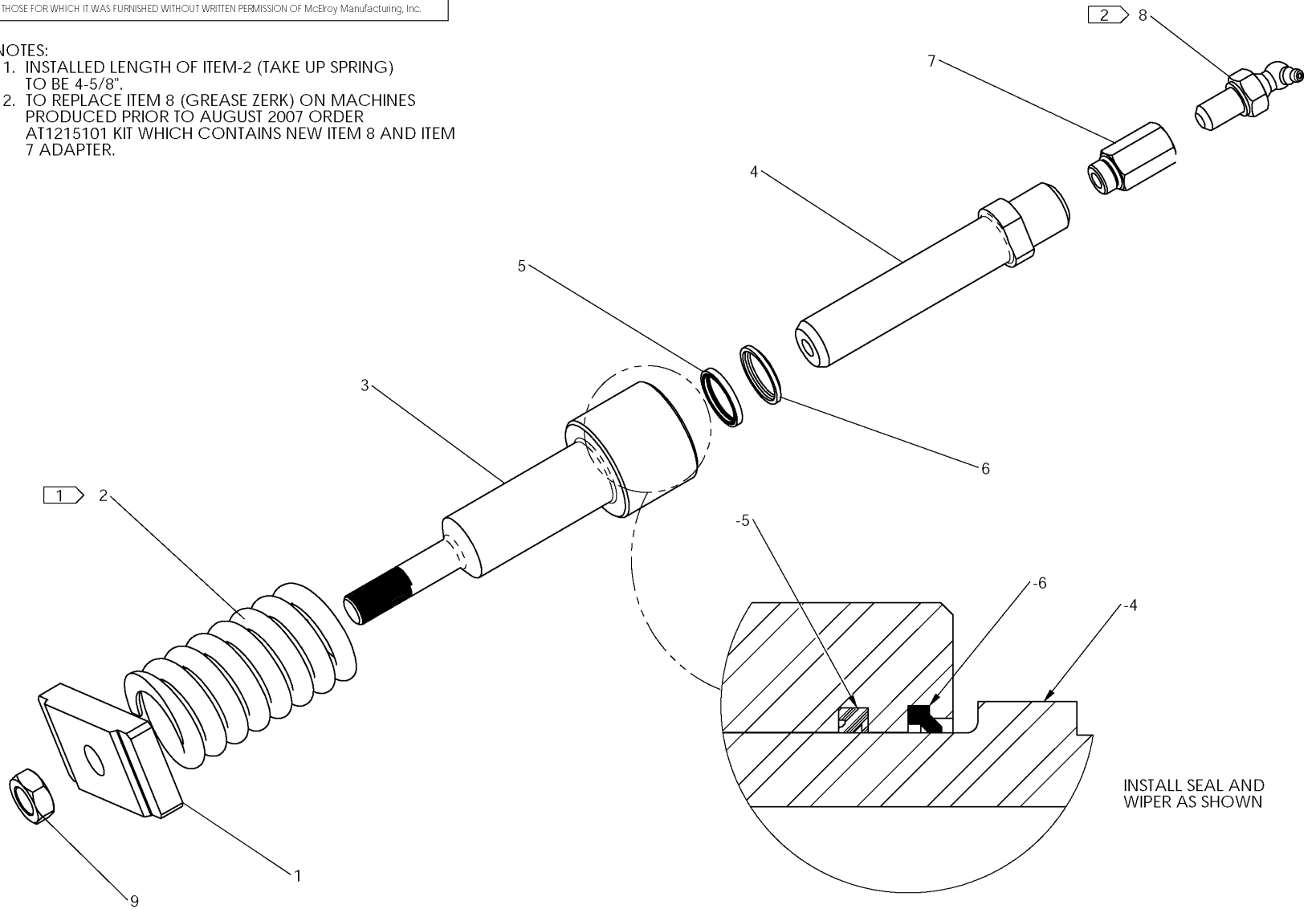
McElroy Manufacturing, Inc.
The leader by design.
Tulsa, Oklahoma U.S.A.

DRAWN: MLM CHECK: DWP APPRVD: JRP DATE: 2/09/01 SHT No: 1 REV No: C PART No: T1200604

TAKE UP CYLINDER ASSEMBLY

NOTE: THIS DRAWING AND THE INFORMATION CONTAINED THEREIN IS THE CONFIDENTIAL AND PROPRIETARY PROPERTY OF McElroy Manufacturing, Inc. THE DRAWING IS NOT TO BE REPRODUCED IN ANY MANNER, SUBMITTED TO OUTSIDE PARTIES FOR EXAMINATION, OR USED DIRECTLY OR INDIRECTLY FOR THE PURPOSES OTHER THAN THOSE FOR WHICH IT WAS FURNISHED WITHOUT WRITTEN PERMISSION OF McElroy Manufacturing, Inc.

- NOTES:
1. INSTALLED LENGTH OF ITEM-2 (TAKE UP SPRING) TO BE 4-5/8".
 2. TO REPLACE ITEM 8 (GREASE ZERK) ON MACHINES PRODUCED PRIOR TO AUGUST 2007 ORDER AT1215101 KIT WHICH CONTAINS NEW ITEM 8 AND ITEM 7 ADAPTER.

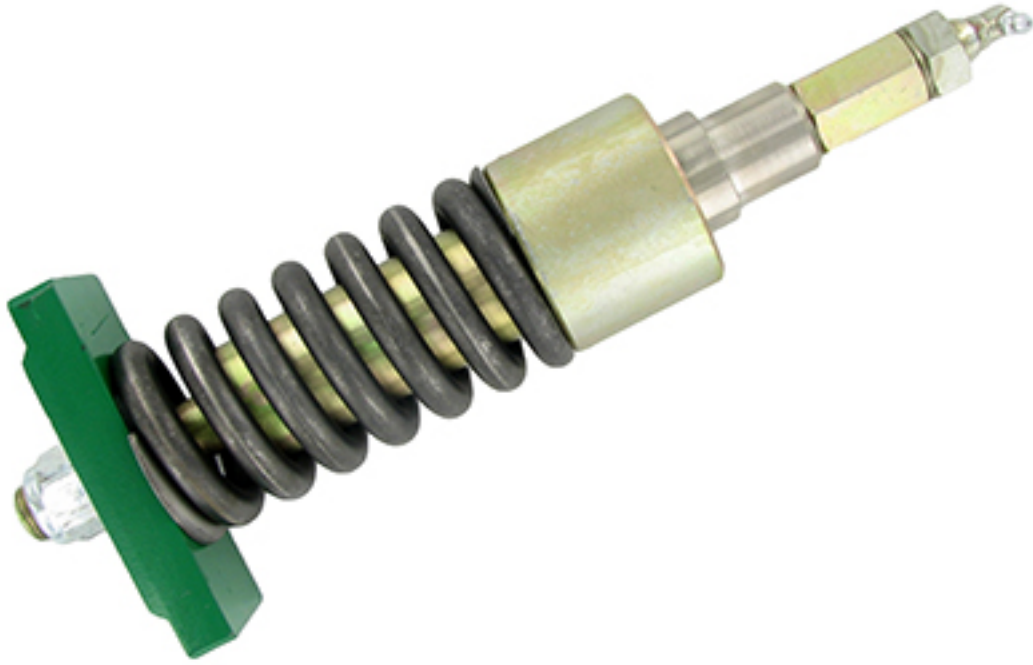


INSTALL SEAL AND WIPER AS SHOWN



McElroy Manufacturing Parts List

Part Number: T1200604 Take Up Cylinder Assembly



Take up cylinder assy

Part Number T1200604 Component List

| Item | Component | Description | Quantity | Unit | Price |
|------|-----------|--------------------------------|----------|------|--------|
| 1 | T1206901 | Take UP Pusher Plate | 1.0 | EA | 92.00 |
| 2 | T1207801 | Take UP Spring | 1.0 | EA | 45.26 |
| 3 | T1207601 | Take UP Cylinder | 1.0 | EA | 139.00 |
| 4 | T1207701 | Take UP Piston | 1.0 | EA | 195.00 |
| 5 | MDL00235 | Poly Pak Seal | 1.0 | EA | 7.69 |
| 6 | MDL00233 | Wiper | 1.0 | EA | 1.78 |
| 7 | T1215201 | Grease Fitting Adptr W/ O-ring | 1.0 | EA | 91.94 |
| 8 | MFJ00021 | M16X1.5 Ball Check&zerk Fitng | 1.0 | EA | 63.57 |
| 9 | MBC00032 | 3/4-16NF Fnsh Hex Nyl Lck Nut | 1.0 | EA | 1.51 |

Please visit <https://fusion.mcelroy.com/parts> to purchase parts or for more information.