



McElroy Manufacturing, Inc.

The leader by design.

Tulsa, Oklahoma U.S.A.

DRAWN: BWW

CHECK: BWJ

APPRVD: JRP

DATE: 8/10/00

SHT No: 1

REV No: P

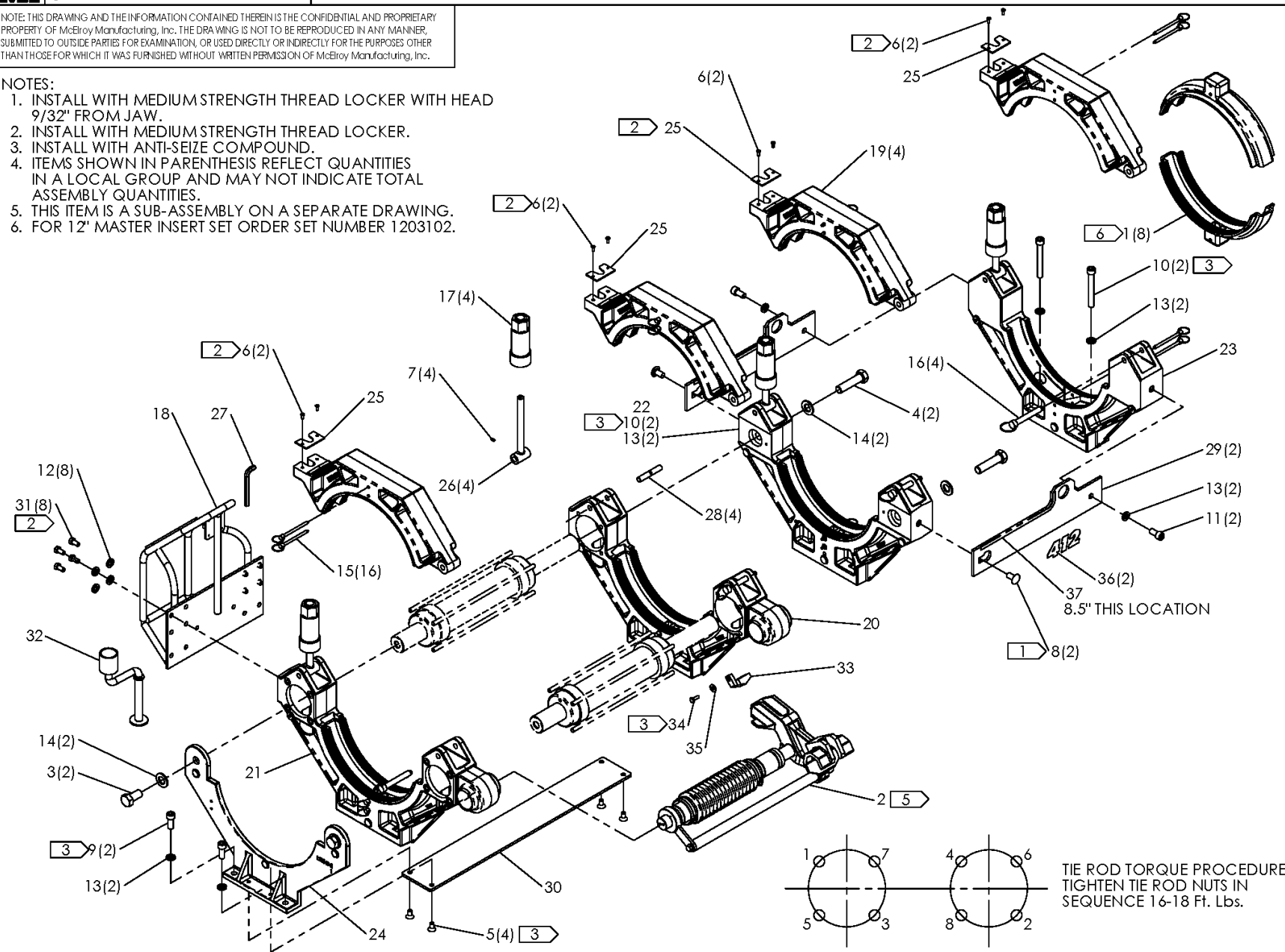
PART No: T1201301

TracStar® 412 DIPS JAW SET ASSEMBLY

NOTE: THIS DRAWING AND THE INFORMATION CONTAINED THEREIN IS THE CONFIDENTIAL AND PROPRIETARY PROPERTY OF McElroy Manufacturing, Inc. THE DRAWING IS NOT TO BE REPRODUCED IN ANY MANNER, SUBMITTED TO OUTSIDE PARTIES FOR EXAMINATION, OR USED DIRECTLY OR INDIRECTLY FOR THE PURPOSES OTHER THAN THOSE FOR WHICH IT WAS FURNISHED WITHOUT WRITTEN PERMISSION OF McElroy Manufacturing, Inc.

NOTES:

1. INSTALL WITH MEDIUM STRENGTH THREAD LOCKER WITH HEAD 9/32" FROM JAW.
2. INSTALL WITH MEDIUM STRENGTH THREAD LOCKER.
3. INSTALL WITH ANTI-SEIZE COMPOUND.
4. ITEMS SHOWN IN PARENTHESIS REFLECT QUANTITIES IN A LOCAL GROUP AND MAY NOT INDICATE TOTAL ASSEMBLY QUANTITIES.
5. THIS ITEM IS A SUB-ASSEMBLY ON A SEPARATE DRAWING.
6. FOR 12' MASTER INSERT SET ORDER SET NUMBER 1203102.



TIE ROD TORQUE PROCEDURE
TIGHTEN TIE ROD NUTS IN
SEQUENCE 1-8 Ft. Lbs.

McElroy Manufacturing Parts List

Part Number: T1201301 TracStar 412 Dips Jaw Set Assembly

Part Number T1201301 Component List

Item	Component	Description	Quantity	Unit	Price
1	1203101	12IPS/DIPS Master Insert	8.0	EA	363.00
2	T1201401	TracStar 412 Facer Pivot Shaft Assembly	1.0	EA	1,467.00
3	MAB00091	3/4-10NCX1-1/2LG Hhcs	2.0	EA	3.16
4	MAB00084	3/4-10NCX3LG Hhcs GR8	2.0	EA	5.27
5	MAN00057	3/8-16NCX3/4LG Fhscs SS	4.0	EA	1.44
6	MAN00062	#10-24NCX1/2 LG Bhscs SS	8.0	EA	0.29
7	MAG00002	#10-24NCX3/8LG Skt Set Scr	4.0	EA	1.27
8	MAI00001	1/2-13NCX1LG Crg Bolt	2.0	EA	2.05
9	MAN00017	1/2-13NCX1-1/4LG Shcs SS	2.0	EA	2.05
10	MAN00018	1/2-13NCX4LG Shcs SS	4.0	EA	5.27
11	MAN00020	1/2-13NCX1LG Shcs SS	2.0	EA	2.05
12	MBE00007	3/8 Reg Splt Lck Wshr Stil PL	8.0	EA	0.12
13	MBE00009	1/2 Reg Splt Lck Washer Stil PL	8.0	EA	0.18
14	MBG00010	3/4 Flat Washer Bla	4.0	EA	5.74
15	MCE00003	1/4 DIA X3.00 Grip Detent Pin	16.0	EA	7.94
16	MCE00007	1/2 DIA X3.00 Grip Detent Pin	4.0	EA	12.24
17	A1226301	Obsolete Repl by A1226203 (Effective 10/2/00 to 12/8/14)	4.0	EA	0.00
17	A1226203	Clamp Knob Assembly	4.0	EA	177.00
18	1853101	Manifold Bracket Weldment	1.0	EA	455.00
19	1203302	Dips Upper Jaw	4.0	EA	888.00
20	1203502	Dips Lower Inner Movable Jaw	1.0	EA	2,123.00
21	1203503	Dips Lower Outer Movable Jaw	1.0	EA	2,123.00
22	1203203	Replaced by 1203208 (Effective 10/2/00 to 4/30/14)	1.0	EA	0.00
22	1203208	Hyd Clmpng Dips Lwr Inr FX Jaw	1.0	EA	1,240.00
23	1203204	Dips Lower Outer Fixed Jaw	1.0	EA	1,222.00
24	1203402	Guide Rod Support Plate	1.0	EA	447.00
25	1210501	Clamp Pad	4.0	EA	29.31
26	1217101	Eyebolt	4.0	EA	97.38
27	MJL00018	3/8 Hex Key Wrench-long Ser PL	1.0	EA	12.26
28	1226501	.500" X 3" Jaw Pivot Pin	4.0	EA	25.24
29	T1802903	Outer Fixed Jaw Brace	2.0	EA	119.00
30	1814601	Carriage Support Plate	1.0	EA	187.00
31	MAB00063	3/8-16NCX3/4LG Hhcs	8.0	EA	0.40
32	1818501	12/18 Speed Wrench Assy	1.0	EA	231.00
33	T1208901	Facer Stop Pad	1.0	EA	53.73
34	MAB00003	1/4-20NCX3/4LG Hhcs	1.0	EA	0.31
35	MBF00005	1/4 TY 'a' Wide FL Wshr Stil PL	1.0	EA	0.11
36	8163119	Medium McElroy Branding Label (Effective 12/6/04 to 2/12/07)	2.0	EA	10.77
36	8163149	412 Label	2.0	EA	10.40
37	MDL00242	1/4" Edge Trim	1.4	FT	2.28

Please visit <https://fusion.mcelroy.com/parts> to purchase parts or for more information.