



McElroy Manufacturing, Inc.

The leader by design.

Tulsa, Oklahoma U.S.A.

DRAWN: BWW

CHECK: DWP

APPRVD: SWB

DATE: 8/9/00

SHT No: 1

REV No: N

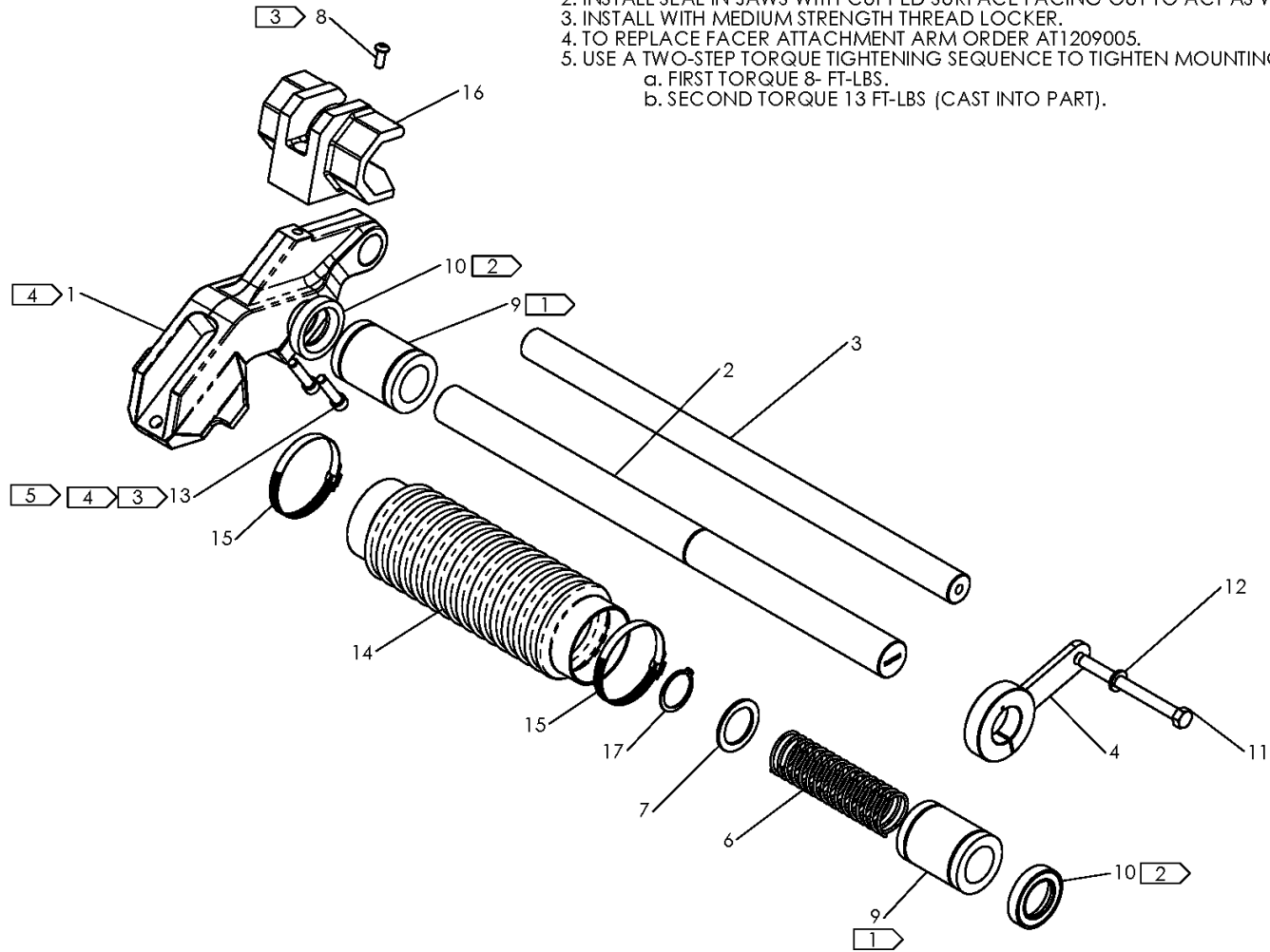
PART No: T1201401

TracStar® 412 FACER PIVOT SHAFT ASSEMBLY

NOTE: THIS DRAWING AND THE INFORMATION CONTAINED THEREIN IS THE CONFIDENTIAL AND PROPRIETARY PROPERTY OF McElroy Manufacturing, Inc. THE DRAWING IS NOT TO BE REPRODUCED IN ANY MANNER, SUBMITTED TO OUTSIDE PARTIES FOR EXAMINATION, OR USED DIRECTLY OR INDIRECTLY FOR THE PURPOSES OTHER THAN THOSE FOR WHICH IT WAS FURNISHED WITHOUT WRITTEN PERMISSION OF McElroy Manufacturing, Inc.

NOTES:

1. CLEAN OUTER SURFACE WITH SOLVENT CLEANER, INSTALL WITH HIGH STRENGTH RETAINING COMPOUND. **CAUTION** APPLY A THIN LAYER OF RETAINING COMPOUND TO O.D. OF BEARING. EXCESSIVE AMOUNT MAY BLEED INTO BALL CAVITY & LOCK-UP BEARINGS. ALLOW 30 MIN. TO CURE.
2. INSTALL SEAL IN JAWS WITH CUPPED SURFACE FACING OUT TO ACT AS WIPERS.
3. INSTALL WITH MEDIUM STRENGTH THREAD LOCKER.
4. TO REPLACE FACER ATTACHMENT ARM ORDER AT1209005.
5. USE A TWO-STEP TORQUE TIGHTENING SEQUENCE TO TIGHTEN MOUNTING SCREWS.
 - a. FIRST TORQUE 8- FT-LBS.
 - b. SECOND TORQUE 13 FT-LBS. (CAST INTO PART).



McElroy Manufacturing Parts List

Part Number: T1201401 TracStar 412 Facer Pivot Shaft Assembly

Part Number T1201401 Component List

Item	Component	Description	Quantity	Unit	Price
1	T1209003	Obsolete & Repl by AT1209005 (Effective 12/5/06 to 5/5/21)	1.0	EA	0.00
1	T1209005	Facer Attachment Arm	1.0	EA	0.00
2	T1209101	Facer Pivot Shaft	1.0	EA	477.00
3	T1209301	Facer Stop Rod	1.0	EA	165.00
4	T1209201	Facer Pivot Shaft Tie Arm Wld	1.0	EA	197.00
6	1872601	Facer Pivot Shaft Spring	1.0	EA	78.63
7	1805702	Fcr Pivot Shaft Spring Washer	1.0	EA	11.32
8	MAN00056	3/8-16NCX1-1/2LG Bhscs SS	1.0	EA	2.09
9	MDM00036	Linear Ball Bearing Super 20	2.0	EA	230.00
10	MDL00046	1.25 ID X 2.004 OD S-1250 Seal	2.0	EA	28.50
11	MAB00065	3/8-16NCX1-1/4LG Hhcs	1.0	EA	0.52
12	MBE00007	3/8 Reg Splt Lck Wshr Stl PL	1.0	EA	0.12
13	MAH00148	5/16-18NCX1LG Shcs SS (Effective 6/13/02 to 5/5/21)	2.0	EA	0.62
13	MAH00297	5/16-18NC X 1-3/8"LG Shcs SS	2.0	EA	1.02
14	836401	Fcr Pivot Shaft Rod Boot	1.0	EA	129.00
15	MFD00049	Hose Clamp	2.0	EA	3.26
16	T5004901	Fcr Guide Rod Bracket W/hdwr (Effective 1/11/01 to 3/11/13)	1.0	EA	169.00
16	T5004905	Obs & Repl by T12P1033249 (Effective 3/12/13 to 10/7/24)	1.0	EA	0.00
17	MCB00008	Ext Snap Ring	1.0	EA	0.75

Please visit <https://fusion.mcelroy.com/parts> to purchase parts or for more information.