



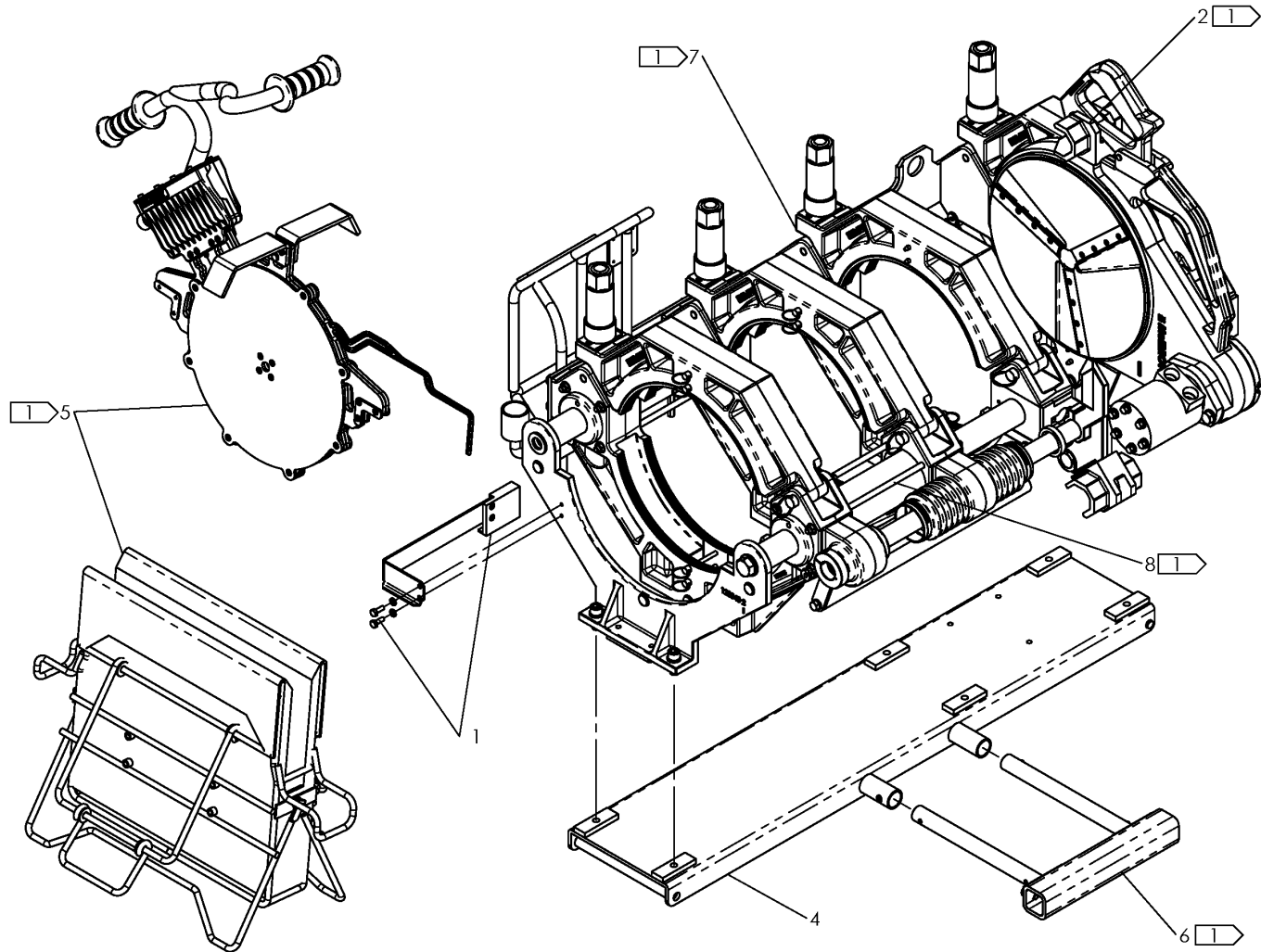
McElroy Manufacturing, Inc.
The leader by design.
Tulsa, Oklahoma U.S.A.

DRAWN: LBK CHECK: DWP APPRVD: JRP DATE: 1/31/07 SHT No: 1 REV No: D PART No: T1213400

TracStar® AUTOMATED CARRIAGE ASSEMBLY

NOTE: THIS DRAWING AND THE INFORMATION CONTAINED THEREIN IS THE CONFIDENTIAL AND PROPRIETARY PROPERTY OF McElroy Manufacturing, Inc. THE DRAWING IS NOT TO BE REPRODUCED IN ANY MANNER, SUBMITTED TO OUTSIDE PARTIES FOR EXAMINATION, OR USED DIRECTLY OR INDIRECTLY FOR THE PURPOSES OTHER THAN THOSE FOR WHICH IT WAS FURNISHED WITHOUT WRITTEN PERMISSION OF McElroy Manufacturing, Inc.

- NOTES:
1. THIS ITEM IS A SUB-ASSEMBLY ON A SEPERATE DRAWING
2. SEE DRAWING T1201003 ITEM 3 FOR PLUMBING SCHEMATIC LAYOUT AND COMPONENTS.



McElroy Manufacturing Parts List

Part Number: T1213402 Replaced by T1213405 (TracStar 412 Automated HF Carriage Assembly) (Single RTD)

Part Number T1213402 Component List

Item	Component	Description	Quantity	Unit	Price
1	AT1814001	Transducer Kit	1.0	EA	0.00
2	T1200501	TracStar 412 Facer Assembly	1.0	EA	9,794.00
3	T1201003	TracStar 412 Automated Carriage Plumbing Schematic	1.0	EA	0.00
4	T1202501	Carriage Skid	1.0	EA	1,222.00
5	T1213301	TracStar 412 Automated Heater Assembly	1.0	EA	7,694.00
6	T1213501	Outrigger Assembly	1.0	EA	390.00
7	T1213901	Replaced by T1213904, T1213905 or T1213906	1.0	EA	0.00
8	1251701	412 HF Cylinder Assembly Set	1.0	S2	4,333.00

Please visit <https://fusion.mcelroy.com/parts> to purchase parts or for more information.

