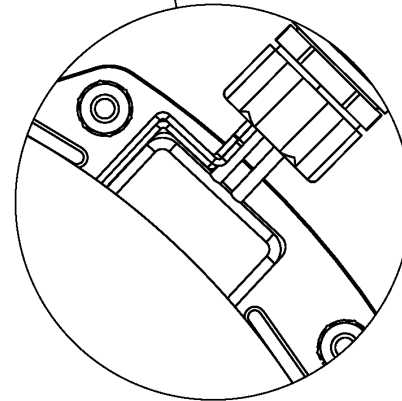
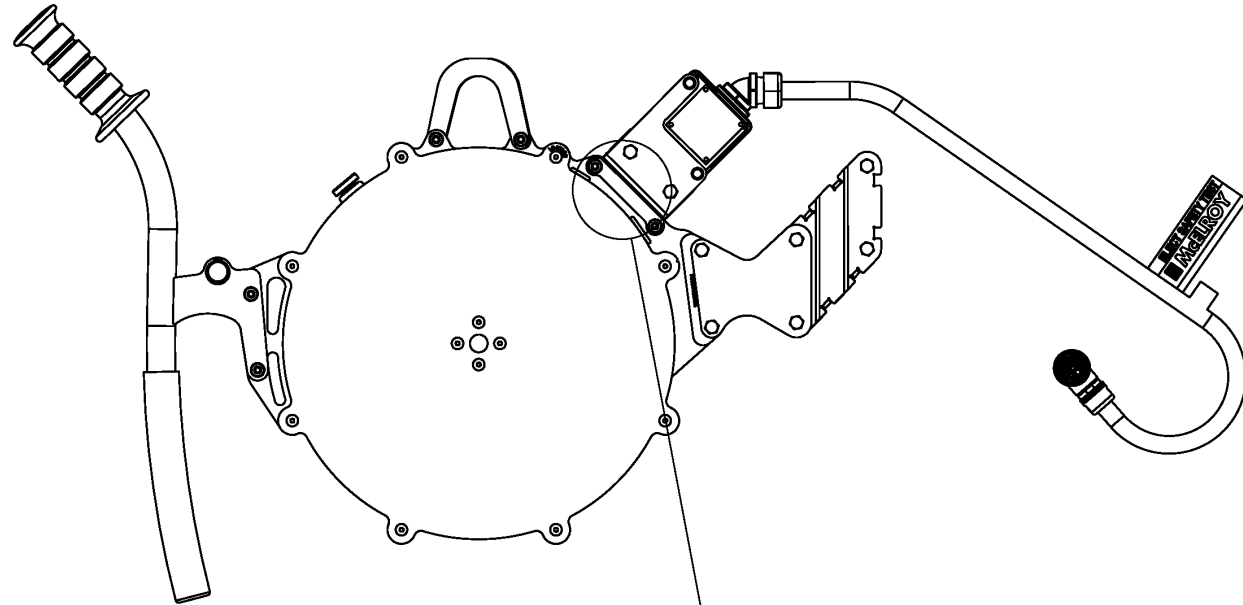


#412 HEATER ASSEMBLY 220-240V, 50/60Hz, 1 Ph

NOTE: THIS DRAWING AND THE INFORMATION CONTAINED THEREIN IS THE CONFIDENTIAL AND PROPRIETARY PROPERTY OF McElroy Manufacturing, Inc. THE DRAWING IS NOT TO BE REPRODUCED IN ANY MANNER, SUBMITTED TO OUTSIDE PARTIES FOR EXAMINATION, OR USED DIRECTLY OR INDIRECTLY FOR THE PURPOSES OTHER THAN THOSE FOR WHICH IT WAS FURNISHED WITHOUT WRITTEN PERMISSION OF McElroy Manufacturing, Inc.

**DETAIL A**

COMPONENTS HIDDEN FOR CLARITY
RTD WIRES MAY NOT OVERLAP POTTING

NOTES:

1. ITEMS SOLD AS KIT: A1242108.
2. HEATER SHALL PASS ALL ELECTRICAL SAFETY COMPLIANCE TESTS PER ES497 BEFORE INSTALLING ELECTRICAL SAFETY TEST LABELS.
3. ATTACH TO ITEM 9, APPROXIMATELY WHERE SHOWN.
4. INSTALL WITH HIGH TEMPERATURE ANTI-SEIZE COMPOUND.
- 5.
- 6.
7. CRIMP MLMP1018067 WITH PANDUIT CT-1570 USING 10-12 POCKET
USE IPC-WHMA-A-620C MINIMUM PULL FORCE TEST OF 70 LBS.
8. CRIMP MLM00040 WITH PANDUIT CT-1570 USING 22-18 POCKET
USE IPC-WHMA-A-620C MINIMUM PULL FORCE TEST OF 13 LBS.

McElroy Manufacturing Parts List

Part Number: T12P0760665 Obsolete & Replaced by T12P1099296 (412 220-240V, 50/60Hz, 1Ph Heater Assembly) ((4-2024 to 6-2026))

Part Number T12P0760665 Component List

Item	Component	Description	Quantity	Unit	Price
1	T12P1015270	C'bored Heater Body	1.0	EA	654.00
2	T12P1015272	412 Tapped Heater Body	1.0	EA	0.00
3	T12P1016345	412 Heater OD Spacer	1.0	EA	93.05
4	T12P1017550	412 240V Heating Element	1.0	EA	745.00
5	T12P1017552	412 Heater Pull Handle Wld	1.0	EA	215.00
6	T18P1006875	412/618 Heater Shoulder Nut	6.0	EA	49.27
7	T18P1010794	Jaw Standoff	1.0	EA	38.04
8	T18P1015134	Heater Junction Box Back	1.0	EA	0.00
9	T18P1015162	Heater Junction Box Mod (Effective to 2/23/26)	1.0	EA	126.00
9	T18P1101625	Heater Junction Box Mod	1.0	EA	125.43
10	T18P1015276	Splice Plate	2.0	EA	50.55
11	T18P1015319	Lifting Lug	1.0	EA	9.36
12	T18P1015954	Splice Plate Spacer	2.0	EA	115.00
13	T18P1022707	Heater Junction Box Cover	1.0	EA	0.00
14	1242106	Heater I.d. Spacer	1.0	EA	16.51
15	1242108	12 LW Htr Butt Plate (Effective to 2/14/25)	2.0	EA	504.00
16	1857301	Heater Standoff (Effective to 2/14/25)	12.0	EA	8.50
17	410906	Dng Not Expln Proof Tag Label (Effective to 5/23/24)	1.0	EA	4.20
18	8163210	Electrical Safety Test Label	1.0	EA	0.00
19	841304	12/3 & 20/3 Heater Cable (Effective to 5/23/24)	3.0	FT	64.94
20	MAB00005	1/4-20NCX1-1/4LG Hhcs (Effective to 5/23/24)	6.0	EA	0.31
20	MANP1023952	1/4-20NCX1-1/4LG Hhcs SS	4.0	EA	0.69
21	MAB00256	1/4-20NCX1/2LG Hxhd SR Flg Bit (Effective to 8/11/24)	6.0	EA	0.35
21	MAN00097	1/4-20NCX1/2LG Hhcs SS	8.0	EA	0.30
22	MALP1018637	#6-32X1/4LG Pan Thrd Frmng Scr	1.0	EA	0.00
23	MAN00001	#10-24NCX3/8 LG Fhscs SS (Effective to 2/14/25)	24.0	EA	0.41
24	MAN00023	#8-32NCX5/16LG Shcs SS	20.0	EA	0.49
25	MAN00047	#10-24NCX1LG Fhscs SS	2.0	EA	0.49
26	MAN00050	#8-32NCX1LG Shcs SS (Effective to 1/6/25)	2.0	EA	0.40
26	MAN00125	#8-32NCX7/8LG Shcs SS (Effective 1/7/25 to 2/23/26)	2.0	EA	0.41
26	MAL00016	#10-24NC X 1/2LG Hwh TF Screw	2.0	EA	0.49
27	MBA00003	#8-32NC Hex Nut Stil PL (Effective to 2/23/26)	2.0	EA	0.32
28	MBA00005	1/4-20NC Fnsh Hex Nut Stil PL (Effective to 5/23/24)	6.0	EA	0.32
28	MBA00061	1/4-20NC Fnsh Hex Nut 18-8 SS	6.0	EA	0.46
29	MBE00003	#8 Reg Splt Lck Washer Stil PL (Effective to 2/23/26)	2.0	EA	0.05
30	MBE00005	1/4 Reg Splt Lck Washer Stil PL (Effective to 5/23/24)	6.0	EA	0.10
30	MBE00023	1/4 Reg Splt Lck Washer SS	6.0	EA	0.11
31	MCB00094	3/4 ID Retaining Ring PL	2.0	EA	1.02
32	MJJ00009	1" Black Gloss Hand Grip	1.0	EA	3.86
33	MJJP1015640	Cushioned Round Grip	1.0	EA	10.77
34	MJK00002	2.5LG,150-650DEG F Thermometer	1.0	EA	48.72
35	MKI00009	1X3/16 316SS 100OHM Dual Rtd	1.0	EA	115.00
36	MLJ00004	1/2 Seal Ring	1.0	EA	5.24
37	MLJ00005	3/4 Seal Ring	1.0	EA	5.67
38	MLK00022	1/2 Strain Relief Connector	1.0	EA	25.93
39	MLK00079	3/4 X 45DEG Strain Relief Conn	1.0	EA	80.64
39	MLK00041	1/2 X 45DEG Strain Relief Conn (Effective 5/24/24 to 11/19/24)	1.0	EA	0.00
40	MLM00040	18-22 Hi-temp Butt Splice	3.0	EA	1.04
41	MLM00395	10-12 X #8 Hi-temp Ring Term (Effective to 5/23/24)	1.0	EA	1.16

McElroy Manufacturing Parts List

Part Number: T12P0760665 Obsolete & Replaced by T12P1099296 (412 220-240V, 50/60Hz, 1Ph Heater Assembly) ((4-2024 to 6-2026))

42	MLMP1018067	10-12 to 14-16 Splice	2.0 EA	1.85
43	MLN00100	1/2" Conduit Lock Nut	1.0 EA	1.03
44	MLN00219	Fiberglass Tape (per Ft)	4.0 FT	0.56
45	MLN00281	3/8" Black Shrink Tubing	2.5 IN	4.00
46	MLN00311	1/8" Black Shrink Tubing (Effective to 5/23/24)	1.5 IN	3.00
47	MLN00362	3/4" Elec Lock Nut	1.0 EA	1.27
48	MQFP0934625	SZ 16, 90DEG Backshell (Effective to 5/23/24)	1.0 EA	36.00
49	MQFP0997017	14-12AWG SZ12 Pin Terminal (Effective to 5/23/24)	3.0 EA	0.80
50	MQFP1018096	9 Pos Male Plug (Effective to 5/23/24)	1.0 EA	36.00
51	MQFP1018301	22-20AWG SZ16 Pin Terminal (Effective to 5/23/24)	4.0 EA	2.06
52	N1T12P0760665	Nameplate	1.0 EA	0.00
53	T18P1023925	Heater Cable Assy	1.0 EA	406.00
54	T12P1021152	412 Heater Arm	1.0 EA	236.00
55	A1242108	12 Heater Butt Plate Kit	1.0 EA	894.00
56	MBE00004	#10 Reg Splt Lck Washer Stl PL	2.0 EA	0.10

Please visit <https://fusion.mcelroy.com/parts> to purchase parts or for more information.