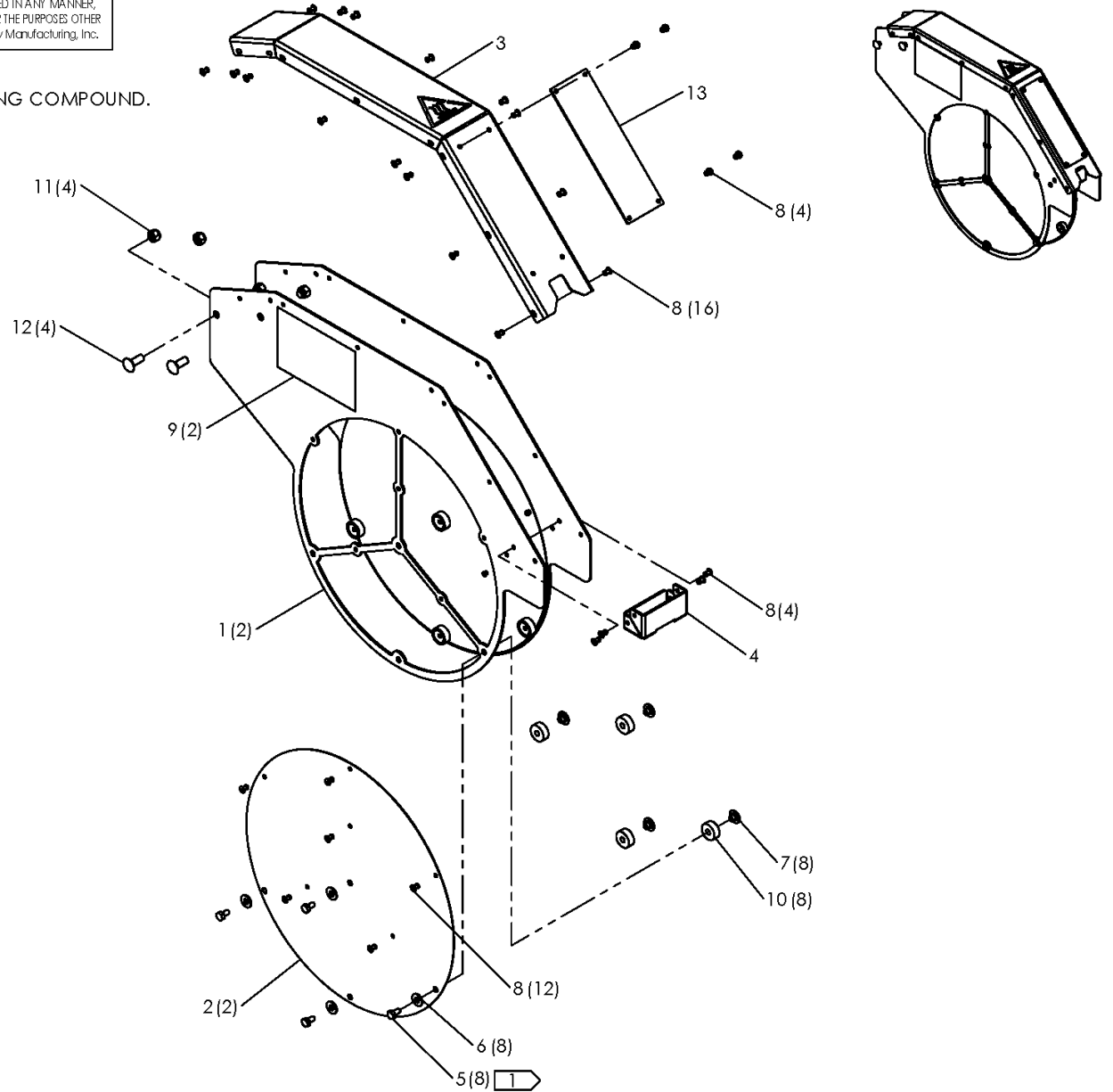


412 HEATER BAG FRAME

NOTE: THIS DRAWING AND THE INFORMATION CONTAINED THEREIN IS THE CONFIDENTIAL AND PROPRIETARY PROPERTY OF McElroy Manufacturing, Inc. THE DRAWING IS NOT TO BE REPRODUCED IN ANY MANNER, SUBMITTED TO OUTSIDE PARTIES FOR EXAMINATION, OR USED DIRECTLY OR INDIRECTLY FOR THE PURPOSES OTHER THAN THOSE FOR WHICH IT WAS FURNISHED WITHOUT WRITTEN PERMISSION OF McElroy Manufacturing, Inc.

NOTES:

1. APPLY MEDIUM STRENGTH THREAD LOCKING COMPOUND.



McElroy Manufacturing Parts List

Part Number: T12P1011357 412 Heater Bag Frame

Part Number T12P1011357 Component List

Item	Component	Description	Quantity	Unit	Price
1	T12P1011266	412 Htr Bag Frame Side Plate	2.0	EA	117.00
2	T12P1011362	412 Insulation Plate	2.0	EA	0.00
3	T12P1011365	412 Rain Guard	1.0	EA	73.20
4	T18P1011520	Heater Bag Stop	1.0	EA	0.00
5	MAB00002	1/4-20NCX1/2LG Hhcs	8.0	EA	0.18
6	MBF00005	1/4 TY 'a' Wide FL Wshr Stil PL	8.0	EA	0.11
7	MBH00127	1/4-20NC Weldnut Rnd Base PL	8.0	EA	0.56
8	MCK00013	3/16DIA X 1/4 Grip Blind Rivet (Effective to 11/10/24)	32.0	EA	0.24
8	MCLP1044862	3/16X.188/.250 Dom HD Rivet SS	36.0	EA	0.00
9	MJQ00507	6"X4" Caution Hot Label	2.0	EA	22.44
10	MJQ00683	25MM OD 10MM LG C'brd Bumper	8.0	EA	30.65
11	MBC00007	3/8-16NC Fnsh Hex Nyl Lck Nut	4.0	EA	0.39
12	MAI00004	3/8-16NC X 1 LG Crg Bolt	4.0	EA	0.74
13	08P1050046	Unstowing Htr Instructional PL	1.0	EA	31.68

Please visit <https://fusion.mcelroy.com/parts> to purchase parts or for more information.