



McElroy Manufacturing, Inc.
The leader by design.
Tulsa, Oklahoma U.S.A.

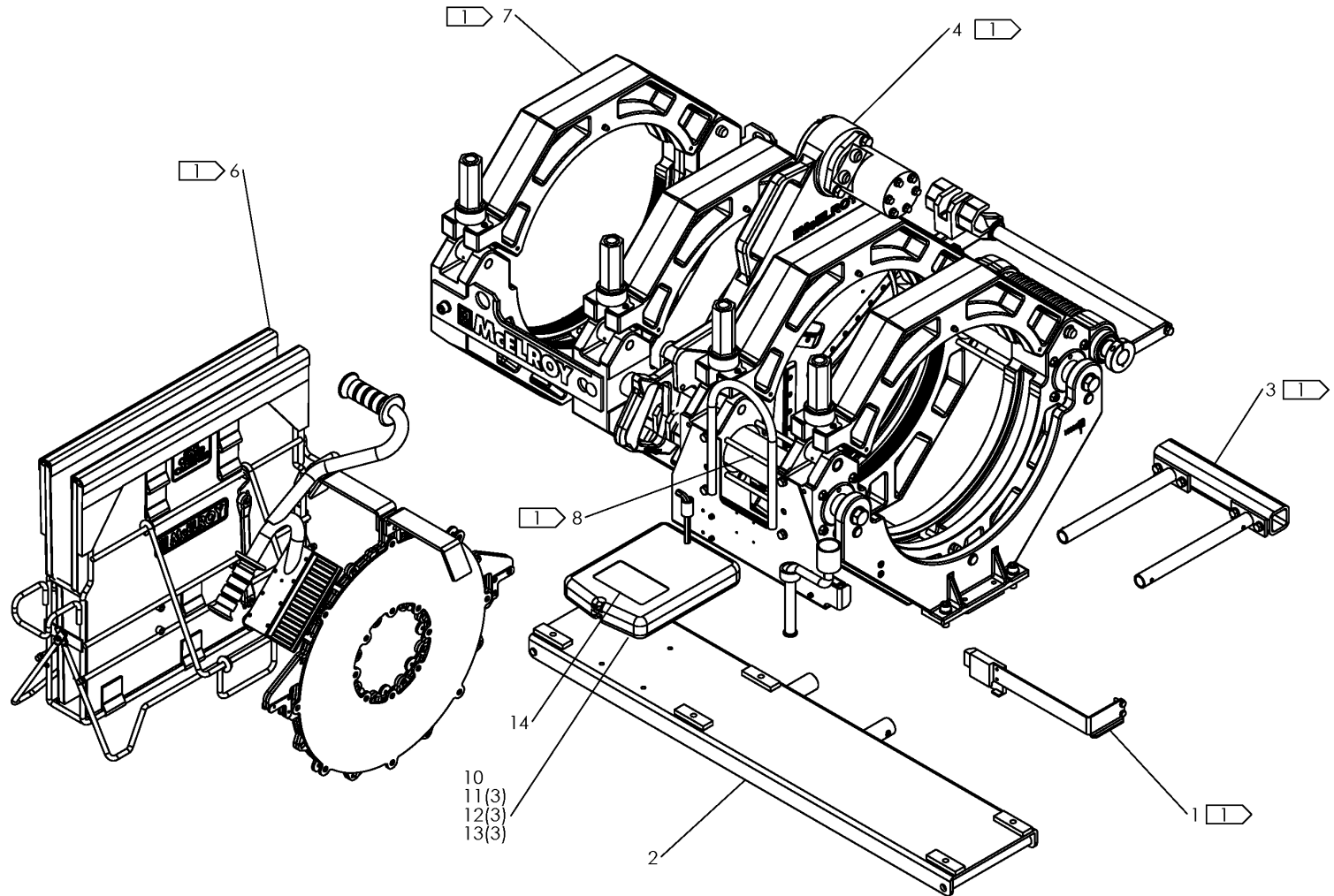
DRAWN: LBK CHECK: DWP APPRVD: JRP DATE: 1/31/07 SHT No: 1 REV No: D PART No: T1813600

TracStar® 618 AUTOMATED CARRIAGE ASSEMBLY

NOTE: THIS DRAWING AND THE INFORMATION CONTAINED THEREIN IS THE CONFIDENTIAL AND PROPRIETARY PROPERTY OF McElroy Manufacturing, Inc. THE DRAWING IS NOT TO BE REPRODUCED IN ANY MANNER, SUBMITTED TO OUTSIDE PARTIES FOR EXAMINATION, OR USED DIRECTLY OR INDIRECTLY FOR THE PURPOSES OTHER THAN THOSE FOR WHICH IT WAS FURNISHED WITHOUT WRITTEN PERMISSION OF McElroy Manufacturing, Inc.

NOTES:

1. THIS ITEM IS A SUB-ASSEMBLY ON A SEPARATE DRAWING
2. SEE DRAWING T1801003 ITEM 5 FOR PLUMBING SCHEMATIC LAYOUT AND COMPONENTS



McElroy Manufacturing Parts List

Part Number: T1813602 TracStar 618 Automated HF Carriage Assembly

Part Number T1813602 Component List

Item	Component	Description	Quantity	Unit	Price
1	AT1814001	Transducer Kit	1.0	EA	0.00
2	T1202501	Carriage Skid	1.0	EA	1,222.00
3	T1213501	Outrigger Assembly	1.0	EA	390.00
4	T1800501	TracStar 618 Facer Assembly	1.0	EA	17,778.00
5	T1801003	TracStar 618 Automated Carriage Plumbing Schematic	1.0	EA	0.00
6	T1813301	TracStar 618 Automated (12-18 IPS) Heater Assembly	1.0	EA	7,908.00
7	T1815801	Replaced by T1815804, T1815805 or T1815806	1.0	EA	0.00
8	1822501	618 HF Cylinder Assembly Set	1.0	S2	4,333.00
10	MJQ00259	Standard 9x6 Literature Compartment	1.0	EA	62.90
11	MAE00032	1/4-20NCX5/8LG Bhscs	3.0	EA	0.42
12	MBG00031	1/4 Fender Washer Stl PL (Effective 2/11/09 to 10/23/13)	3.0	EA	0.31
12	MBF00005	1/4 TY 'a' Wide FL Wshr Stl PL	3.0	EA	0.11
13	MBH00043	1/4-20NC Low Crown Acorn Nut	3.0	EA	0.49
14	816342	Safety Instr Manual Label	1.0	EA	3.16

Please visit <https://fusion.mcelroy.com/parts> to purchase parts or for more information.