



**McElroy Manufacturing, Inc.**  
The leader by design.  
Tulsa, Oklahoma U.S.A.

DRAWN: BEA CHECK: MJA APPRV'D: JRP DATE: 10/16/06

DWG No: T1814700

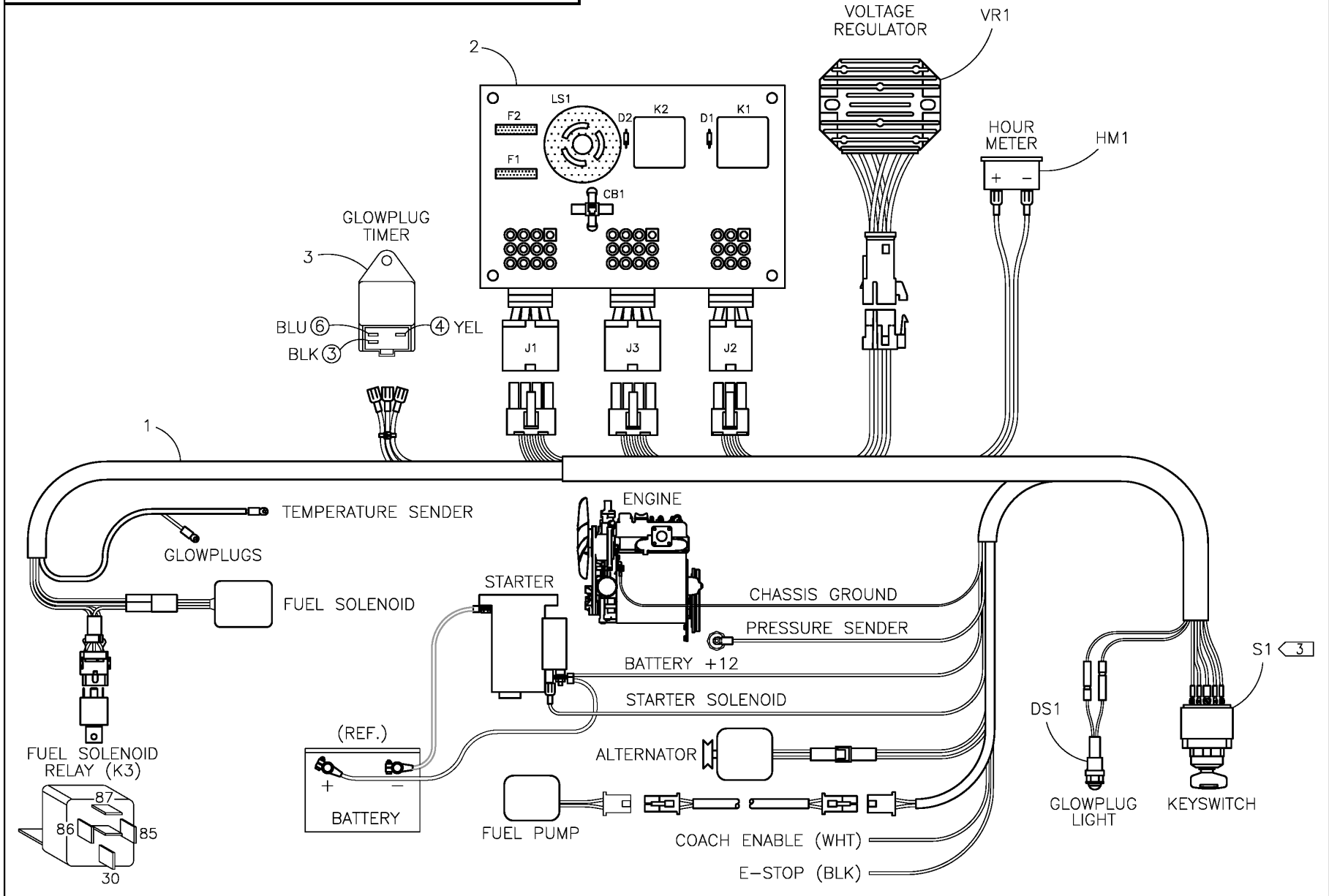
SHT No: 2A REV No: E

PART No: T1814702

TracStar® 412/TracStar® 618 AUTOMATED POWER BASE ELECTRICAL ASSEMBLY

CAD No: T1814702

NOTE: THIS DRAWING AND THE INFORMATION CONTAINED THEREIN IS THE CONFIDENTIAL AND PROPRIETARY PROPERTY OF McElroy Manufacturing, Inc. THE DRAWING IS NOT TO BE REPRODUCED IN ANY MANNER, SUBMITTED OUTSIDE PARTIES FOR EXAMINATION, OR USED DIRECTLY OR INDIRECTLY FOR THE PURPOSES OTHER THAN THOSE FOR WHICH IT WAS FURNISHED WITHOUT WRITTEN PERMISSION OF McElroy Manufacturing, Inc.





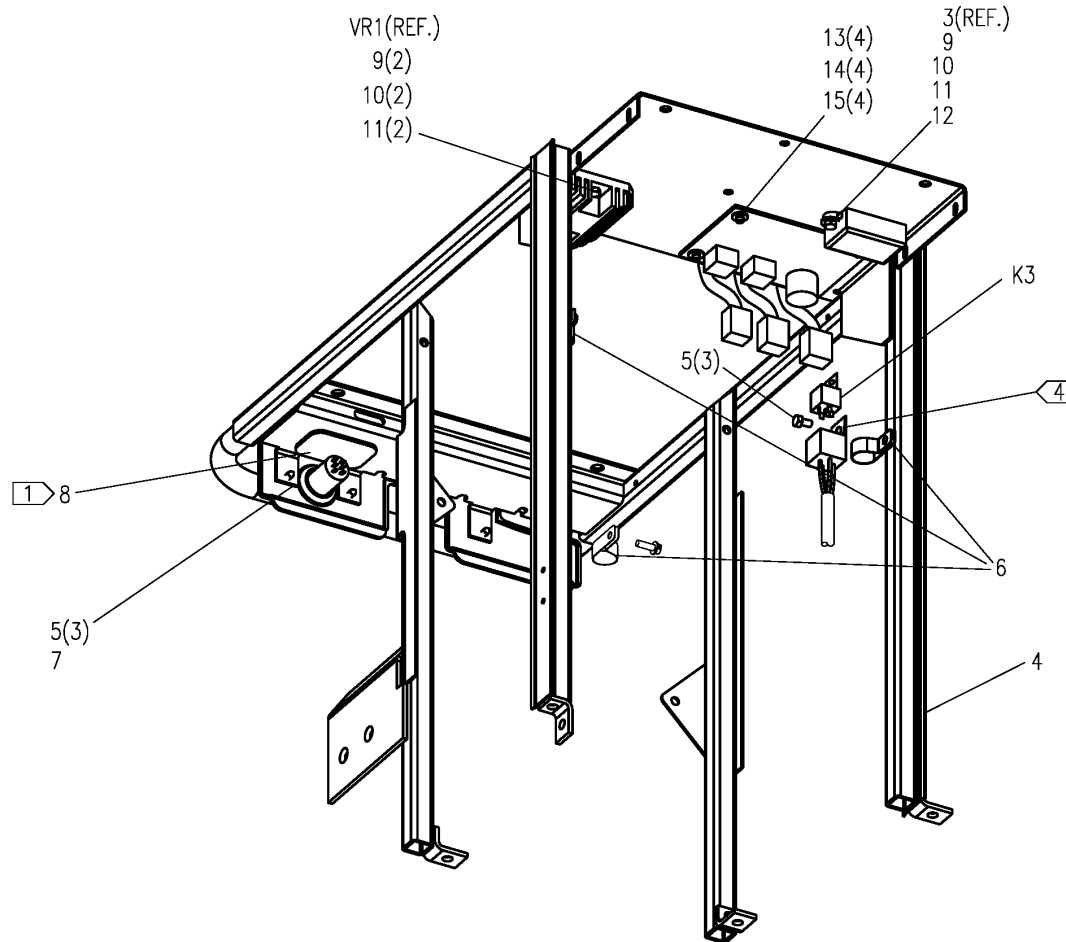
**McElroy Manufacturing, Inc.**  
 The leader by design.  
 Tulsa, Oklahoma U.S.A.

DRAWN: BEA	CHECK: MJA	APPR'VD: JRP	DATE: 10/16/06	DWG No: T1814700	SHT No: 2B	REV No: E	PART No: T1814702
TracStar® 412/TracStar® 618 AUTOMATED POWER BASE ELECTRICAL ASSEMBLY							CAD No: T1814702

NOTE: THIS DRAWING AND THE INFORMATION CONTAINED THEREIN IS THE CONFIDENTIAL AND PROPRIETARY PROPERTY OF McElroy Manufacturing, Inc. THE DRAWING IS NOT TO BE REPRODUCED IN ANY MANNER, SUBMITTED OUTSIDE PARTIES FOR EXAMINATION, OR USED DIRECTLY OR INDIRECTLY FOR THE PURPOSES OTHER THAN THOSE FOR WHICH IT WAS FURNISHED WITHOUT WRITTEN PERMISSION OF McElroy Manufacturing, Inc.

**NOTES:**

1. ATTACH ITEM #8 TO RESERVOIR SUPPORT, CENTERED ABOVE IGNITION SWITCH TO INSULATED SWITCH TERMINALS.
2. ITEMS SHOWN IN PARENTHESIS REFLECT QUANTITIES IN A LOCAL GROUP AND MAY NOT INDICATE TOTAL ASSY QUANTITIES.
3. FOR REPLACEMENT SWITCH ORDER PART NO. MDA00056 & FOR REPLACEMENT KEYS ORDER PART NO. MDA00074
4. ATTACH AUTOMOTIVE RELAY CONNECTOR FOR FUEL SOLENOID RELAY K3 USING SAME FASTENER FOR ITEM 6 3/4" LOOP CLAMP. INSERT RELAY K3 IN CONNECTOR.



## McElroy Manufacturing Parts List

**Part Number:** T1814702 TracStar 412/TracStar 618 Automated Power Base Electrical Assembly

**Part Number T1814702 Component List**

Item	Component	Description	Quantity	Unit	Price
DS1	MDA00068	Glow Plug Light MDA50,121 &	1.0	EA	66.28
HM1	MKH00109	9-64VDC Hour Meter	1.0	EA	90.50
K3	MKB00073	12V Automotive Relay	1.0	EA	32.76
S1	MDA00056	Key Switch MDA00050 & 121	1.0	EA	93.00
VR1	T1801901	Voltage Regulator Mod	1.0	EA	419.00
1	T1814801	TracStar 412/TracStar 618 Automated Wiring Harness	1.0	EA	0.00
2	T1814901	T412/T618 Auto Juncn Board Mod	1.0	EA	581.00
3	MDA00133	Glow Plug Timer MDA121 &	1.0	EA	200.00
4	T1808401	Reservoir Support	1.0	EA	2,758.00
5	MAL00007	1/4-20NCX3/4LG Hwh TF Screw	6.0	EA	0.49
6	MLJ00079	3/4 Loop Clamp	3.0	EA	3.21
7	T1809601	Molded Dash Panel	1.0	EA	116.00
8	T1212801	2X3 Rubber Pad	1.0	EA	4.50
9	MAB00003	1/4-20NCX3/4LG Hhcs	3.0	EA	0.31
10	MBA00005	1/4-20NC Fnsh Hex Nut Stl PL	3.0	EA	0.32
11	MBE00005	1/4 Reg Splt Lck Washer Stl PL	3.0	EA	0.10
12	MBF00005	1/4 TY 'a' Wide FL Wshr Stl PL	1.0	EA	0.11
13	MAC00023	#8-32NCX1/2LG Shcs PL	4.0	EA	0.39
14	MBE00003	#8 Reg Splt Lck Washer Stl PL	4.0	EA	0.05
15	MBF00003	#8 TY 'a' Wide FL Wshr Stl PL	4.0	EA	0.11

Please visit <https://fusion.mcelroy.com/parts> to purchase parts or for more information.