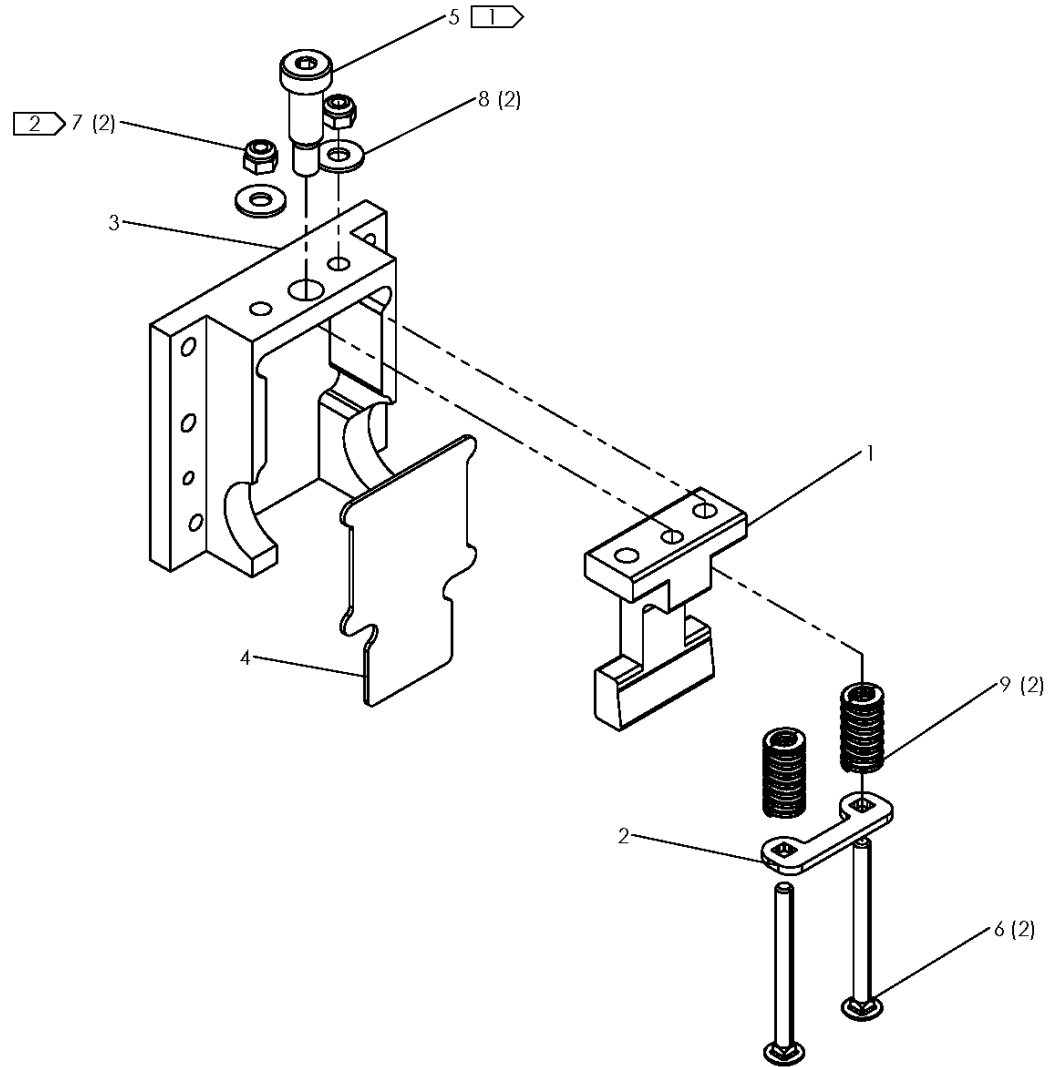
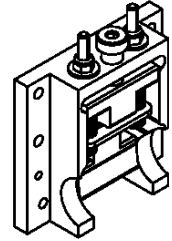


NORMALLY CLOSED BRAKE ASSEMBLY

NOTE: THIS DRAWING AND THE INFORMATION CONTAINED THEREIN IS THE CONFIDENTIAL AND PROPRIETARY PROPERTY OF McElroy Manufacturing, Inc. THE DRAWING IS NOT TO BE REPRODUCED IN ANY MANNER, SUBMITTED TO OUTSIDE PARTIES FOR EXAMINATION, OR USED DIRECTLY OR INDIRECTLY FOR THE PURPOSES OTHER THAN THOSE FOR WHICH IT WAS FURNISHED WITHOUT WRITTEN PERMISSION OF McElroy Manufacturing, Inc.

NOTES:

1. APPLY MEDIUM STRENGTH THREAD LOCKER.
2. INSTALL ITEM 7 UNTIL NYLON LOCK RING ENGAGES ITEM 6.
3. SEE TECHNICAL BULLETIN TB199 FOR BRAKE MECHANISM ADJUSTMENT PROCEDURE.



McElroy Manufacturing Parts List

Part Number: T18P0993298 Normally Closed Brake Assembly

Part Number T18P0993298 Component List

Item	Component	Description	Quantity	Unit	Price
1	T18P0993291	Locking Wedge Upper	1.0	EA	0.00
2	T18P0993300	Spring Retaining Plate	1.0	EA	0.00
3	T18P0993306	Locking Wedge Cover	1.0	EA	0.00
4	T18P1019499	Indexer Brake Wear Bushing	1.0	EA	85.23
5	MAFP1020669	1/2DIA X 1LG Skt HD Shldr Scr SS	1.0	EA	0.00
6	MAIP0993650	1/4-20NC X 2 1/2LG Crg Bolt (Effective to 6/9/24)	2.0	EA	0.00
6	MAIP1003550	1/4-20NC X 3LG Crg Bolt	2.0	EA	0.00
7	MBC00005	1/4-20NC Fnsh Hex Nyl Lck Nut	2.0	EA	0.39
8	MBF00005	1/4 TY 'a' Wide FL Wshr Stil PL	2.0	EA	0.11
9	MJEP1020667	Gold Heavy Die Spring	2.0	EA	8.70

Please visit <https://fusion.mcelroy.com/parts> to purchase parts or for more information.