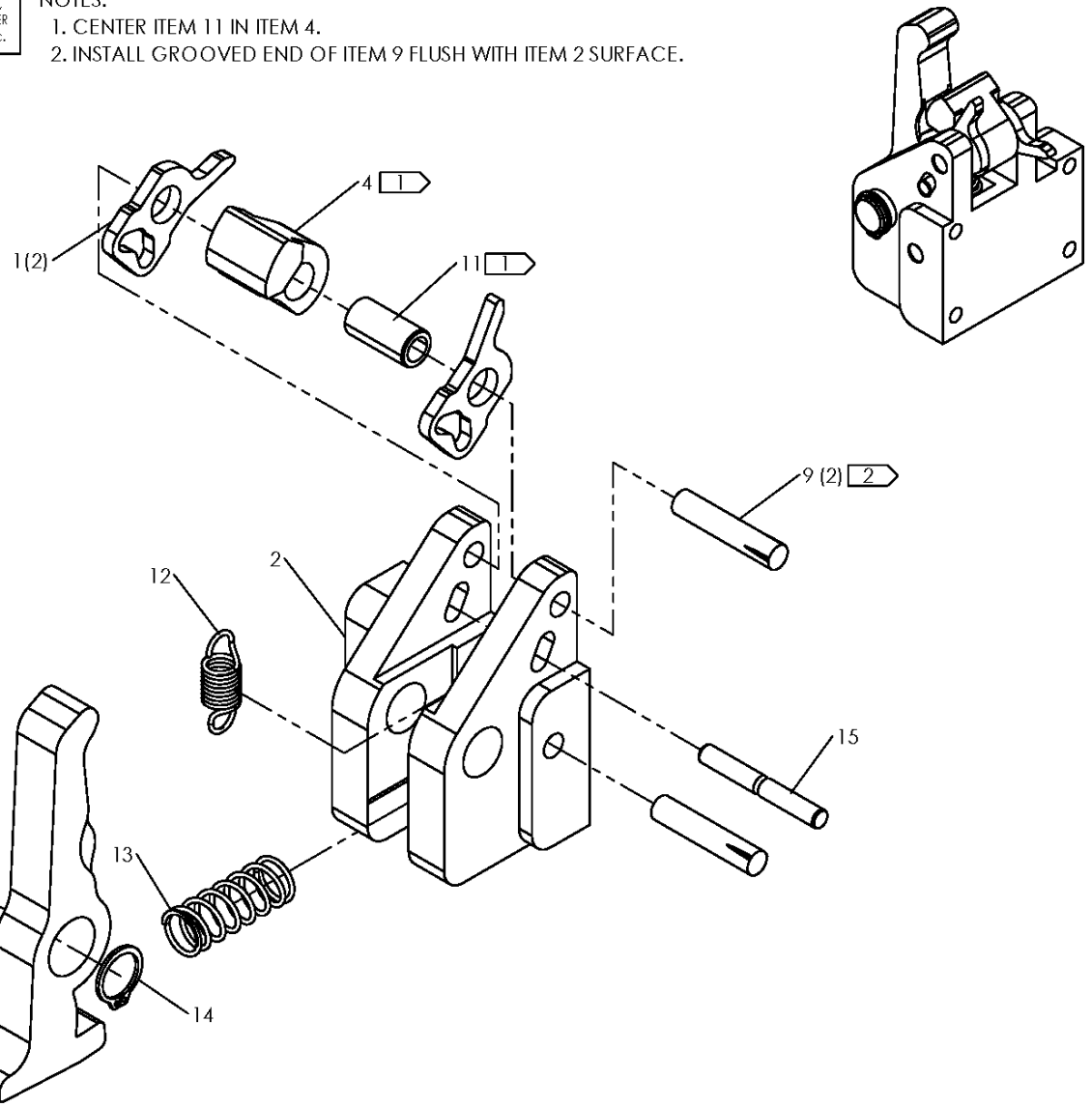
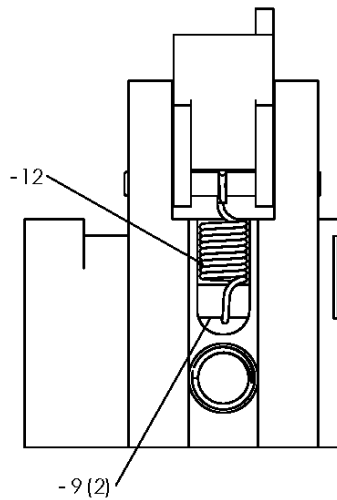


## HEATER RETENTION MECHANISM

NOTE: THIS DRAWING AND THE INFORMATION CONTAINED THEREIN IS THE CONFIDENTIAL AND PROPRIETARY PROPERTY OF McElroy Manufacturing, Inc. THE DRAWING IS NOT TO BE REPRODUCED IN ANY MANNER, SUBMITTED TO OUTSIDE PARTIES FOR EXAMINATION, OR USED DIRECTLY OR INDIRECTLY FOR THE PURPOSES OTHER THAN THOSE FOR WHICH IT WAS FURNISHED WITHOUT WRITTEN PERMISSION OF McElroy Manufacturing, Inc.

### NOTES:

1. CENTER ITEM 11 IN ITEM 4.
2. INSTALL GROOVED END OF ITEM 9 FLUSH WITH ITEM 2 SURFACE.



## McElroy Manufacturing Parts List

**Part Number:** T18P1013962 Heater Retention Mechanism

**Part Number T18P1013962 Component List**

Item	Component	Description	Quantity	Unit	Price
1	T18P1014003	Obs, Contact Support RE TB211 (Effective to 8/7/25)	2.0	EA	0.00
1	T18P1082635	Spring Toggle	2.0	EA	3.69
2	T18P1014007	Retention Mechanism Body	1.0	EA	331.00
3	T18P1018508	Heater Retention Pawl	1.0	EA	74.83
4	T18P1013969	Retention Pawl Cam	1.0	EA	160.00
5	MBG00083	#10 Nylon Washer (Effective to 6/9/24)	2.0	EA	0.00
5	MBG00085	#10 Flat Washer SS (Effective 6/10/24 to 9/23/24)	2.0	EA	0.00
6	MCFP0990207	1/2DIAX1-1/2 UL Hdlss Clv Pin (Effective to 6/9/24)	1.0	EA	0.00
6	MCFP1028976	1/2DIAX1-19/32 UL Grp Clv Pin (Effective 6/10/24 to 7/14/24)	1.0	EA	0.00
6	T18P1031459	1/2" Clevis Pin SS	1.0	EA	22.44
7	MCFP1014028	3/16DIAX1-39/64 Grp Clv Pin PL (Effective to 9/23/24)	1.0	EA	0.00
8	MCH00007	3/32DIAX1/2LG Cotter Pin (Effective to 9/23/24)	1.0	EA	0.00
9	MCM00001	1/4" OD X 1-1/4" LG Lock Pin	2.0	EA	2.16
10	MDMP1014011	Sleeve Bushing	1.0	EA	4.21
11	MDMP1020801	Sleeve Bshg	1.0	EA	4.62
12	MJEP1003053	Extension Spring	1.0	EA	8.62
13	MJEP1014033	Compression Spring	1.0	EA	3.56
14	MCDP0997522	1/2 External E Ring (Effective 6/10/24 to 7/14/24)	1.0	EA	0.50
14	MCB00086	1/2"OD Retaining Ring PL	1.0	EA	0.67
15	T18P1041747	Obs & Repl by T18P1082649 (Effective 9/24/24 to 8/7/25)	1.0	EA	0.00
15	T18P1082649	Center Groove Dowel Pin	1.0	EA	17.35

Please visit <https://fusion.mcelroy.com/parts> to purchase parts or for more information.