



McElroy Manufacturing, Inc.
The leader by design.
Tulsa, Oklahoma U.S.A.

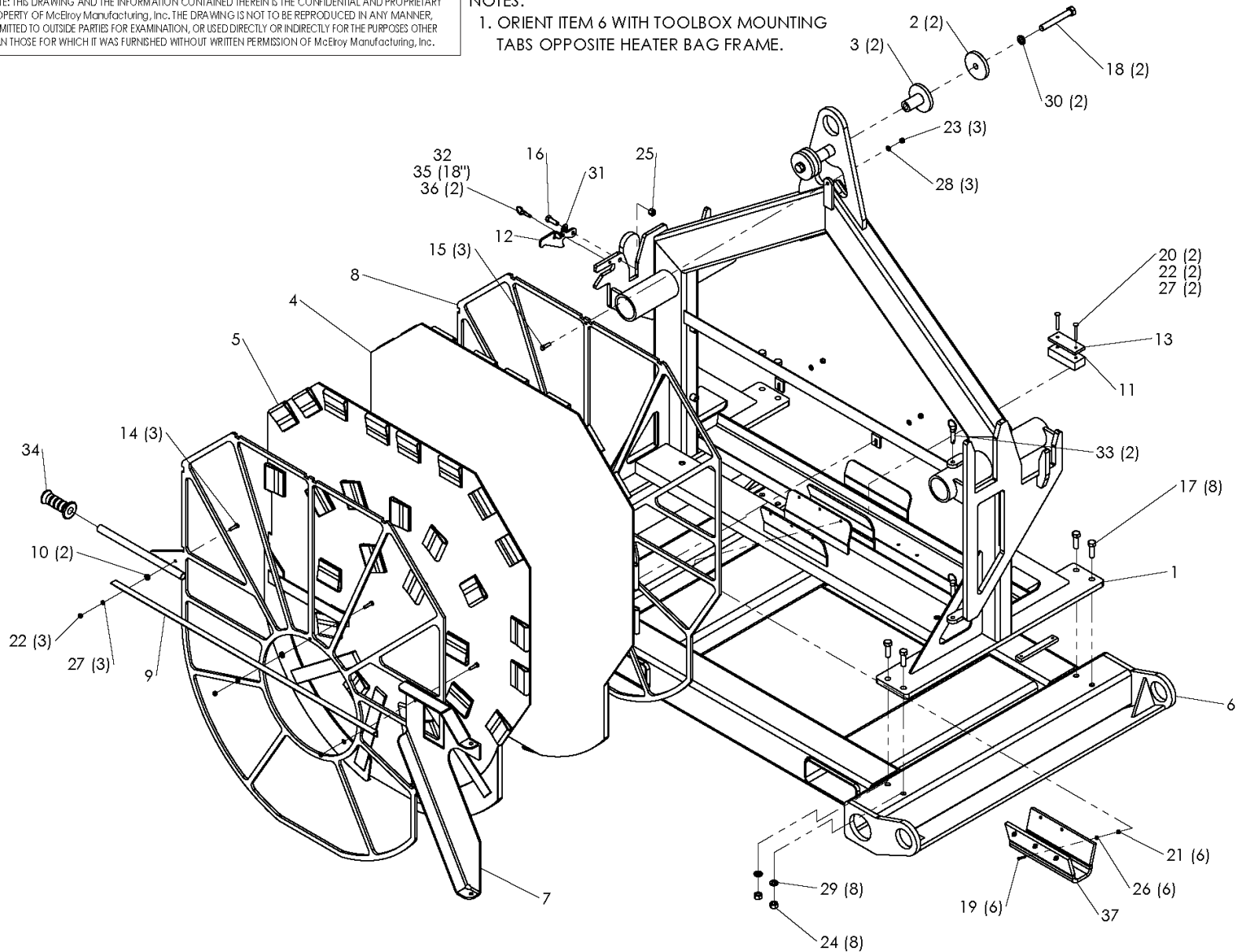
DRAWN: MRH CHECK: BOC APPRV'D: BWJ DATE: 4/5/16 SHT No: 1A REV No: B PART No: T4830001

HEATER/FACER STAND ASSEMBLY

NOTE: THIS DRAWING AND THE INFORMATION CONTAINED THEREIN IS THE CONFIDENTIAL AND PROPRIETARY PROPERTY OF McElroy Manufacturing, Inc. THE DRAWING IS NOT TO BE REPRODUCED IN ANY MANNER, SUBMITTED TO OUTSIDE PARTIES FOR EXAMINATION, OR USED DIRECTLY OR INDIRECTLY FOR THE PURPOSES OTHER THAN THOSE FOR WHICH IT WAS FURNISHED WITHOUT WRITTEN PERMISSION OF McElroy Manufacturing, Inc.

NOTES:

1. ORIENT ITEM 6 WITH TOOLBOX MOUNTING TABS OPPOSITE HEATER BAG FRAME.





McElroy Manufacturing, Inc.

The leader by design.

Tulsa, Oklahoma U.S.A.

DRAWN: MRH

CHECK: BOC

APPR'D: BWJ

DATE: 4/5/16

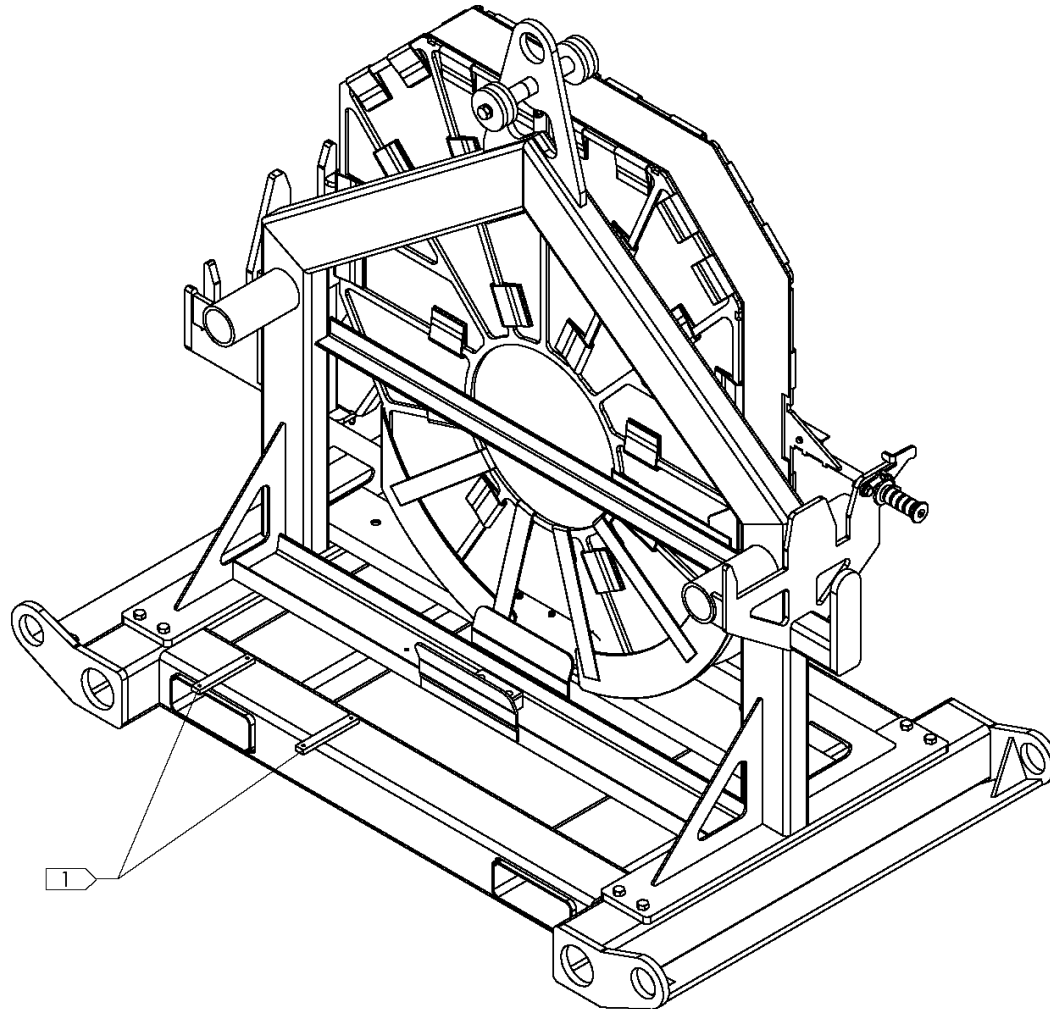
SHT No: 1B

REV No: B

PART No: T4830001

HEATER/FACER STAND ASSEMBLY

NOTE: THIS DRAWING AND THE INFORMATION CONTAINED THEREIN IS THE CONFIDENTIAL AND PROPRIETARY PROPERTY OF McElroy Manufacturing, Inc. THE DRAWING IS NOT TO BE REPRODUCED IN ANY MANNER, SUBMITTED TO OUTSIDE PARTIES FOR EXAMINATION, OR USED DIRECTLY OR INDIRECTLY FOR THE PURPOSES OTHER THAN THOSE FOR WHICH IT WAS FURNISHED WITHOUT WRITTEN PERMISSION OF McElroy Manufacturing, Inc.



McElroy Manufacturing Parts List

Part Number: T4830001 Heater/Facer Stand Assembly

Part Number T4830001 Component List

Item	Component	Description	Quantity	Unit	Price
1	T4829901	Heater & Facer Stand	1.0	EA	0.00
2	T4830801	Shipping Spacer Wld	2.0	EA	0.00
3	T4830803	Shipping Washer	2.0	EA	0.00
4	4824704	Heater Insulating Panel	1.0	EA	3,085.00
5	4824705	Heater Insulating Panel	1.0	EA	3,085.00
6	4848601	Hpu Skid	1.0	EA	0.00
7	4850701	Heat Shield Door	1.0	EA	2,332.00
8	4850801	Heat Shield Mount	1.0	EA	0.00
9	4850901	Stiffener Angle	1.0	EA	0.00
10	4851001	Spacer	2.0	EA	0.00
11	4851101	Spacer Block	1.0	EA	0.00
12	4851201	Heater Shield Latch	1.0	EA	0.00
13	4853201	Facer Rest Pad	1.0	EA	99.73
14	MAB00034	5/16-18NCX1-1/4LG Hhcs	3.0	EA	0.46
15	MAB00065	3/8-16NCX1-1/4LG Hhcs	3.0	EA	0.52
16	MAB00069	1/2-13NCX1-1/2LG Hhcs	1.0	EA	0.74
17	MAB00181	5/8-11NCX2LG Hhcs GR8	8.0	EA	2.27
18	MAB00242	3/4-10NCX5-1/2LG Hhcs GR5 PL	2.0	EA	0.00
19	MAE00035	1/4-20NCX1LG Bhscs (Effective to 5/24/17)	6.0	EA	0.00
19	MAE00147	1/4-20NCX1LG Bhscs PL	6.0	EA	0.51
20	MAI00003	5/16-18NC X 2-1/2LG Crg Bolt	2.0	EA	0.79
21	MBA00005	1/4-20NC Fnsh Hex Nut Stl PL	6.0	EA	0.32
22	MBA00006	5/16-18NC Fnsh Hex Nut Stl PL	5.0	EA	0.33
23	MBA00007	3/8-16NC Fnsh Hex Nut Stl PL	3.0	EA	0.29
24	MBA00011	5/8-11NC Fnsh Hex Nut Stl PL	8.0	EA	0.70
25	MBC00009	1/2-13NC Fnsh Hex Nyl Lck Nut	1.0	EA	0.73
26	MBE00005	1/4 Reg Splt Lck Washer Stl PL	6.0	EA	0.10
27	MBE00006	5/16 Reg Splt Lck Wshr Stl PL	5.0	EA	0.11
28	MBE00007	3/8 Reg Splt Lck Wshr Stl PL	3.0	EA	0.12
29	MBE00011	5/8 Reg Splt Lck Washer Stl PL	8.0	EA	0.63
30	MBE00012	3/4 Reg Splt Lck Washer Stl PL	2.0	EA	0.54
31	MBG00017	1/2 Ty'a' Nar Sae FL Wsh Stlpl	1.0	EA	0.12
32	MCE00022	5/16DIA X 0.75 Grip Detent Pin	1.0	EA	58.00
33	MCE00036	1/2DIA X 1.50 Grip Detent Pin	2.0	EA	0.00
34	MJJ00009	1" Black Gloss Hand Grip	1.0	EA	3.86
35	MJQ00025	.045 Dia Coated Cable	1.5	FT	1.12
36	MJQ00026	Ferrule	2.0	EA	1.01
37	MJQ00508	1/2X12X12 HI Temp Silicone Sht	1.0	EA	267.00

Please visit <https://fusion.mcelroy.com/parts> to purchase parts or for more information.