

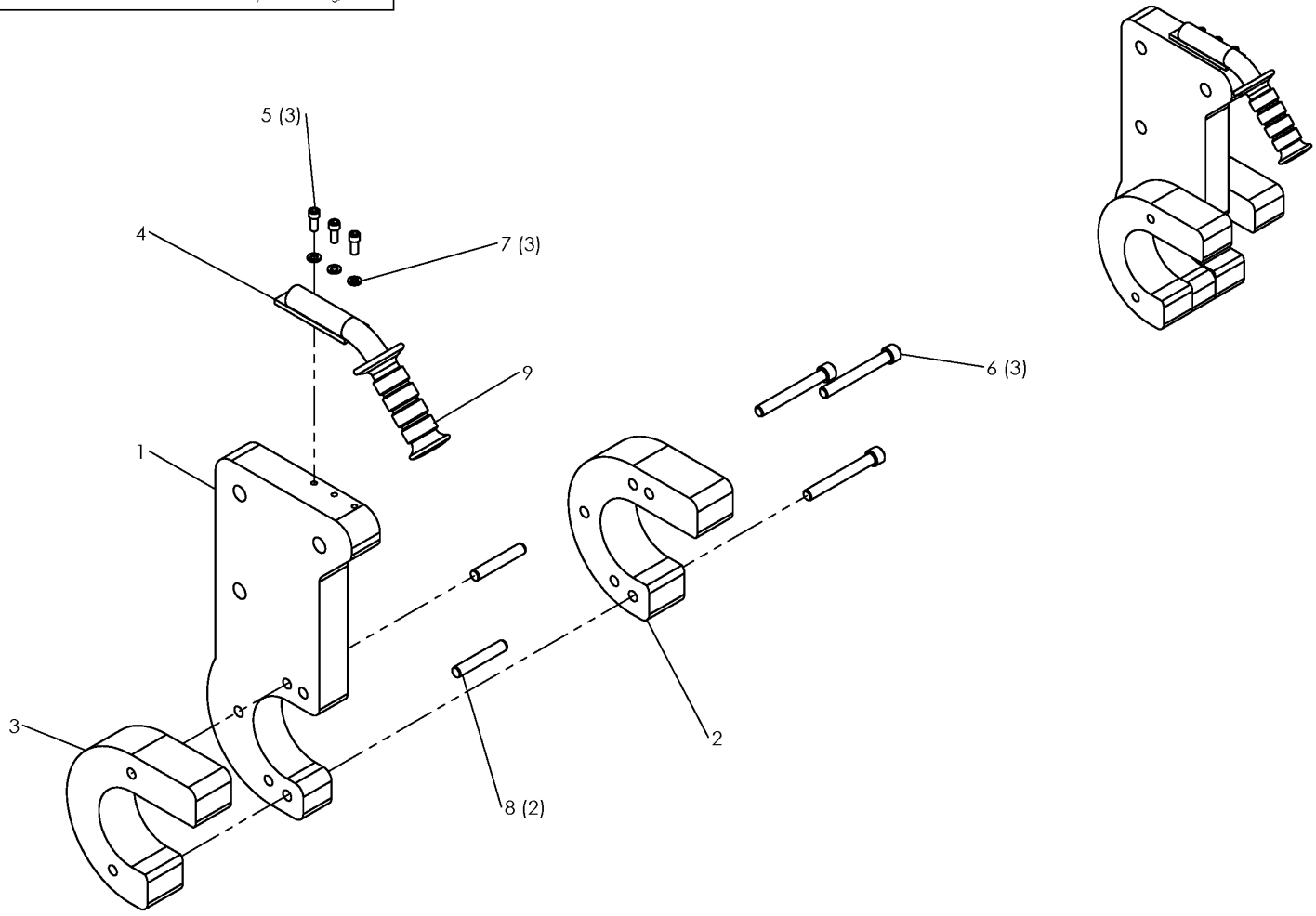


McElroy Manufacturing, Inc.  
The leader by design.  
Tulsa, Oklahoma U.S.A.

DRAWN: MRH    CHECK: BOC    APPRVD: BWJ    DATE: 4/5/16    SHT No: 1    REV No:    PART No: T4831101

FACER GUIDE ROD BRACKET ASSEMBLY

NOTE: THIS DRAWING AND THE INFORMATION CONTAINED THEREIN IS THE CONFIDENTIAL AND PROPRIETARY PROPERTY OF McElroy Manufacturing, Inc. THE DRAWING IS NOT TO BE REPRODUCED IN ANY MANNER, SUBMITTED TO OUTSIDE PARTIES FOR EXAMINATION, OR USED DIRECTLY OR INDIRECTLY FOR THE PURPOSES OTHER THAN THOSE FOR WHICH IT WAS FURNISHED WITHOUT WRITTEN PERMISSION OF McElroy Manufacturing, Inc.



### McElroy Manufacturing Parts List

**Part Number:** T4831101 Facer Guide Rod Bracket Assembly

**Part Number T4831101 Component List**

Item	Component	Description	Quantity	Unit	Price
1	4850001	Facer Guide Rod Bracket	1.0	EA	0.00
2	4850302	Left Guide Bracket Yoke	1.0	EA	0.00
3	4850303	Right Guide Bracket Yoke	1.0	EA	0.00
4	T9026001	Heater Handle Wld	1.0	EA	328.00
5	MAC00073	5/16-18NCX3/4LG Shcs PL	3.0	EA	1.14
6	MAC00451	1/2-13NCX4LG Shcs PL	3.0	EA	6.20
7	MBE00006	5/16 Reg Splt Lck Wshr Stl PL	3.0	EA	0.11
8	MCI00010	1/2DIA X3LG Dowel Pin	2.0	EA	6.01
9	MJJ00009	1" Black Gloss Hand Grip	1.0	EA	3.86

Please visit <https://fusion.mcelroy.com/parts> to purchase parts or for more information.

