



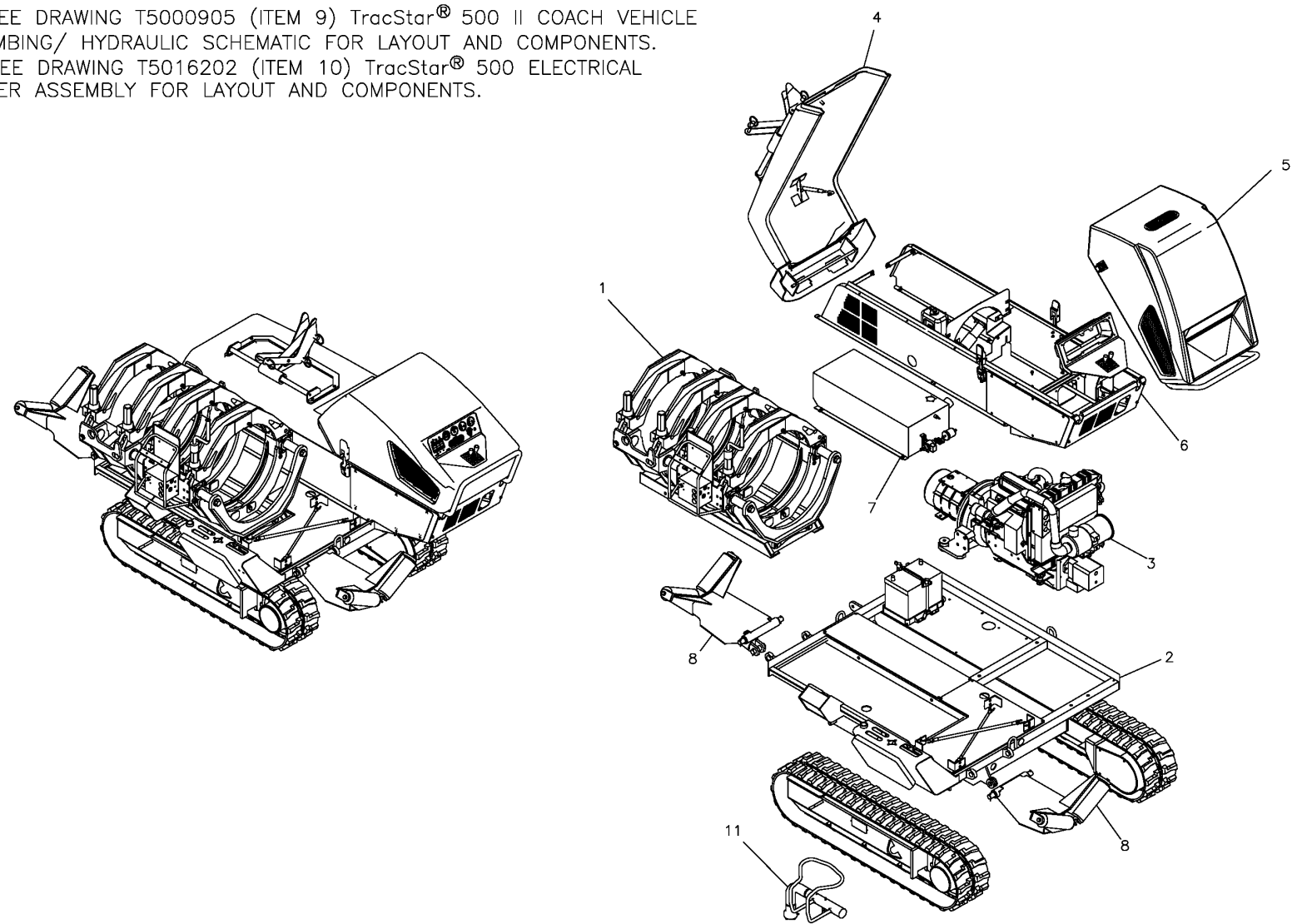
McElroy Manufacturing, Inc.
The leader by design.
Tulsa, Oklahoma U.S.A.

DRAWN: JAB CHECK: SWB APPRV'D: SWB DATE: 01/13/06 SHT No: 1 REV No: PART No: T5000103_05

TracStar® 500 II COACH FUSION MACHINE ASSEMBLY

NOTE: THIS DRAWING AND THE INFORMATION CONTAINED THEREIN IS THE CONFIDENTIAL AND PROPRIETARY PROPERTY OF McElroy Manufacturing, Inc. THE DRAWING IS NOT TO BE REPRODUCED IN ANY MANNER, SUBMITTED OUTSIDE PARTIES FOR EXAMINATION, OR USED DIRECTLY OR INDIRECTLY FOR THE PURPOSES OTHER THAN THOSE FOR WHICH IT WAS FURNISHED WITHOUT WRITTEN PERMISSION OF McElroy Manufacturing, Inc.

- NOTES:
1. SEE DRAWING T5000905 (ITEM 9) TracStar® 500 II COACH VEHICLE PLUMBING/ HYDRAULIC SCHEMATIC FOR LAYOUT AND COMPONENTS.
 2. SEE DRAWING T5016202 (ITEM 10) TracStar® 500 ELECTRICAL POWER ASSEMBLY FOR LAYOUT AND COMPONENTS.



McElroy Manufacturing Parts List

Part Number: T5000103 TracStar 500 II Coach MF Fusion Machine Assembly (Obsolete)

Part Number T5000103 Component List

Item	Component	Description	Quantity	Unit	Price
1	AT5000404	T500 II Coach MF Crg Assy Pkg	1.0	EA	0.00
2	T5000202	TracStar 500 II Chassis Assembly	1.0	EA	0.00
3	T5000303	TracStar 500 II Diesel Power Pack Assembly	1.0	EA	0.00
4	T5006001	TracStar 500 Front Hood Assembly	1.0	EA	5,299.00
5	T5014702	TracStar 500 II Rear Hood Assembly	1.0	EA	3,548.00
6	T5013725	TracStar 500 II Sheet Metal Assembly	1.0	EA	0.00
7	T5014601	TracStar 500 Fuel Tank Assembly	1.0	EA	1,493.00
8	T1804501	TracStar 500/TracStar 412/TracStar 618 Pipe Lift Assembly	2.0	EA	2,948.00
9	T5000905	TracStar 500 II Coach Equipped Vehicle Plumbing/Hydraulic Schematic	1.0	EA	0.00
10	T5016202	TracStar 500 Electrical Power Assembly	1.0	EA	0.00
11	T5009901	TracStar 500 Pendant Arm Assembly	1.0	EA	0.00
12	T5024902	Mmi Joint Reporter CD Assembly (Effective 4/21/06 to 5/30/07)	1.0	EA	0.00

Please visit <https://fusion.mcelroy.com/parts> to purchase parts or for more information.

