

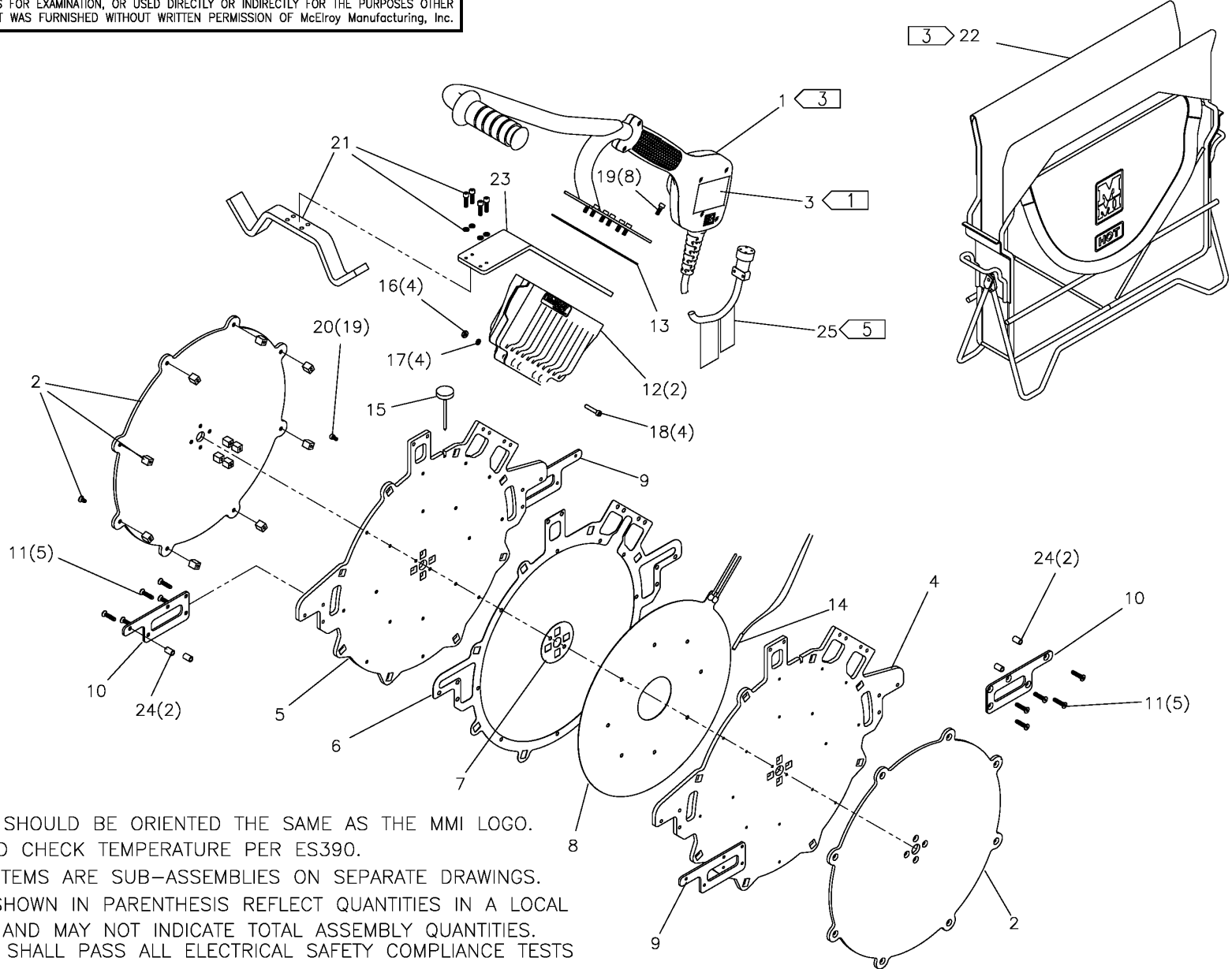


McElroy Manufacturing, Inc.
 The leader by design.
 Tulsa, Oklahoma U.S.A.

| | | | | | | |
|---|------------|--------------|----------------|------------------|-----------|-----------|
| DRAWN: BWW | CHECK: TMT | APPRV'D: JRP | DATE: 02/27/02 | DWG No: T5008400 | SHT No: 2 | REV No: H |
| TracStar® 500 II HEATER ASSEMBLY (6"IPS-12"DIPS) 220-240V,50/60Hz,1Ph | | | | | | |

| | |
|----------|----------|
| PART No: | T5008402 |
| CAD No: | T5008402 |

NOTE: THIS DRAWING AND THE INFORMATION CONTAINED THEREIN IS THE CONFIDENTIAL AND PROPRIETARY PROPERTY OF McElroy Manufacturing, Inc. THE DRAWING IS NOT TO BE REPRODUCED IN ANY MANNER, SUBMITTED OUTSIDE PARTIES FOR EXAMINATION, OR USED DIRECTLY OR INDIRECTLY FOR THE PURPOSES OTHER THAN THOSE FOR WHICH IT WAS FURNISHED WITHOUT WRITTEN PERMISSION OF McElroy Manufacturing, Inc.



NOTES:

1. ITEM 3 SHOULD BE ORIENTED THE SAME AS THE MMI LOGO.
2. SET AND CHECK TEMPERATURE PER ES390.
3. THESE ITEMS ARE SUB-ASSEMBLIES ON SEPARATE DRAWINGS.
4. ITEMS SHOWN IN PARENTHESIS REFLECT QUANTITIES IN A LOCAL GROUP AND MAY NOT INDICATE TOTAL ASSEMBLY QUANTITIES.
5. HEATER SHALL PASS ALL ELECTRICAL SAFETY COMPLIANCE TESTS PER ES497 BEFORE INSTALLING ELECTRICAL SAFETY TEST LABEL.

McElroy Manufacturing Parts List

Part Number: T5008402 Obsolete & Replaced by T5078501 (TracStar 500 II 6IPS-12DIPS 240V Heater Assembly NON GFCI)



This Heater comes equipped with a 4 Pin Bayonet Plug

Part Number T5008402 Component List

| Item | Component | Description | Quantity | Unit | Price |
|------|-----------|--|----------|------|----------|
| 1 | T5033601 | TracStar 500 II 240V Heater Handle/Controller Assembly | 1.0 | EA | 804.00 |
| 2 | A1242108 | 12 Heater Butt Plate Kit | 1.0 | EA | 894.00 |
| 3 | 816399 | Model T5008402 Part NO Label | 1.0 | EA | 16.73 |
| 4 | 1242103 | Right Heater Body | 1.0 | EA | 728.00 |
| 5 | 1242104 | Left Heater Body | 1.0 | EA | 728.00 |
| 6 | 1242105 | Heater O.d. Spacer | 1.0 | EA | 113.00 |
| 7 | 1242106 | Heater I.d. Spacer | 1.0 | EA | 16.51 |
| 8 | 1242201 | 240V Mica/foil Heater Element | 1.0 | EA | 926.00 |
| 9 | T5008601 | Tapped Htr Guide Rod Sprt Brkt | 2.0 | EA | 76.97 |
| 10 | T5008602 | C'sunk Htr Guide Rod Sprt Brkt | 2.0 | EA | 76.97 |
| 11 | MAN00036 | #10-32NFX7/8LG Fhscs SS | 10.0 | EA | 0.41 |
| 12 | 1863102 | Htr Terminal Enclosure Half | 2.0 | EA | 53.85 |
| 13 | 1808102 | Htr Gasket | 1.0 | EA | 5.26 |
| 14 | MKI00003 | 1X3/16 316SS 100OHM Plat Rtd | 1.0 | EA | 64.04 |
| 15 | MJK00002 | 2.5LG,150-650DEG F Thermometer | 1.0 | EA | 48.72 |
| 16 | MBA00004 | #10-24NC Hex Nut Stl PL | 4.0 | EA | 0.35 |
| 17 | MBE00004 | #10 Reg Splt Lck Washer Stl PL | 4.0 | EA | 0.10 |
| 18 | MAN00008 | #10-24NCX1LG Shcs SS | 4.0 | EA | 0.49 |
| 19 | MAC00038 | #10-24NCX3/4LG Shcs SS | 8.0 | EA | 0.50 |
| 20 | MAN00023 | #8-32NCX5/16LG Shcs SS | 19.0 | EA | 0.49 |
| 21 | AT5026701 | Heater Stripper Bar Kit | 1.0 | EA | 282.00 |
| 22 | T5008310 | TracStar 500 II Heater Bag & Frame Assembly | 1.0 | EA | 1,002.00 |
| 23 | 1863202 | Stripper Bar Bracket | 1.0 | EA | 203.00 |
| 24 | MLN00402 | #10 X 5/16OD X 1/2LG Spacer | 4.0 | EA | 1.32 |
| 25 | 8163210 | Electrical Safety Test Label | 1.0 | EA | 0.00 |

Please visit <https://fusion.mcelroy.com/parts> to purchase parts or for more information.