



McElroy Manufacturing, Inc.
 The leader by design.
 Tulsa, Oklahoma U.S.A.

DRAWN: RLE CHECK: MLM APPRV'D: SWB DATE: 12/15/04

DWG No: T5008400

SHT No: 3

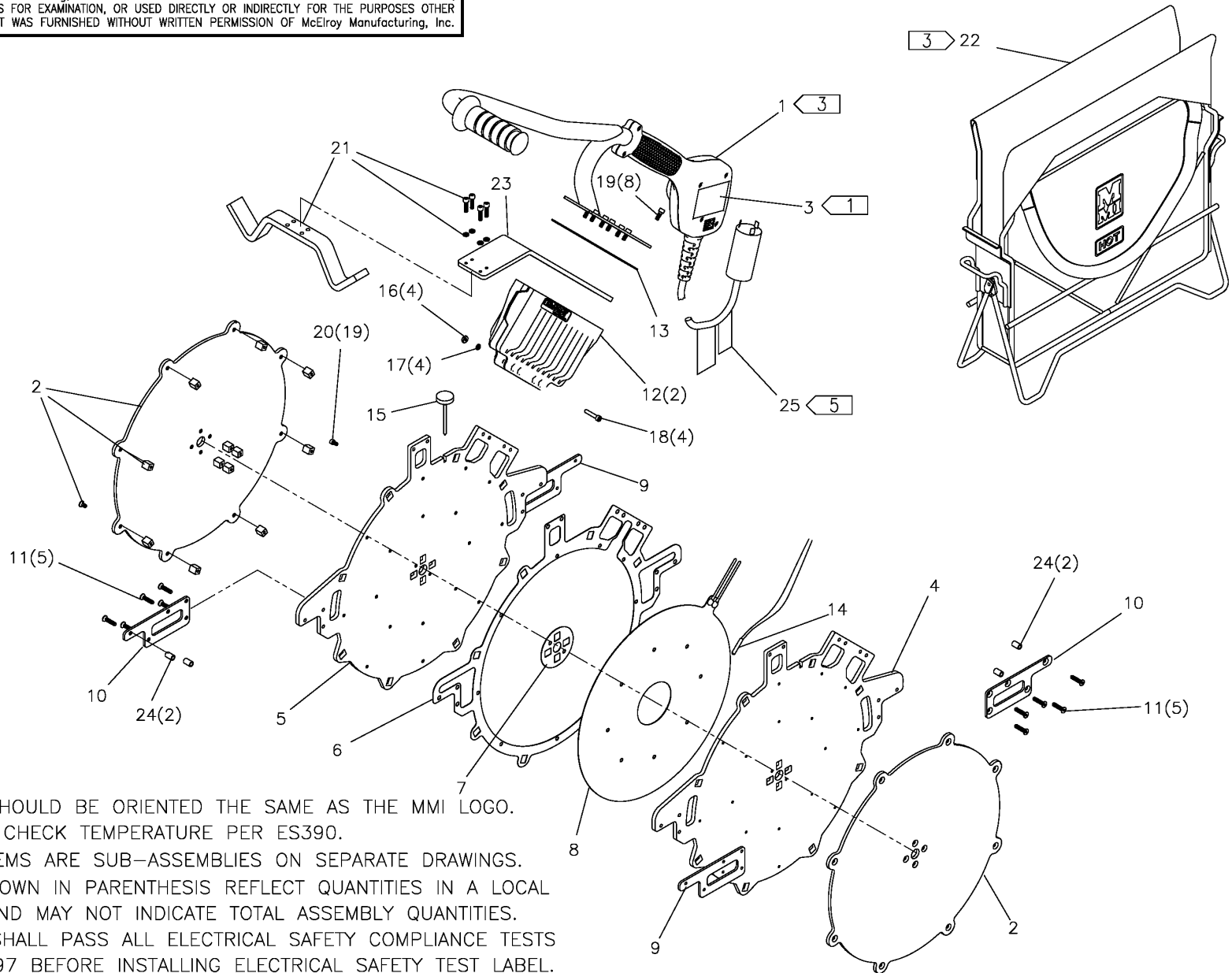
REV No: C

PART No: T5008403

Pit Bull® 500 II HEATER ASSEMBLY (6"-12" DIPS) 220-240V,50/60Hz,1Ph

CAD No: T5008403

NOTE: THIS DRAWING AND THE INFORMATION CONTAINED THEREIN IS THE CONFIDENTIAL AND PROPRIETARY PROPERTY OF McElroy Manufacturing, Inc. THE DRAWING IS NOT TO BE REPRODUCED IN ANY MANNER, SUBMITTED OUTSIDE PARTIES FOR EXAMINATION, OR USED DIRECTLY OR INDIRECTLY FOR THE PURPOSES OTHER THAN THOSE FOR WHICH IT WAS FURNISHED WITHOUT WRITTEN PERMISSION OF McElroy Manufacturing, Inc.



NOTES:

1. ITEM 3 SHOULD BE ORIENTED THE SAME AS THE MMI LOGO.
2. SET AND CHECK TEMPERATURE PER ES390.
3. THESE ITEMS ARE SUB-ASSEMBLIES ON SEPARATE DRAWINGS.
4. ITEMS SHOWN IN PARENTHESIS REFLECT QUANTITIES IN A LOCAL GROUP AND MAY NOT INDICATE TOTAL ASSEMBLY QUANTITIES.
5. HEATER SHALL PASS ALL ELECTRICAL SAFETY COMPLIANCE TESTS PER ES497 BEFORE INSTALLING ELECTRICAL SAFETY TEST LABEL.

McElroy Manufacturing Parts List

Part Number: T5008403 Obsolete & Replaced by T5078601 (PitBull 500 6IPS-12DIPS 240V Heater Assembly)



This Heater comes equipped with 20AMP Twist-Lock Plug (NEMA L6-20P)

Part Number T5008403 Component List

Item	Component	Description	Quantity	Unit	Price
1	T5033701	PitBull 500 II 240V Heater Handle/Controller Assembly	1.0	EA	770.00
2	A1242108	12 Heater Butt Plate Kit	1.0	EA	894.00
3	8163134	Model T5008403 Part NO Label	1.0	EA	32.85
4	1242103	Right Heater Body	1.0	EA	728.00
5	1242104	Left Heater Body	1.0	EA	728.00
6	1242105	Heater O.d. Spacer	1.0	EA	113.00
7	1242106	Heater I.d. Spacer	1.0	EA	16.51
8	1242201	240V Mica/foil Heater Element	1.0	EA	926.00
9	T5008601	Tapped Htr Guide Rod Sprt Brkt	2.0	EA	76.97
10	T5008602	C'sunk Htr Guide Rod Sprt Brkt	2.0	EA	76.97
11	MAN00036	#10-32NFX7/8LG Fhscs SS	10.0	EA	0.41
12	1863102	Htr Terminal Enclosure Half	2.0	EA	53.85
13	1808102	Htr Gasket	1.0	EA	5.26
14	MKI00003	1X3/16 316SS 100OHM Plat Rtd	1.0	EA	64.04
15	MJK00002	2.5LG,150-650DEG F Thermometer	1.0	EA	48.72
16	MBA00004	#10-24NC Hex Nut Stl PL	4.0	EA	0.35
17	MBE00004	#10 Reg Splt Lck Washer Stl PL	4.0	EA	0.10
18	MAN00008	#10-24NCX1LG Shcs SS	4.0	EA	0.49
19	MAC00038	#10-24NCX3/4LG Shcs SS	8.0	EA	0.50
20	MAN00023	#8-32NCX5/16LG Shcs SS	19.0	EA	0.49
21	AT5026701	Heater Stripper Bar Kit	1.0	EA	282.00
22	T5008310	TracStar 500 II Heater Bag & Frame Assembly	1.0	EA	1,002.00
23	1863202	Stripper Bar Bracket	1.0	EA	203.00
24	MLN00402	#10 X 5/16OD X 1/2LG Spacer	4.0	EA	1.32
25	8163210	Electrical Safety Test Label	1.0	EA	0.00

Please visit <https://fusion.mcelroy.com/parts> to purchase parts or for more information.