

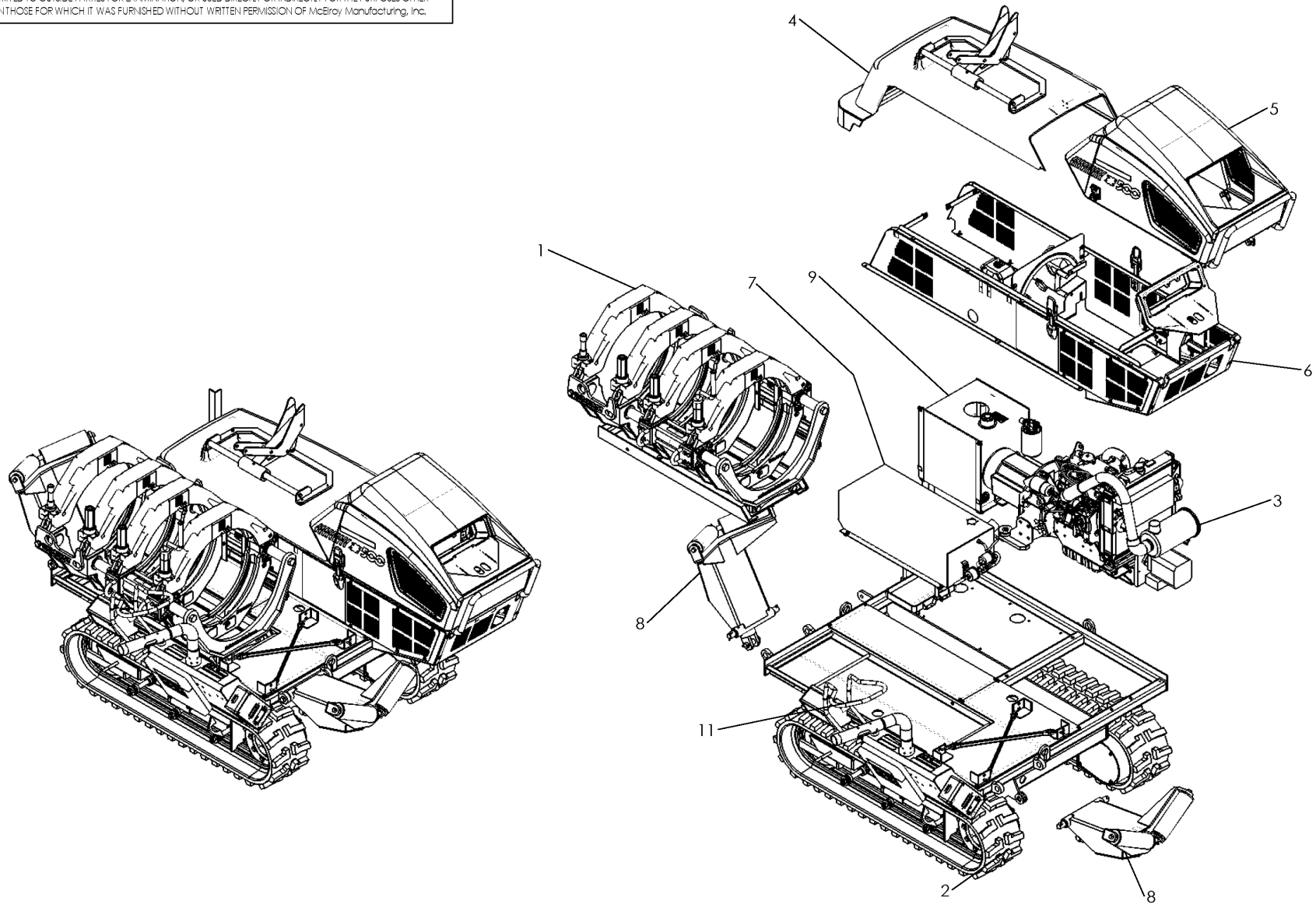


McElroy Manufacturing, Inc.
The leader by design.
Tulsa, Oklahoma U.S.A.

DRAWN: ERA CHECK: TKD APPRVD: MRP DATE: 09/20/11 SHT No: 3 REV No: PART No: T5036103_04

TracStar® 500 II AUTOMATED FUSION MACHINE

NOTE: THIS DRAWING AND THE INFORMATION CONTAINED THEREIN IS THE CONFIDENTIAL AND PROPRIETARY PROPERTY OF McElroy Manufacturing, Inc. THE DRAWING IS NOT TO BE REPRODUCED IN ANY MANNER, SUBMITTED TO OUTSIDE PARTIES FOR EXAMINATION, OR USED DIRECTLY OR INDIRECTLY FOR THE PURPOSES OTHER THAN THOSE FOR WHICH IT WAS FURNISHED WITHOUT WRITTEN PERMISSION OF McElroy Manufacturing, Inc.



McElroy Manufacturing Parts List

Part Number: T5036104 Obsolete (TracStar 500 II Automated Medium Force Fusion Machine) (-6/2015)

Part Number T5036104 Component List

Item	Component	Description	Quantity	Unit	Price
1	AT5000409	T500 II Auto MF Crg Assy Pkg	1.0	EA	0.00
2	T5000203	TracStar 500 II Chassis Assembly	1.0	EA	0.00
3	T5000303	TracStar 500 II Diesel Power Pack Assembly	1.0	EA	0.00
4	T5006001	TracStar 500 Front Hood Assembly	1.0	EA	5,299.00
5	T5014702	TracStar 500 II Rear Hood Assembly	1.0	EA	3,548.00
6	T5013725	TracStar 500 II Sheet Metal Assembly	1.0	EA	0.00
7	T5014601	TracStar 500 Fuel Tank Assembly	1.0	EA	1,493.00
8	T1804501	TracStar 500/TracStar 412/TracStar 618 Pipe Lift Assembly	2.0	EA	2,948.00
9	T5000907	TracStar 500 II Coach Equipped Vehicle Plumbing/Hydraulic Schematic	1.0	EA	0.00
10	T5016204	TracStar 500 II Automated Electrical Power Assembly	1.0	EA	0.00
11	T5009901	TracStar 500 Pendant Arm Assembly	1.0	EA	0.00

Please visit <https://fusion.mcelroy.com/parts> to purchase parts or for more information.