

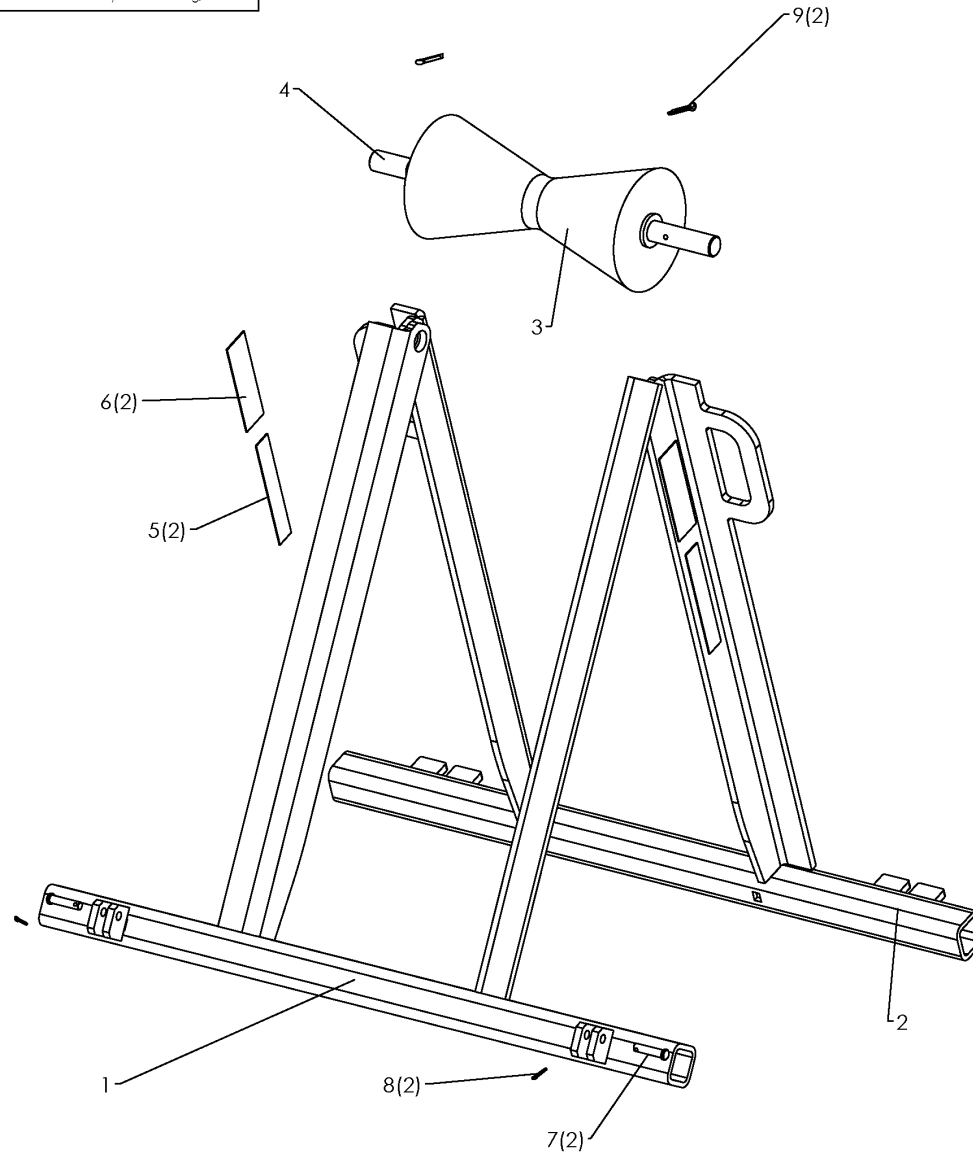


McElroy Manufacturing, Inc.
The leader by design.
Tulsa, Oklahoma U.S.A.

DRAWN: CLA	CHECK: BWJ	APPRVD: JBC	DATE: 9/11/2018	SHT No: 1	REV No:	PART No: T5070901
------------	------------	-------------	-----------------	-----------	---------	-------------------

12/18/500 PIPE STAND

NOTE: THIS DRAWING AND THE INFORMATION CONTAINED THEREIN IS THE CONFIDENTIAL AND PROPRIETARY PROPERTY OF McElroy Manufacturing, Inc. THE DRAWING IS NOT TO BE REPRODUCED IN ANY MANNER, SUBMITTED TO OUTSIDE PARTIES FOR EXAMINATION, OR USED DIRECTLY OR INDIRECTLY FOR THE PURPOSES OTHER THAN THOSE FOR WHICH IT WAS FURNISHED WITHOUT WRITTEN PERMISSION OF McElroy Manufacturing, Inc.



McElroy Manufacturing Parts List

Part Number: T5070901 12/18/500 Pipe Stand

Part Number T5070901 Component List

Item	Component	Description	Quantity	Unit	Price
1	T5071001	Pipe Stand Inner Leg	1.0	EA	537.00
2	T5071002	Pipe Stand Outer Leg	1.0	EA	537.00
3	T5070501	Roller W/ Bushings	1.0	EA	520.00
4	T5071101	Roller Shaft	1.0	EA	98.27
5	8163234	McElroy Branding Label	2.0	EA	7.07
6	8163298	2750 LB Load Rating Label	2.0	EA	17.54
7	MCF00018	3/8DIAX1-25/64 Grip Clv Pin PL	2.0	EA	2.27
8	MCH00001	1/8DIAX1LG Cotter Pin	2.0	EA	0.12
9	MCH00003	3/16DIAX1-1/2LG Cotter Pin	2.0	EA	0.15
10	MDG00052	5/16 Chain X 5 Ft/app 49 Links	2.0	EA	75.24

Please visit <https://fusion.mcelroy.com/parts> to purchase parts or for more information.

