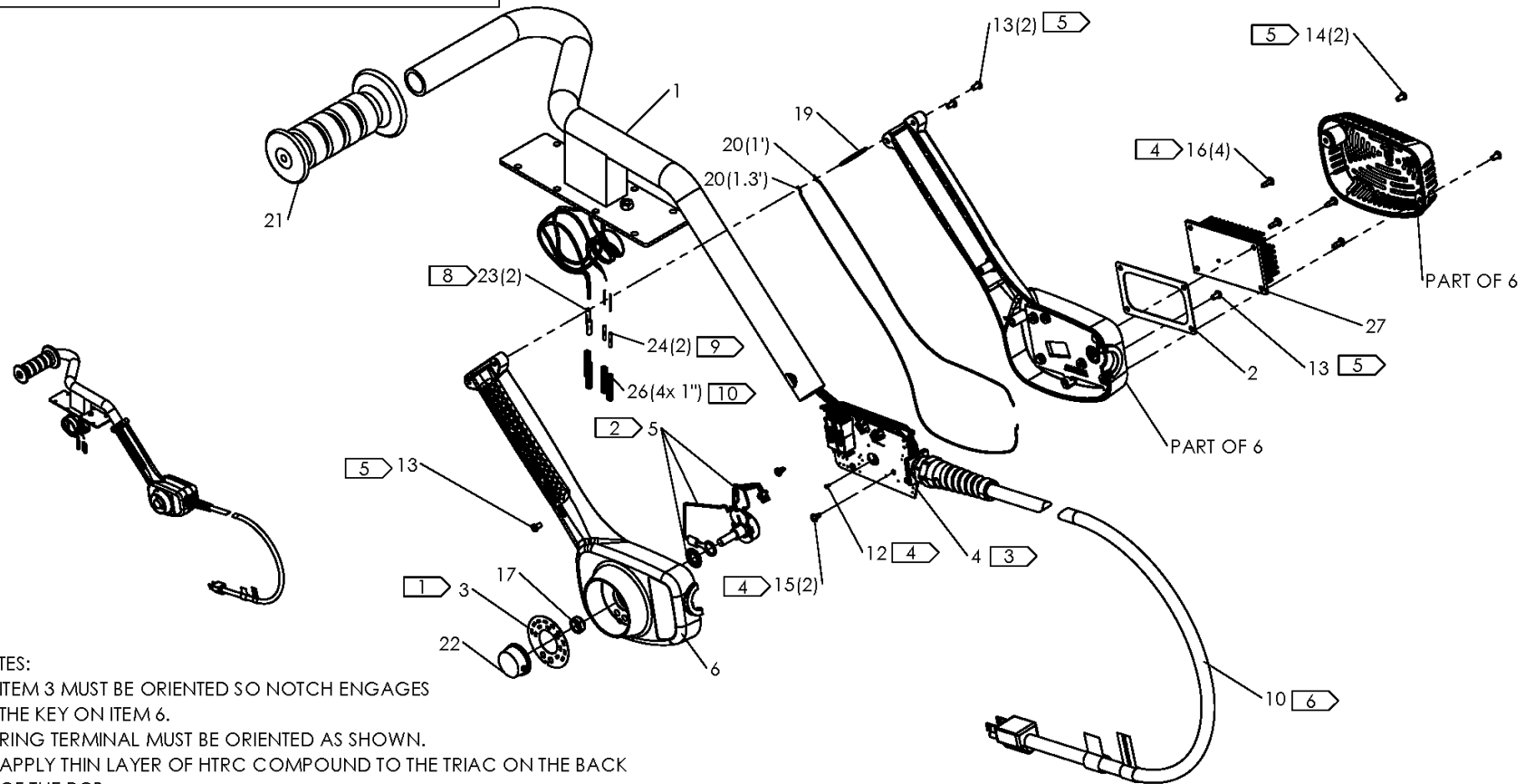


LIGHTWEIGHT ACROBAT 120V WITH NEMA 5-15 HEATER AND CONTROLLER ASSEMBLY

NOTE: THIS DRAWING AND THE INFORMATION CONTAINED THEREIN IS THE CONFIDENTIAL AND PROPRIETARY PROPERTY OF McElroy Manufacturing, Inc. THE DRAWING IS NOT TO BE REPRODUCED IN ANY MANNER, SUBMITTED TO OUTSIDE PARTIES FOR EXAMINATION, OR USED DIRECTLY OR INDIRECTLY FOR THE PURPOSES OTHER THAN THOSE FOR WHICH IT WAS FURNISHED WITHOUT WRITTEN PERMISSION OF McElroy Manufacturing, Inc.

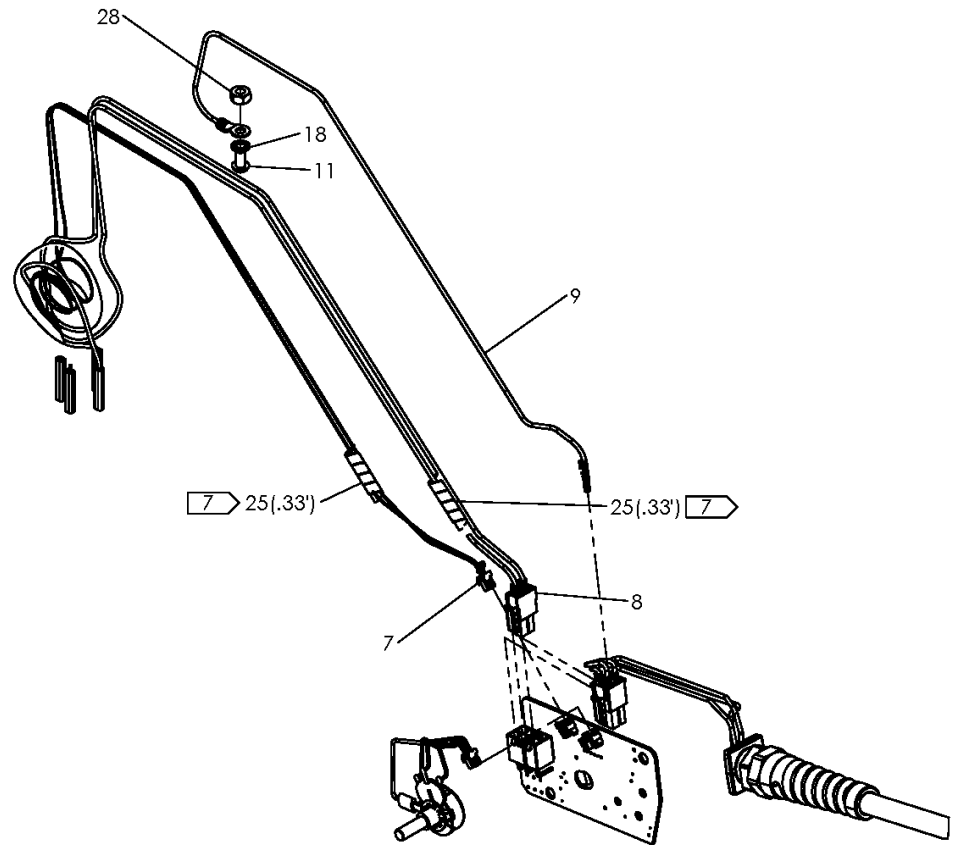
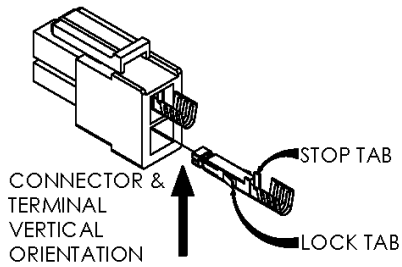
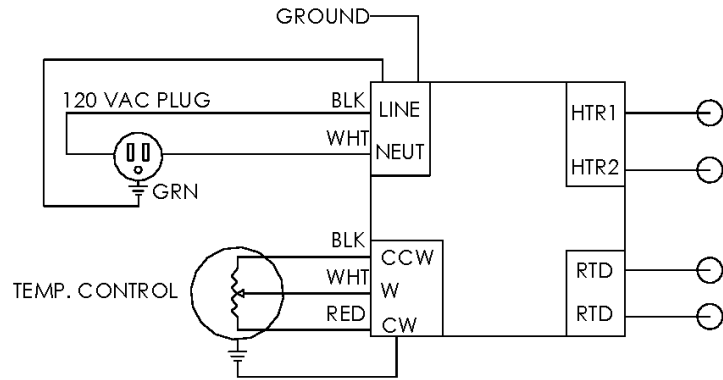


NOTES:

1. ITEM 3 MUST BE ORIENTED SO NOTCH ENGAGES THE KEY ON ITEM 6.
2. RING TERMINAL MUST BE ORIENTED AS SHOWN.
3. APPLY THIN LAYER OF HTRC COMPOUND TO THE TRIAC ON THE BACK OF THE PCB
4. TORQUE TO 5 IN-LBS.
5. TORQUE TO 23 IN-LBS.
6. THE STRAIN RELIEF OF THE POWER CORD SHOULD ALREADY BE TORQUED TO 20 IN-LBS.
7. APPLY ITEM #25 TO ITEM #8 AND #7 APPROXIMATELY AS SHOWN TO PROTECT AGAINST SHARP EDGES ON ITEM #1. COMPONENT WIRES SHOULD BE TAPED SEPARATELY FROM OTHER COMPONENTS.
8. INSTALL ITEM #23 (MLM00012) WITH PANDUIT CT1570 TOOL USING 16-14 POCKET.
9. INSTALL ITEM #24 (MLM00040) WITH PANDUIT CT1570 TOOL USING 22-18 POCKET.
10. CUT ITEM #26 (MLW00059) TO LENGTH, PLACE IN BAG, AND ATTACH TO HEATER HANDLE.
11. APPROPRIATE PART NUMBER LABEL MUST BE PURCHASED SEPARATELY.

LIGHTWEIGHT ACROBAT 120V WITH NEMA 5-15 HEATER AND CONTROLLER ASSEMBLY

NOTE: THIS DRAWING AND THE INFORMATION CONTAINED THEREIN IS THE CONFIDENTIAL AND PROPRIETARY PROPERTY OF McElroy Manufacturing, Inc. THE DRAWING IS NOT TO BE REPRODUCED IN ANY MANNER, SUBMITTED TO OUTSIDE PARTIES FOR EXAMINATION, OR USED DIRECTLY OR INDIRECTLY FOR THE PURPOSES OTHER THAN THOSE FOR WHICH IT WAS FURNISHED WITHOUT WRITTEN PERMISSION OF McElroy Manufacturing, Inc.



McElroy Manufacturing Parts List

Part Number: T5077506 Lightweight Acrobat 120V Nema 5-15 Heater Handle & Controller Assembly

Part Number T5077506 Component List

Item	Component	Description	Quantity	Unit	Price
1	2508901	Heater Handle Wld	1.0	EA	311.00
2	437401	Heat Sink Gasket	1.0	EA	0.00
3	816382	Temperature Scale Label	1.0	EA	6.85
4	T5030006	Heater Control Pcb Assy (Effective to 12/15/20)	1.0	EA	0.00
4	T5030009	Heater Control Pcb Assy	1.0	EA	0.00
5	T5030007	Potentiometer Assy	1.0	EA	24.65
6	T5030108	Heater Handle/enclosure	1.0	EA	0.00
7	T5077701	Rtd Wire W/ Conn X 25"	1.0	EA	39.91
8	T5077801	Htr Pwr Wir W/conn X 25"	1.0	EA	94.86
9	T5077902	Ground Wire W/ Term X 17"	1.0	EA	29.14
10	T5078102	15A/125V Pwr Cord W/plug&conn	1.0	EA	175.00
11	MAH00030	#10-24NCX1/4LG Rhms SS (Effective to 9/13/21)	1.0	EA	0.29
11	MAH00153	#10-24NCX3/8LG Rhpms	1.0	EA	0.48
12	MAH00296	#6-32X1/4 Phil Pan Sealg Scr	1.0	EA	1.86
13	MAL00010	#6-19X3/4LG Torx T15 Pan Hdscr	4.0	EA	0.55
14	MAL00031	#6-19X1-1/2'LG Torx T15 Panscr	2.0	EA	0.22
15	MAL00034	#6-19X1/4LG Phil Pan Hdscr	2.0	EA	0.06
16	MAL00035	#6-19X3/8LG Phil Pan Hdscr	4.0	EA	0.08
17	MBA00067	3/8-32NEF X 0.22 X 1/4 Sealnut	1.0	EA	4.08
18	MBG00072	#10 Int Tooth Lock Washer	1.0	EA	0.29
19	MDL00018	O-ring	1.0	EA	0.57
20	MDL00373	.040DIA Buna O-ring Cord Stock	2.3	FT	1.68
21	MJJ00009	1" Black Gloss Hand Grip	1.0	EA	3.59
22	MJJ00023	Control Knob	1.0	EA	4.86
23	MLM00012	14-16 Hi-temp Butt Splice	2.0	EA	0.97
24	MLM00040	18-22 Hi-temp Butt Splice	2.0	EA	1.02
25	MLN00219	Fiberglass Tape (per Ft)	0.66	FT	0.52
26	MLW00059	0.3" Blk 4:1 Adh Shrink Tubing	0.333	FT	0.00
27	MQI00111	Heatsink	1.0	EA	0.00
28	MBA00004	#10-24NC Hex Nut Stl PL	1.0	EA	0.35

Please visit <https://fusion.mcelroy.com/parts> to purchase parts or for more information.