



McElroy Manufacturing, Inc.
The leader by design.
Tulsa, Oklahoma U.S.A.

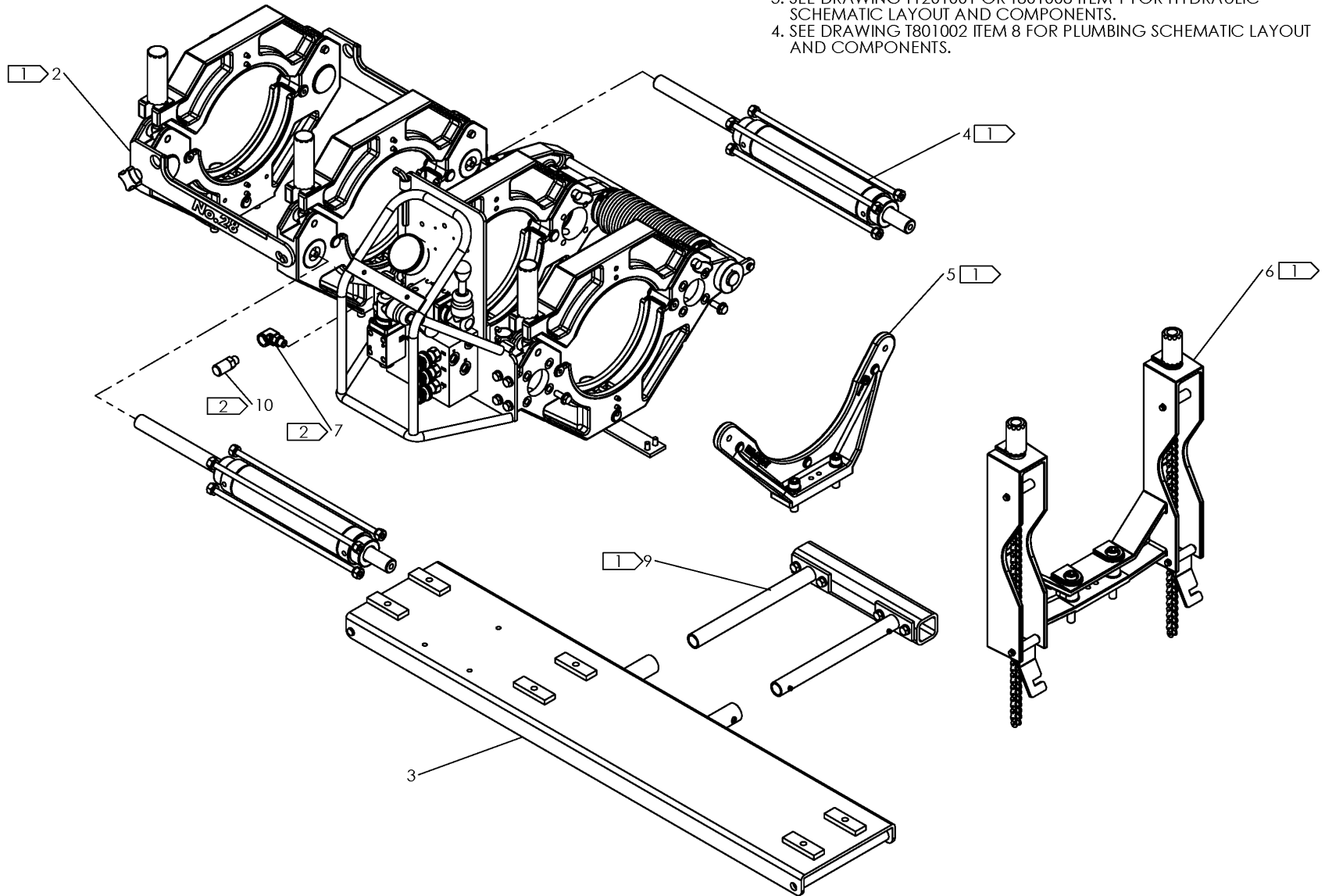
DRAWN: RLE CHECK: TLW APPRVD: SWB DATE: 09/01/00 SHT No: 1 REV No: G PART No: T800400

TracStar® 28 CARRIAGE ASSEMBLY

NOTE: THIS DRAWING AND THE INFORMATION CONTAINED THEREIN IS THE CONFIDENTIAL AND PROPRIETARY PROPERTY OF McElroy Manufacturing, Inc. THE DRAWING IS NOT TO BE REPRODUCED IN ANY MANNER, SUBMITTED TO OUTSIDE PARTIES FOR EXAMINATION, OR USED DIRECTLY OR INDIRECTLY FOR THE PURPOSES OTHER THAN THOSE FOR WHICH IT WAS FURNISHED WITHOUT WRITTEN PERMISSION OF McElroy Manufacturing, Inc.

NOTES:

1. THESE ITEMS ARE SUB-ASSEMBLIES ON SEPARATE DRAWINGS.
2. REMOVE PLUG FROM PORT TXB AND REPLACE WITH ITEM 7 & 10. DATALOGGER FITTINGS FOR COMBINATION ASSEMBLIES.
3. SEE DRAWING T1201001 OR T801008 ITEM 1 FOR HYDRAULIC SCHEMATIC LAYOUT AND COMPONENTS.
4. SEE DRAWING T801002 ITEM 8 FOR PLUMBING SCHEMATIC LAYOUT AND COMPONENTS.



McElroy Manufacturing Parts List

Part Number: T800401 TracStar 28 HF Butt Carriage Assembly

Part Number T800401 Component List

Item	Component	Description	Quantity	Unit	Price
1	T1201001	TracStar 412 / TracStar 28 HF Carriage Hydraulic Schematic	1.0	EA	0.00
2	T801301	TracStar 28 Jaw Set Assembly	1.0	EA	0.00
3	T802501	Carriage Skid Wld	1.0	EA	1,141.00
4	840301	28 HF Cylinder Assembly Set	1.0	S2	2,738.00
5	850202	28 Guide Rod Support Plate Assembly	1.0	EA	327.00
8	T801002	TracStar 28 Carriage Plumbing Schematic	1.0	EA	0.00
9	T1213501	Outrigger Assembly	1.0	EA	390.00

Please visit <https://fusion.mcelroy.com/parts> to purchase parts or for more information.

