



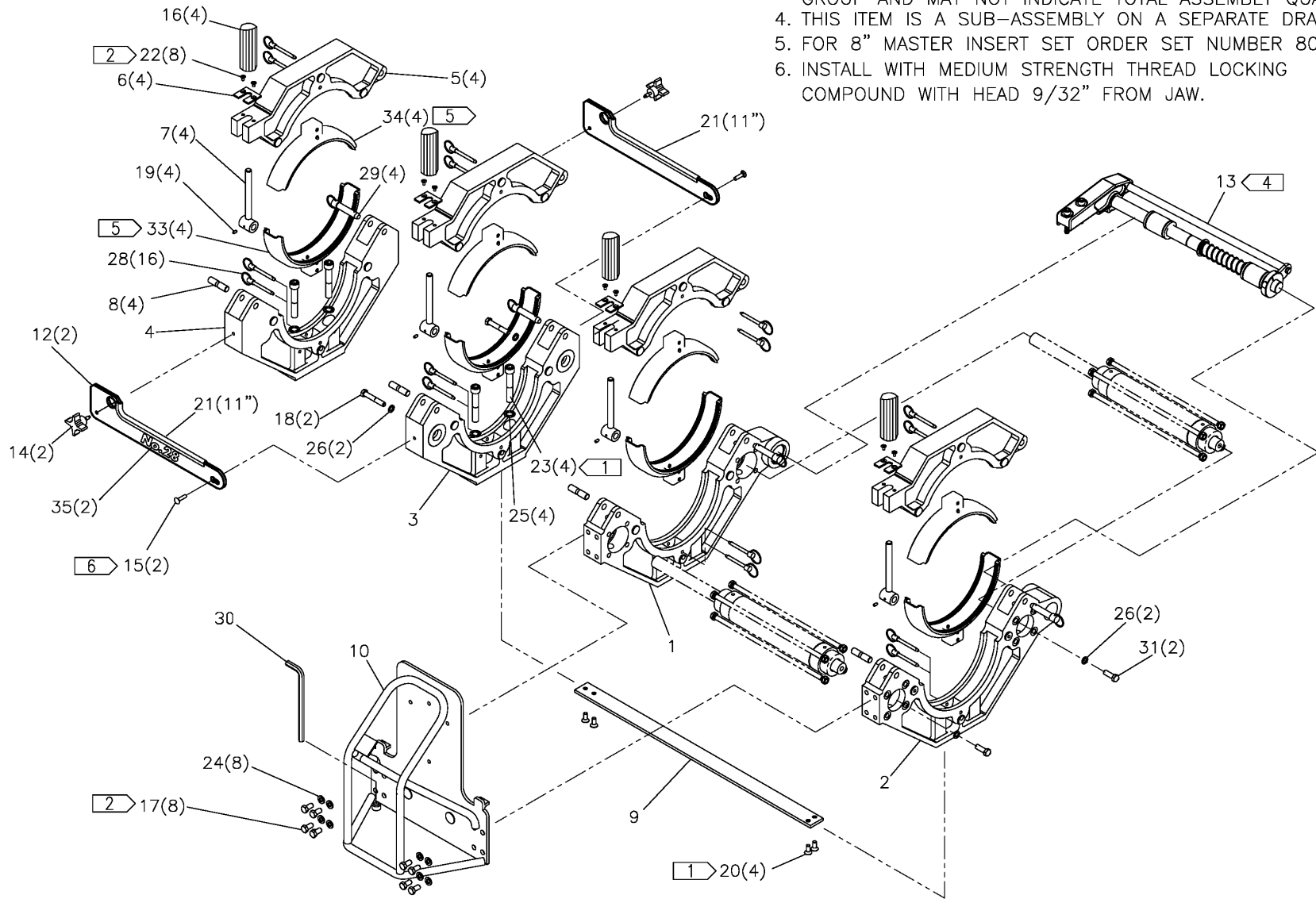
McElroy Manufacturing, Inc.
The leader by design.
Tulsa, Oklahoma U.S.A.

DRAWN: BWW	CHECK: dwp/BW	APPRV'D: JRP	DATE: 8/15/00	DWG No: T801300	SHT No: 1	REV No: H	PART No: T801301
TracStar® 28 JAW SET ASSEMBLY							CAD No: T801301

NOTE: THIS DRAWING AND THE INFORMATION CONTAINED THEREIN IS THE CONFIDENTIAL AND PROPRIETARY PROPERTY OF McElroy Manufacturing, Inc. THE DRAWING IS NOT TO BE REPRODUCED IN ANY MANNER, SUBMITTED OUTSIDE PARTIES FOR EXAMINATION, OR USED DIRECTLY OR INDIRECTLY FOR THE PURPOSES OTHER THAN THOSE FOR WHICH IT WAS FURNISHED WITHOUT WRITTEN PERMISSION OF McElroy Manufacturing, Inc.

NOTES:

1. INSTALL WITH HIGH TEMPERATURE ANTI-SEIZE COMPOUND.
2. INSTALL WITH HIGH STRENGTH THREAD LOCKING COMPOUND.
3. ITEMS IN PARENTHESIS REFLECT QUANTITIES IN A LOCAL GROUP AND MAY NOT INDICATE TOTAL ASSEMBLY QUANTITIES.
4. THIS ITEM IS A SUB-ASSEMBLY ON A SEPARATE DRAWING.
5. FOR 8" MASTER INSERT SET ORDER SET NUMBER 807203.
6. INSTALL WITH MEDIUM STRENGTH THREAD LOCKING COMPOUND WITH HEAD 9/32" FROM JAW.



McElroy Manufacturing Parts List

Part Number: T801301 TracStar 28 Jaw Set Assembly

Part Number T801301 Component List

Item	Component	Description	Quantity	Unit	Price
1	848506	Dips Lower Inner Movable Jaw	1.0	EA	969.00
2	848507	Dips Lower Outer Movable Jaw	1.0	EA	969.00
3	848504	Dips Lower Inner Fixed Jaw	1.0	EA	969.00
4	848505	Dips Lower Outer Fixed Jaw	1.0	EA	969.00
5	848602	Dips Upper Jaw	4.0	EA	433.00
6	801701	Clamp Pad	4.0	EA	20.66
7	803901	Clamp Eyebolt	4.0	EA	97.38
8	808501	Clamp Pivot Pin	4.0	EA	16.45
9	814301	Carriage Support Plate	1.0	EA	105.00
10	849501	Manifold Mounting Bracket Wld	1.0	EA	447.00
12	T802601	Replaced by T802602 (Effective 9/27/00 to 8/5/13)	2.0	EA	0.00
12	T802602	Fixed Jaw Brace	2.0	EA	104.00
13	T801501	TracStar 28 Facer Pivot Shaft Assembly	1.0	EA	1,085.00
14	839501	Fixed Jaw Brace Knob Assy	2.0	EA	27.84
15	839601	Fixed Jaw Brace Shoulder Screw (Effective 9/27/00 to 8/5/13)	2.0	EA	36.01
15	MAI00013	1/4-20NCX1LG Crg Bolt	2.0	EA	0.29
16	A829101	Long Clamp Knob Assembly	4.0	EA	92.69
17	MAB00063	3/8-16NCX3/4LG Hhcs	8.0	EA	0.40
18	MAB00076	3/8-16NCX2-1/4LG Hhcs GR8	2.0	EA	0.86
19	MAG00002	#10-24NCX3/8LG Skt Set Scr	4.0	EA	1.27
20	MAH00141	5/16-18NCX3/4LG Fhscs SS	4.0	EA	1.31
21	MDL00242	1/4" Edge Trim	1.8	FT	2.28
22	MAN00001	#10-24NCX3/8 LG Fhscs SS	8.0	EA	0.41
23	MAN00003	1/2-13NCX3LG Shcs SS	4.0	EA	5.27
24	MBE00007	3/8 Reg Splt Lck Wshr Stl PL	8.0	EA	0.12
25	MBE00021	1/2 Int T Lck Washer Stl PL	4.0	EA	0.12
26	MBG00001	3/8 Type 'an' FL Wshr Stl PL	4.0	EA	0.26
28	MCE00002	1/4DIAx2.00 Grip Detent Pin	16.0	EA	10.72
29	MCE00006	1/2DIAx2.00 Grip Detent Pin	4.0	EA	12.47
30	MJL00018	3/8 Hex Key Wrench-long Ser PL	1.0	EA	12.26
31	MAB00077	3/8-16NCX1LG Hhcs GR8	2.0	EA	0.70
33	807201	8IPS/DIPS Master Lower Insert	4.0	EA	194.00
34	807202	8IPS/DIPS Master Upper Insert	4.0	EA	194.00
35	8163118	Small McElroy Branding Label (Effective 11/1/04 to 2/12/07)	2.0	EA	5.18
35	8163148	28 Label	2.0	EA	3.85

Please visit <https://fusion.mcelroy.com/parts> to purchase parts or for more information.