



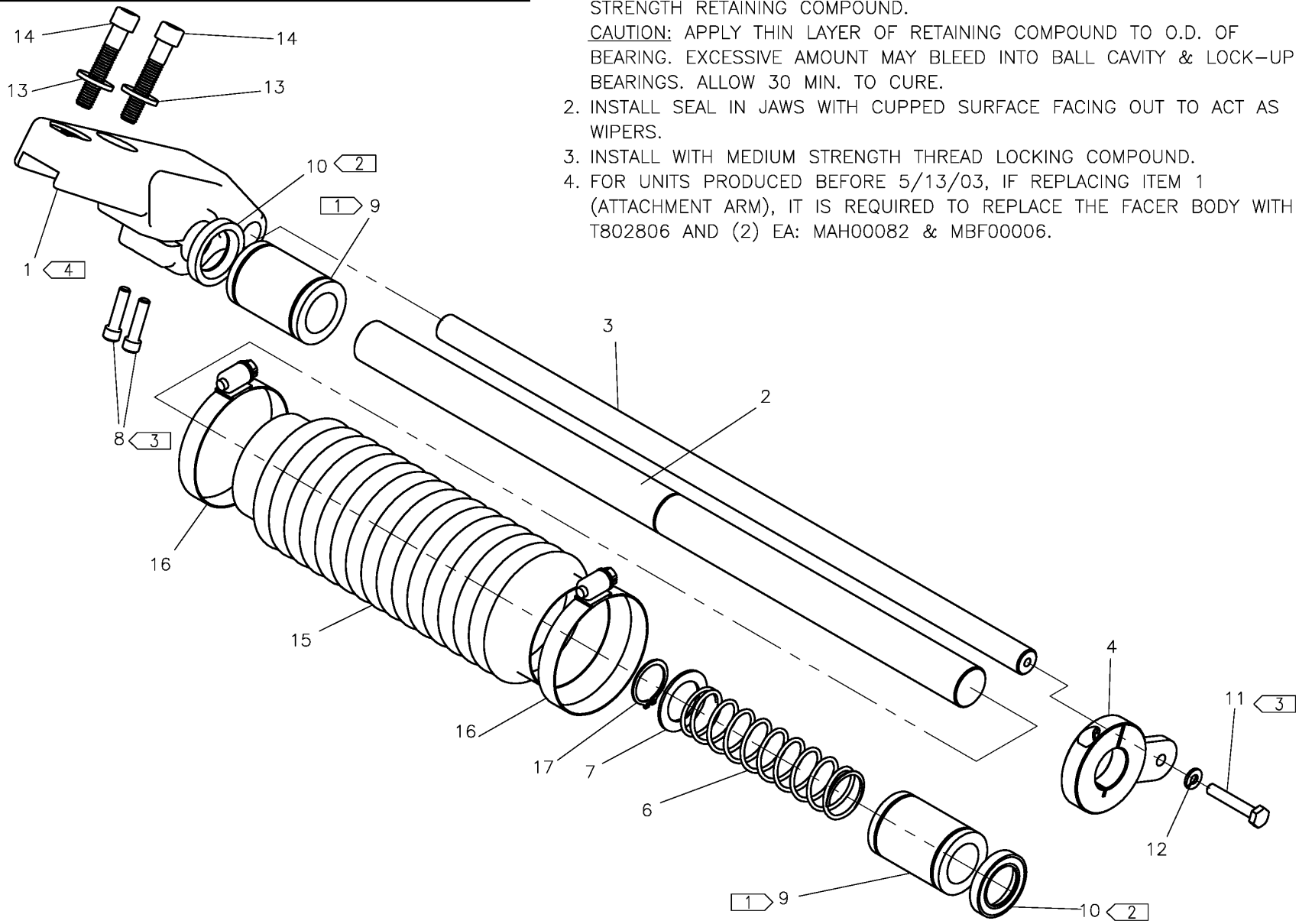
McElroy Manufacturing, Inc.
The leader by design.
Tulsa, Oklahoma U.S.A.

DRAWN: BWW	CHECK: DWP	APPRV'D: JRP	DATE: 8/15/00	DWG No: T801500	SHT No: 1	REV No: H	PART No: T801501
TracStar® 28 FACER PIVOT SHAFT ASSEMBLY							CAD No: T801501

NOTE: THIS DRAWING AND THE INFORMATION CONTAINED THEREIN IS THE CONFIDENTIAL AND PROPRIETARY PROPERTY OF McElroy Manufacturing, Inc. THE DRAWING IS NOT TO BE REPRODUCED IN ANY MANNER, SUBMITTED OUTSIDE PARTIES FOR EXAMINATION, OR USED DIRECTLY OR INDIRECTLY FOR THE PURPOSES OTHER THAN THOSE FOR WHICH IT WAS FURNISHED WITHOUT WRITTEN PERMISSION OF McElroy Manufacturing, Inc.

NOTES:

1. CLEAN OUTER SURFACE WITH SOLVENT CLEANER, INSTALL WITH HIGH STRENGTH RETAINING COMPOUND.
CAUTION: APPLY THIN LAYER OF RETAINING COMPOUND TO O.D. OF BEARING. EXCESSIVE AMOUNT MAY BLEED INTO BALL CAVITY & LOCK-UP BEARINGS. ALLOW 30 MIN. TO CURE.
2. INSTALL SEAL IN JAWS WITH CUPPED SURFACE FACING OUT TO ACT AS WIPERS.
3. INSTALL WITH MEDIUM STRENGTH THREAD LOCKING COMPOUND.
4. FOR UNITS PRODUCED BEFORE 5/13/03, IF REPLACING ITEM 1 (ATTACHMENT ARM), IT IS REQUIRED TO REPLACE THE FACER BODY WITH T802806 AND (2) EA: MAH00082 & MBF00006.



McElroy Manufacturing Parts List

Part Number: T801501 TracStar 28 Facer Pivot Shaft Assembly



T28 facer pivot shaft assy

Part Number T801501 Component List

Item	Component	Description	Quantity	Unit	Price
1	T801805	Facer Attachment Arm	1.0	EA	534.00
2	T801901	Facer Pivot Shaft	1.0	EA	354.00
3	T802101	Facer Stop Rod	1.0	EA	62.17
4	T802001	Facer Tie Arm Wld	1.0	EA	196.00
6	815502	Fcr Pivot Shaft Spring	1.0	EA	8.67
7	815602	Fcr Pivot Shaft Washer	1.0	EA	20.39
8	MAC00055	1/4-20NCX1LG Shcs PL	2.0	EA	0.25
9	MDM00035	Linear Ball Bearing Super 16	2.0	EA	145.00
10	MDL00045	1.00 ID X 1.567 OD S-1000 Seal	2.0	EA	20.80
11	MAB00134	1/4-20NCX5/8LG Hhcs	1.0	EA	0.29
12	MBE00005	1/4 Reg Splt Lck Washer Stl PL	1.0	EA	0.10
13	MBF00006	5/16TY 'a' Wide FL Wshr Stl PL	2.0	EA	0.11
14	MAH00082	3/8-16NCX2LG Shcs SS	2.0	EA	3.00
15	836401	Fcr Pivot Shaft Rod Boot	1.0	EA	129.00
16	MFD00049	Hose Clamp	2.0	EA	3.26
17	MCB00006	Ext Snap Ring	1.0	EA	0.94

Please visit <https://fusion.mcelroy.com/parts> to purchase parts or for more information.