



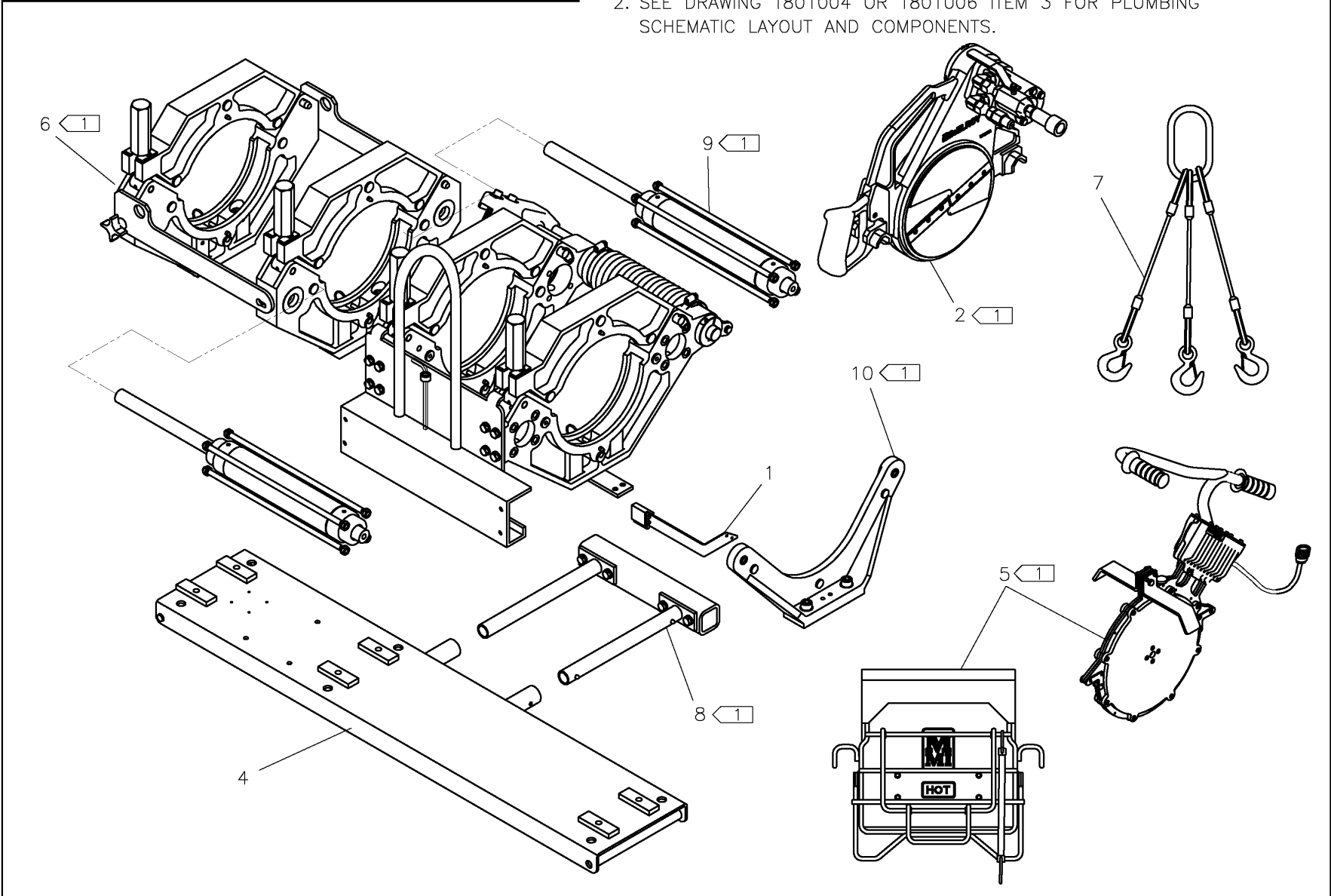
**McElroy Manufacturing, Inc.**  
 The leader by design.  
 Tulsa, Oklahoma U.S.A.

DRAWN: LBK	CHECK: DWP	APPR'D: SWB	DATE: 6/29/07	DWG No:	SHT No: 1	REV No:	PART No: TABULATED
TracStar®28 AUTOMATED CARRIAGE ASSEMBLY							CAD No: T806300

NOTE: THIS DRAWING AND THE INFORMATION CONTAINED THEREIN IS THE CONFIDENTIAL AND PROPRIETARY PROPERTY OF McElroy Manufacturing, Inc. THE DRAWING IS NOT TO BE REPRODUCED IN ANY MANNER, SUBMITTED OUTSIDE PARTIES FOR EXAMINATION, OR USED DIRECTLY OR INDIRECTLY FOR THE PURPOSES OTHER THAN THOSE FOR WHICH IT WAS FURNISHED WITHOUT WRITTEN PERMISSION OF McElroy Manufacturing, Inc.

**NOTES:**

1. THESE ITEMS ARE SUB-ASSEMBLIES ON SEPARATE DRAWINGS.
2. SEE DRAWING T801004 OR T801006 ITEM 3 FOR PLUMBING SCHEMATIC LAYOUT AND COMPONENTS.



## McElroy Manufacturing Parts List

**Part Number:** T806301 Replaced by T806303 (TracStar 28 Automated LF Butt Carriage Assembly) (Single RTD)

### Part Number T806301 Component List

Item	Component	Description	Quantity	Unit	Price
1	AT807401	T250/T28 Transducer Kit	1.0	EA	0.00
2	T800501	TracStar 28 Facer Assembly	1.0	EA	6,709.00
3	T801006	TracStar 250/TracStar 28 Automated LF Carriage Plumbing Schematic	1.0	EA	0.00
4	T802501	Carriage Skid Wld	1.0	EA	1,141.00
5	T806201	TracStar 28 Automated Heater Assembly 220-240V, 50/60Hz, 1Ph	1.0	EA	0.00
6	T807301	Replaced by T807303 or T807304	1.0	EA	0.00
8	T1213501	Outrigger Assembly	1.0	EA	390.00
9	840302	28 LF Cylinder Assembly Set	1.0	S2	3,938.00
10	850202	28 Guide Rod Support Plate Assembly	1.0	EA	327.00

Please visit <https://fusion.mcelroy.com/parts> to purchase parts or for more information.