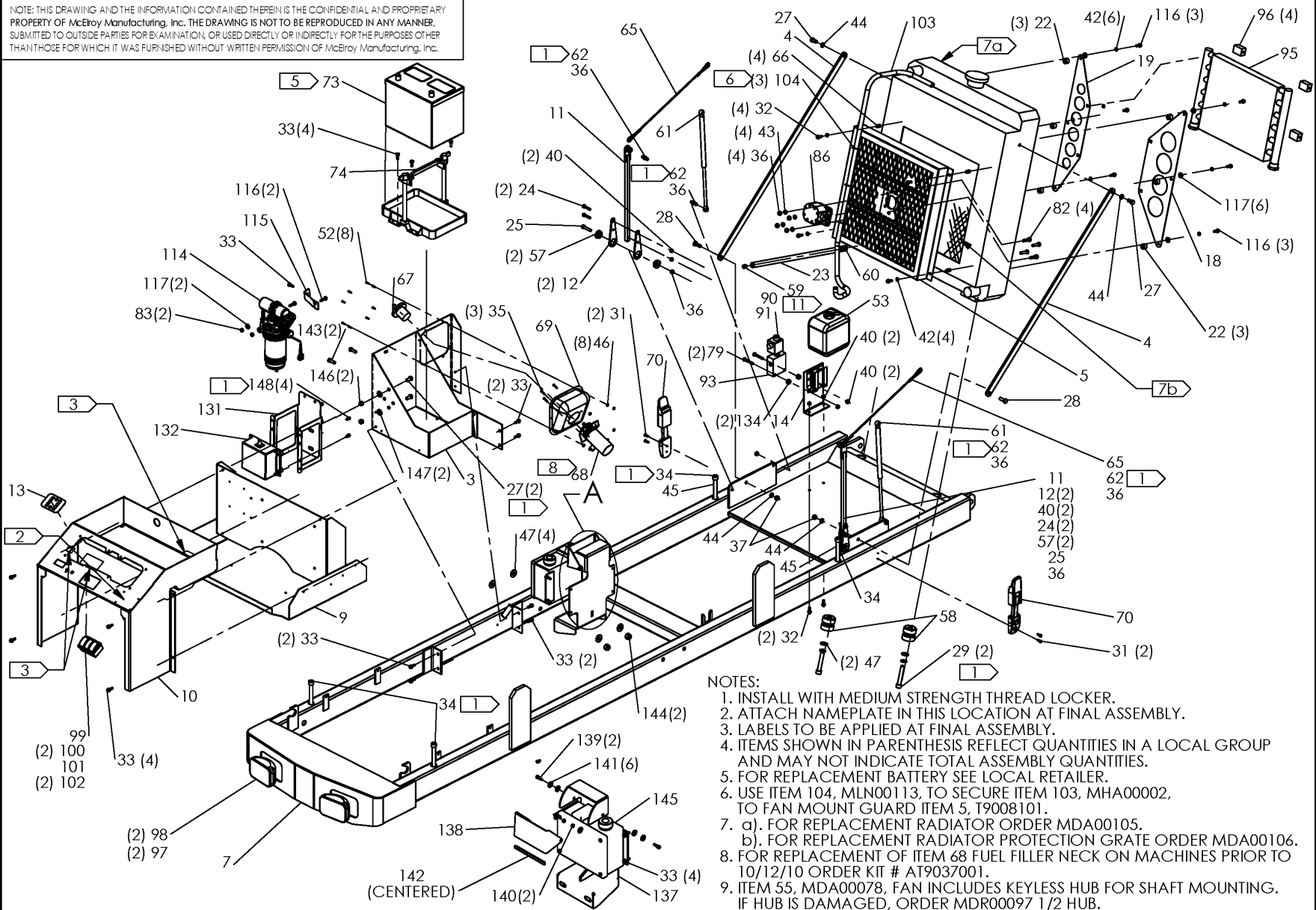




McElroy Manufacturing, Inc.
The leader by design.
Tulsa, Oklahoma U.S.A.

DRAWN: FAW CHECK: BWJ APPRVD: DWP DATE: 02/22/07 SHT No: 2A REV No: AP PART No: T9000202
TracStar® 900 VEHICLE CHASSIS ASSEMBLY

NOTE: THIS DRAWING AND THE INFORMATION CONTAINED THEREIN IS THE CONFIDENTIAL AND PROPRIETARY PROPERTY OF McElroy Manufacturing, Inc. THE DRAWING IS NOT TO BE REPRODUCED IN ANY MANNER, SUBMITTED TO OUTSIDE PARTIES FOR EXAMINATION, OR USED DIRECTLY OR INDIRECTLY FOR THE PURPOSES OTHER THAN THOSE FOR WHICH IT WAS FURNISHED WITHOUT WRITTEN PERMISSION OF McElroy Manufacturing, Inc.



- NOTES:
1. INSTALL WITH MEDIUM STRENGTH THREAD LOCKER.
 2. ATTACH NAMEPLATE IN THIS LOCATION AT FINAL ASSEMBLY.
 3. LABELS TO BE APPLIED AT FINAL ASSEMBLY.
 4. ITEMS SHOWN IN PARENTHESIS REFLECT QUANTITIES IN A LOCAL GROUP AND MAY NOT INDICATE TOTAL ASSEMBLY QUANTITIES.
 5. FOR REPLACEMENT BATTERY SEE LOCAL RETAILER.
 6. USE ITEM 104, MLN00113, TO SECURE ITEM 103, MHA00002, TO FAN MOUNT GUARD ITEM 5, T9008101.
 7. a). FOR REPLACEMENT RADIATOR ORDER MDA00105.
b). FOR REPLACEMENT RADIATOR PROTECTION GRATE ORDER MDA00106.
 8. FOR REPLACEMENT OF ITEM 68 FUEL FILLER NECK ON MACHINES PRIOR TO 10/12/10 ORDER KIT # AT9037001.
 9. ITEM 55, MDA00078, FAN INCLUDES KEYLESS HUB FOR SHAFT MOUNTING. IF HUB IS DAMAGED, ORDER MDR00097 1/2 HUB.
 10. FOR REPLACEMENT RADIO MODIFICATION ORDER T9021001.
 11. FOR REPLACEMENT OF ITEM 90 ORDER AT9040401.

DETAIL A





McElroy Manufacturing, Inc.

The leader by design.

Tulsa, Oklahoma U.S.A.

DRAWN: FAW

CHECK: BWJ

APPRVD: DWP

DATE: 02/22/07

SHT No: 2B

REV No: AP

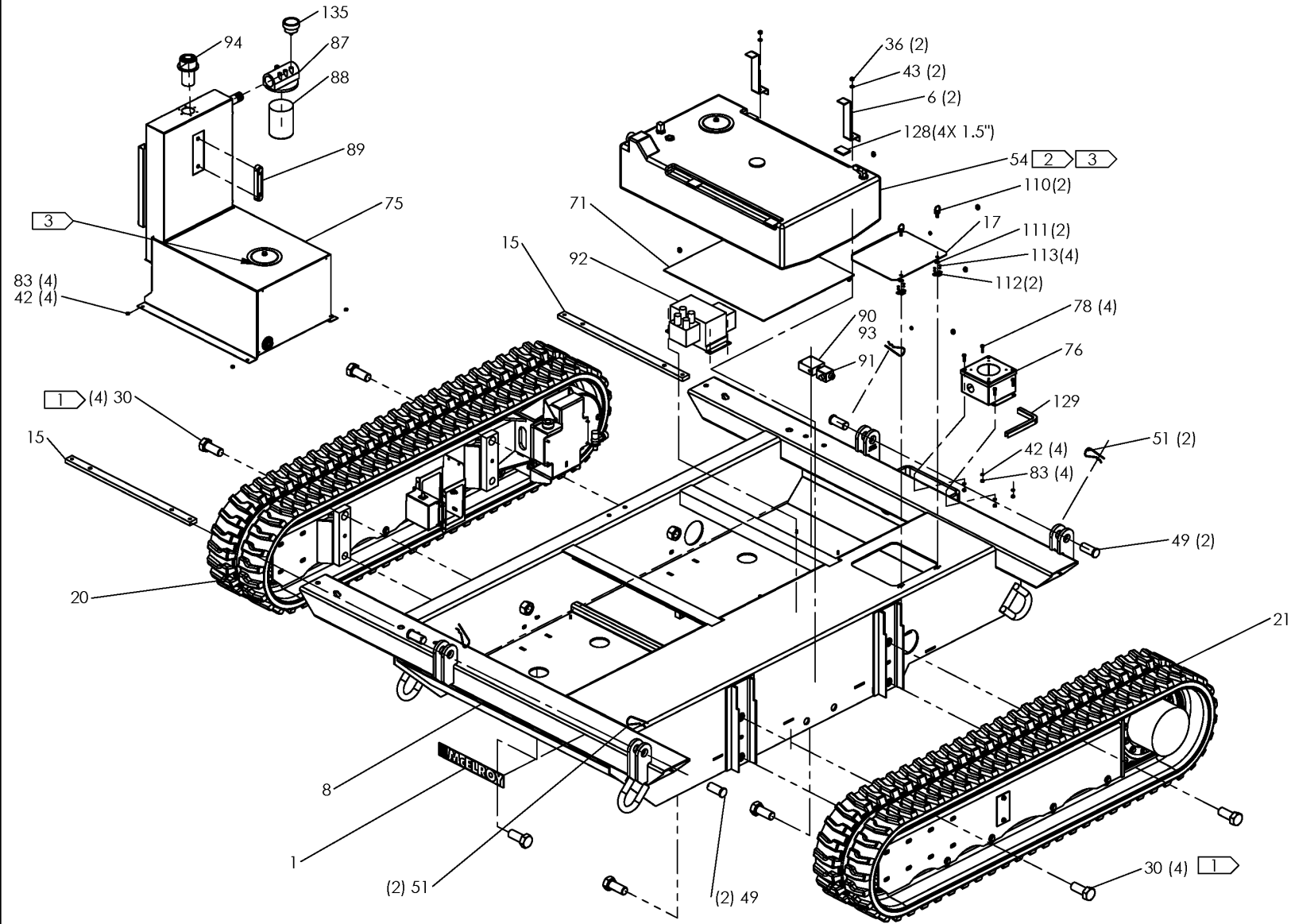
PART No: T9000202

TracStar® 900 VEHICLE CHASSIS ASSEMBLY

NOTE: THIS DRAWING AND THE INFORMATION CONTAINED THEREIN IS THE CONFIDENTIAL AND PROPRIETARY PROPERTY OF McElroy Manufacturing, Inc. THE DRAWING IS NOT TO BE REPRODUCED IN ANY MANNER, SUBMITTED TO OUTSIDE PARTIES FOR EXAMINATION, OR USED DIRECTLY OR INDIRECTLY FOR THE PURPOSES OTHER THAN THOSE FOR WHICH IT WAS FURNISHED WITHOUT WRITTEN PERMISSION OF McElroy Manufacturing, Inc.

NOTES:

1. INSTALL WITH MEDIUM STRENGTH THREAD LOCKER.
2. ORDER PART No. MDA00119 FOR REPLACEMENT SENDING UNIT ONLY.
3. ORDER PART No. MEA00098 FOR REPLACEMENT CLEAN-OUT COVER, IF INSTALLED.





McElroy Manufacturing, Inc.

The leader by design.

Tulsa, Oklahoma U.S.A.

DRAWN: FAW

CHECK: BWJ

APPRVD: DWP

DATE: 02/22/07

SHT No: 2C

REV No: AP

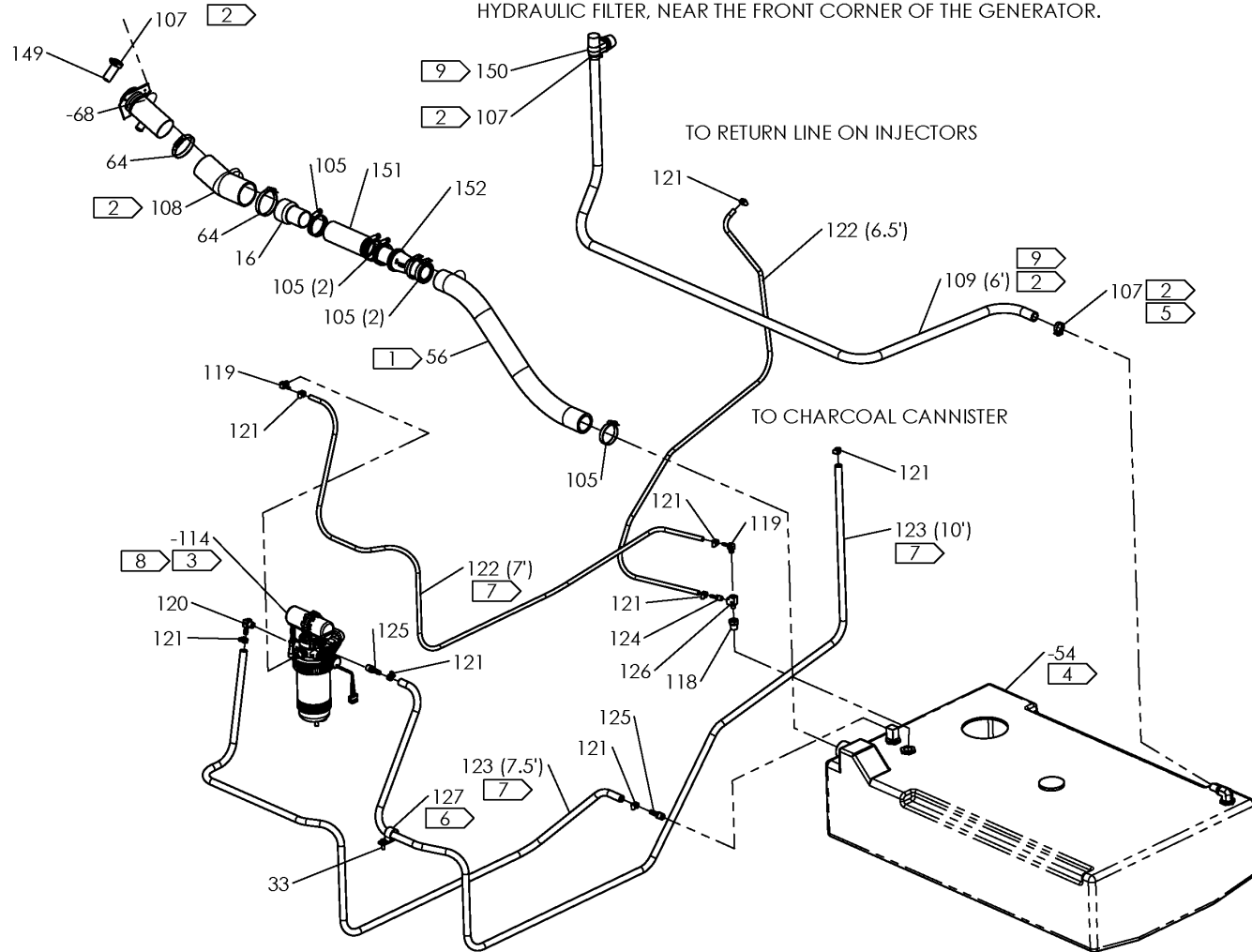
PART No: T9000202

TracStar® 900 VEHICLE CHASSIS ASSEMBLY

NOTE: THIS DRAWING AND THE INFORMATION CONTAINED THEREIN IS THE CONFIDENTIAL AND PROPRIETARY PROPERTY OF McElroy Manufacturing, Inc. THE DRAWING IS NOT TO BE REPRODUCED IN ANY MANNER, SUBMITTED TO OUTSIDE PARTIES FOR EXAMINATION, OR USED DIRECTLY OR INDIRECTLY FOR THE PURPOSES OTHER THAN THOSE FOR WHICH IT WAS FURNISHED WITHOUT WRITTEN PERMISSION OF McElroy Manufacturing, Inc.

NOTES:

1. FOR REPLACEMENT FUEL HOSE ON MACHINES PRIOR TO 10/12/10 ORDER MDA00081 (21.5" LG.)
2. ITEMS 107, 108, AND 109 ADDED ON MACHINES PRODUCED AFTER 10/12/10 TO IMPROVE FUEL TANK VENTING. VENT ROUTING CHANGED ON MACHINES PRODUCED AFTER 4/12/16.
3. FUEL FILTER PUMP ASSEMBLY RELOCATED TO SIDE OF BATTERY BOX PRODUCED AFTER 01/03/13.
4. REMOVE THE FACTORY INSTALLED TEE FROM THE FUEL TANK.
5. INSTALL WITH NUT DOWN AND AWAY FROM TANK.
6. ROUTE ALL HOSES FROM FUEL FILTER PUMP ASSEMBLY THRU LOOM CLAMP.
7. ROUTE FUEL FILTER PUMP ASSEMBLY HOSES BETWEEN HYDRAULIC RESERVIOR AND CHASSIS.
8. ORDER MDA00114 REPLACEMENT FILTER FOR MDA00088.
9. USING CABLE TIES, SECURE THE FITTING AND VERTICAL HYDRAULIC HOSE JUST PAST THE OUTLET OF THE HYDRAULIC FILTER, NEAR THE FRONT CORNER OF THE GENERATOR.



McElroy Manufacturing Parts List

Part Number: T9000202 TracStar 900 Vehicle Chassis Assembly

Part Number T9000202 Component List

Item	Component	Description	Quantity	Unit	Price
1	8163120	Large McElroy Branding Label	1.0	EA	6.41
3	T9007101	Battery Bracket Wld	1.0	EA	0.00
4	T9008001	Radiator Brace	2.0	EA	125.00
5	T9008101	Fan Mount Bracket/guard Wld	1.0	EA	1,298.00
6	T9008201	Fuel Tank Hold Down Bracket	2.0	EA	118.00
7	T9008301	Engine Base Wld	1.0	EA	4,582.00
8	T9008401	Replaced by T9008420 (Effective 6/1/06 to 2/21/12)	1.0	EA	0.00
8	T9008420	Replaced by T9008424 (Effective 2/22/12 to 3/18/13)	1.0	EA	0.00
8	T9008424	Chassis Wld	1.0	EA	13,357.00
9	T9009504	Control Platform	1.0	EA	553.00
10	T9035901	Control Panel Wld	1.0	EA	580.00
11	T9010101	Hood Pivot Link Wld	2.0	EA	430.00
12	T9010201	Link Bearing Plate	4.0	EA	144.00
13	T9011401	Manual Track Control Label	1.0	EA	135.00
14	T9012001	Coolant Tank Bracket Wld	1.0	EA	0.00
15	T9012301	Engine Base Nut Plate	2.0	EA	0.00
16	T9015101	Fuel Fill Adapter	1.0	EA	29.47
17	T9016901	Replaced by T9016902 (Effective 6/1/06 to 1/4/11)	1.0	EA	0.00
17	T9016902	Access Cover	1.0	EA	146.00
18	T9018501	Left Oil Cooler Bracket	1.0	EA	188.00
19	T9018601	Right Oil Cooler Bracket	1.0	EA	188.00
20	T9023001	TracStar 900 Right Track Assembly	1.0	EA	23,292.00
21	T9023002	TracStar 900 Left Track Assembly	1.0	EA	23,292.00
22	T9024701	Radiator Guard Spacer	6.0	EA	52.16
23	HAABAB018	Hose Assy Oal 18"	1.0	EA	0.00
24	MAB00005	1/4-20NCX1-1/4LG Hhcs	4.0	EA	0.31
25	MAB00035	5/16-18NCX1-1/2LG Hhcs	2.0	EA	0.51
27	MAB00063	3/8-16NCX3/4LG Hhcs	4.0	EA	0.40
28	MAB00064	3/8-16NCX1LG Hhcs	2.0	EA	0.51
29	MAN00003	1/2-13NCX3LG Shcs SS	2.0	EA	5.27
30	MAB00148	1-1/4-7NCX3LG Hhcs	8.0	EA	17.56
31	MAH00003	#10-24NCX5/8LG Phpms	4.0	EA	0.30
32	MAH00172	1/4-20NCX3/4LG Hwhsms	16.0	EA	0.49
33	MAL00007	1/4-20NCX3/4LG Hwh TF Screw	20.0	EA	0.49
34	MAN00019	1/2-13NCX4-1/2LG Shcs SS	4.0	EA	6.32
35	MAP00001	#6X3/4LG Rhpsms (Effective 6/1/06 to 2/17/11)	3.0	EA	0.00
35	MAP00005	#8X3/4 LG Phpsms Stl PL	3.0	EA	0.25
36	MBA00006	5/16-18NC Fnsh Hex Nut Stl PL	14.0	EA	0.33
37	MBA00007	3/8-16NC Fnsh Hex Nut Stl PL	2.0	EA	0.29
38	MBA00009	1/2-13NC Fnsh Hex Nut Stl PL	2.0	EA	0.46
40	MBC00053	1/4-20NC Prev Trq Flg Lck Nut	14.0	EA	0.39
41	MBC00054	1/4-20NC Prev Trq Lck Clip Nut	4.0	EA	1.17
42	MBE00005	1/4 Reg Splt Lck Washer Stl PL	18.0	EA	0.10
43	MBE00006	5/16 Reg Splt Lck Wshr Stl PL	4.0	EA	0.11
44	MBE00007	3/8 Reg Splt Lck Wshr Stl PL	4.0	EA	0.12
45	MBE00009	1/2 Reg Splt Lck Washer Stl PL	6.0	EA	0.18
46	MBF00002	#6 TY 'a' Wide FL Wshr Stl PL	8.0	EA	0.10
47	MBF00009	1/2 TY 'a' Wide FL Wshr Stl PL	6.0	EA	0.25
48	MBG00017	1/2 Ty'a' Nar Sae FL Wsh Stlpl	2.0	EA	0.12
49	MCF00027	1-1/4DIAX2-1/2 Grip Clv Pin PL	4.0	EA	19.63
51	MCH00016	.243DIAX5LG Hair Pin	4.0	EA	6.14
52	MCK00008	1/8DIAX1/2 Grip Blind Rivet (Effective 6/1/06 to 1/13/13)	8.0	EA	0.27

McElroy Manufacturing Parts List

Part Number: T9000202 TracStar 900 Vehicle Chassis Assembly

52	MCK00005	1/8DIA X .462" Grip Blind Rivet	8.0 EA	0.00
53	MDA00052	Coolant Tank MDA00050/75/173	1.0 EA	200.00
54	MDA00076	Fuel Tank W/sending Unit	1.0 EA	638.00
55	MDA00078	Fan	1.0 EA	566.00
56	MDA00081	1-1/2" Fuel Hose X 20-1/2" LG (Effective 6/1/06 to 10/12/10)	1.0 EA	0.00
56	MHA00060	1-1/2" Fuel Hose X 12" LG	1.0 EA	0.00
57	MDM00290	Ball Bearing	4.0 EA	47.17
58	MDS00001	Shock Mount	2.0 EA	54.17
59	MFA00007	4MPT Plug	1.0 EA	1.16
60	MFA00037	4FPT/4FPT Coupling	1.0 EA	0.00
61	MGA00045	Gas Spring	2.0 EA	57.63
62	MGF00061	Mounting Stud	4.0 EA	3.30
64	MFD00049	Hose Clamp	2.0 EA	3.26
64	MHA00047	Replaced by MFD00049 (Effective 10/13/10 to 1/20/11)	2.0 EA	0.00
65	MJD00029	Hood Cable	2.0 EA	32.07
66	MJM00030	Threaded Insert	4.0 EA	13.04
67	MJQ00337	Fuel Cap	1.0 EA	79.46
68	MJQ00338	Obsolete (Effective 6/1/06 to 10/12/10)	1.0 EA	0.00
68	T9037001	Fuel Filler Neck Mod	1.0 EA	316.00
69	MJQ00339	Fuel Fill Bezel	1.0 EA	251.00
70	MJQ00341	Hood Latch Assy W/keeper	2.0 EA	57.32
71	MJQ00353	1/8X20X22 Neoprene	1.0 EA	39.83
72	MJU00001	4952 Double-sided Foam Tape (Effective 6/1/06 to 1/13/13)	1.0 FT	3.66
73	MKG00017	12V 750CCA 120RC GRP24 Battery	1.0 EA	0.00
74	MLN00411	Battery Hold Down Tray	1.0 EA	72.25
75	T9006701	Hydraulic Reservoir Weldment	1.0 EA	2,952.00
76	T9012701	Power Cord Junction Box Mod	1.0 EA	423.00
77	T9021001	TracStar 900/TracStar 630 Radio Modification w/ Bracket Assembly (Effective 2/25/08 to 1/29/13)	1.0 EA	0.00
78	MAB00002	1/4-20NCX1/2LG Hhcs	4.0 EA	0.18
79	MAB00007	1/4-20NCX1-3/4LG Hhcs (Effective 3/28/07 to 3/10/13)	2.0 EA	0.46
79	MAB00009	1/4-20NCX2-1/4LG Hhcs	2.0 EA	0.74
81	MAB00033	5/16-18NCX1LG Hhcs (Effective 9/15/15 to 10/28/15)	2.0 EA	0.42
82	MAB00034	5/16-18NCX1-1/4LG Hhcs	4.0 EA	0.46
83	MBA00005	1/4-20NC Fhsh Hex Nut Stl PL	14.0 EA	0.32
85	MBC00006	5/16-18NC Fhsh Hex Nyl Lck Nut (Effective 9/15/15 to 10/28/15)	2.0 EA	0.39
86	MEA00070	Bi-rotation Gear Pump/motor	1.0 EA	733.00
87	MED00031	Filter Head	1.0 EA	79.43
88	MED00052	Filter Element	1.0 EA	90.00
89	MEE00014	5" Sight Gauge W/thermometer	1.0 EA	77.03
90	MEF00096	3-WAY Valve Cartridge Only	2.0 EA	326.00
91	MEF00101	30WATT Solenoid	2.0 EA	86.64
92	MEF00125	Directional Valve	1.0 EA	6,372.00
93	MEL00014	3-WAY Valve Manifold	2.0 EA	129.00
94	MFK00001	Chrome Filler Cap	1.0 EA	47.27
95	MJQ00393	Oil Cooler	1.0 EA	562.00
96	MJQ00394	Oil Cooler Mtg Kit W/o Strap	4.0 EA	57.10
97	MLT00017	Replaced by T5072301 (Effective 3/28/07 to 9/23/18)	2.0 EA	0.00
97	T5072301	Light Mod	2.0 EA	138.00
98	MLT00019	Headlight Bezel	2.0 EA	23.79
99	MKE00058	Seal Rocker Switch (spst)	1.0 EA	46.36
100	MQI00053	Mounting Panel End	2.0 EA	6.82

McElroy Manufacturing Parts List

Part Number: T9000202 TracStar 900 Vehicle Chassis Assembly

101	MQI00054	Mounting Panel Module	1.0 EA	8.75
102	MQI00063	2PDT Mom Sealed Rocker Switch	2.0 EA	34.20
103	MHA00001	1/4ID X 3/8OD Clear Tubing	4.0 FT	6.17
103	MHA00002	1/2IDX5/8OD Clear Tubing (Effective 12/9/08 to 3/19/12)	4.0 FT	3.51
104	MLN00113	5.5" X .095" Cable Tie	3.0 EA	0.17
105	MFD00019	Hose Clamp	6.0 EA	2.78
106	MEA00098	Hydraulic Tank Cleanout Cover (Effective 6/16/10 to 5/2/14)	1.0 EA	82.61
107	MFD00002	Hose Clamp	3.0 EA	4.41
108	MHA00046	2" ID Fuel Fill Hose X 13" LG (Effective 10/13/10 to 10/13/16)	1.0 EA	58.81
108	MHA00090	2" Fuel Hose X 6"LG	1.0 EA	40.79
109	MHA00059	5/8" ID Fuel Hose	6.0 FT	0.00
110	MAH00234	Length 18 Captv Qtr Turn Stud (Effective 1/5/11 to 1/20/11)	2.0 EA	0.00
110	MAH00240	Replaced by MAH00242 (Effective 1/21/11 to 10/29/13)	2.0 EA	0.00
110	MAH00242	Length 19 Captv Qtr Turn Stud	2.0 EA	6.01
111	MCC00007	Push-on Retainer Ring SS	2.0 EA	0.80
112	MAH00236	Qtr Turn Stud Receptacle	2.0 EA	3.32
113	MCL00006	1/8X.313-.375 Dome HD Rivet SS (Effective 1/5/11 to 1/20/11)	4.0 EA	0.28
113	MCL00011	1/8X.376-.500 Dome HD Rivet SS	4.0 EA	0.36
114	T9017201	Fuel Pump/Heater/Filter Modification Assembly	1.0 EA	677.00
115	T9040901	Fuel Pump Brace	1.0 EA	0.00
116	MAB00004	1/4-20NCX1LG Hhcs	2.0 EA	0.32
117	MBF00005	1/4 TY 'a' Wide FL Wshr Stl PL	8.0 EA	0.11
118	MFA00194	6MPT/2FPT Adapter	1.0 EA	5.47
119	MFA00198	2MPT/3/16 Elbow Hose Barb	2.0 EA	8.77
120	MFA00209	4MPT/ 5/16 Hose Barb Elbow	1.0 EA	27.28
121	MHA00012	1/4 Tube Clamp	8.0 EA	3.45
122	MHA00044	FUELHOSE3/16ID(4.8MM)SAE30R7	13.5 FT	6.80
123	MHA00045	Fuelhose 5/16ID(8MM) SAE30R7	17.5 FT	6.43
124	MHC00047	2MPTX3/16 Hose Barb Fitting	1.0 EA	0.00
125	MHC00048	4MPTX5/16 Hose Barb Fitting	2.0 EA	5.71
126	MHC00071	2MPT/2FPT/2FPT Tee	1.0 EA	0.00
127	MLJ00076	1" Loop Clamp	1.0 EA	0.00
128	MJQ00355	Foam Tape	0.5 FT	6.54
129	MJQ00509	1/2" Edge Trim	0.833 FT	0.00
130	MBF00006	5/16TY 'a' Wide FL Wshr Stl PL (Effective 1/14/13 to 3/18/13)	4.0 EA	0.11
131	T9040801	Radio Rcvr & Fuel Pump Mount	1.0 EA	107.00
132	T9020901	Replaced by MQD00071 (Effective 1/31/13 to 10/1/14)	1.0 EA	0.00
132	MQD00070	T900/T630 Radio Control Set (Effective 10/1/14 to 10/28/15)	1.0 EA	0.00
132	MQD00071	T900/T630 Radio Control Set	1.0 EA	12,317.00
133	MBC00005	1/4-20NC Fnsh Hex Nyl Lck Nut (Effective 1/31/13 to 10/28/15)	4.0 EA	0.39
134	MBH00087	Unthrd Female Aluminum Spacer	2.0 EA	7.87
135	MEE00021	Pressure Gauge	1.0 EA	33.15
136	T9041001	T900 Rad Rec Adapter Plate (Effective 10/1/14 to 10/28/15)	1.0 EA	0.00
137	T9046501	Gfci Box Mount Wld	1.0 EA	336.00
138	T9046601	Gfci Access Cover	1.0 EA	94.93
139	MAF00001	1/4DIA X3/8LG Skt HD Shldr Scr	2.0 EA	1.15
140	MBC00004	#10-24NC Mach Scr Nyl Lck Nut	2.0 EA	0.31
141	MBG00027	1/4 Flat White/nat Nyl Washer	6.0 EA	0.39
142	MJQ00401	1/8" Edge Trim	0.437 FT	2.15

McElroy Manufacturing Parts List

Part Number: T9000202 TracStar 900 Vehicle Chassis Assembly

143	MAB00174	1/2-13NCX3-1/2LG Hhcs	2.0 EA	2.85
144	MBC00009	1/2-13NC Fnsh Hex Nyl Lck Nut	2.0 EA	0.73
145	MQB00072	Repl by MQB00099 OR MQB00100 (Effective 6/2/15 to 6/2/19)	1.0 EA	0.00
145	MQB00099	60A,240V,3PH Gfci for T900S1	1.0 EA	3,600.00
146	MBC00007	3/8-16NC Fnsh Hex Nyl Lck Nut	2.0 EA	0.39
147	MBF00006	5/16TY 'a' Wide FL Wshr Stl PL	2.0 EA	0.11
148	MAR00058	M6-1X8MM LG Shcs SS	4.0 EA	0.00
149	MDA00287	5/8ID X 2 Vinyl End Cap	1.0 EA	0.00
150	MJQ00602	90 Deg Fuel Tank 5/8" Vent	1.0 EA	45.81
151	MHA00089	1-1/2" Fuel Hose X 5"LG	1.0 EA	0.00
152	MDA00293	Fuel Tank Inlet Control Valve	1.0 EA	93.09

Please visit <https://fusion.mcelroy.com/parts> to purchase parts or for more information.

