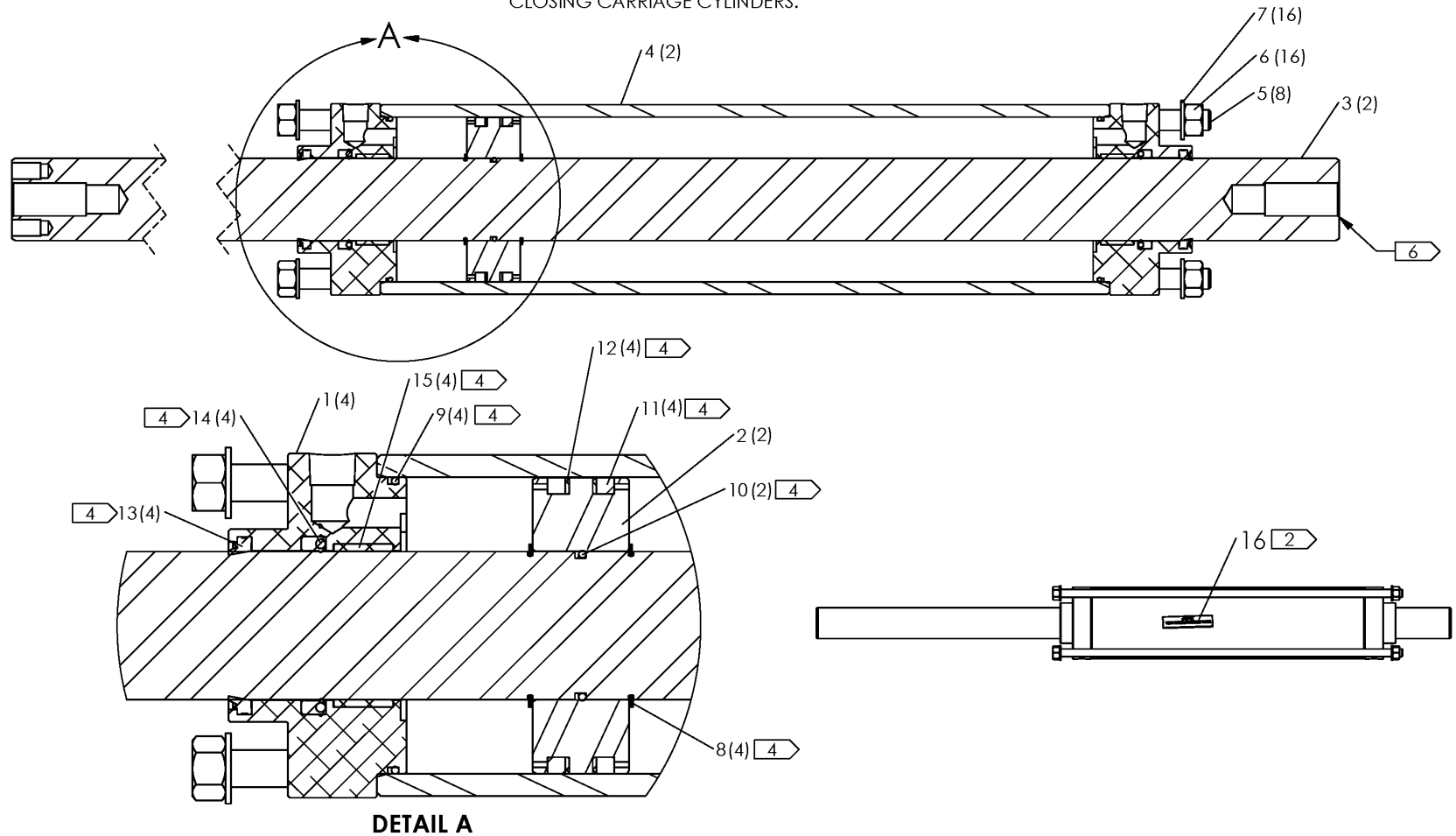


## TracStar® 900 HIGH FORCE CYLINDER WITH WEAR BANDS ASSEMBLY SET

NOTE: THIS DRAWING AND THE INFORMATION CONTAINED THEREIN IS THE CONFIDENTIAL AND PROPRIETARY PROPERTY OF McElroy Manufacturing, Inc. THE DRAWING IS NOT TO BE REPRODUCED IN ANY MANNER, SUBMITTED TO OUTSIDE PARTIES FOR EXAMINATION, OR USED DIRECTLY OR INDIRECTLY FOR THE PURPOSES OTHER THAN THOSE FOR WHICH IT WAS FURNISHED WITHOUT WRITTEN PERMISSION OF McElroy Manufacturing, Inc.

### NOTES:

1. TOTAL EFFECTIVE PISTON AREA = 29.44in<sup>2</sup>.
2. ATTACH TO THE OUTSIDE OF OPERATOR SIDE CARRIAGE CYLINDER.
3. FOR REPLACEMENT BLEED PORT FITTING ORDER PART NUMBER MFA00001.
4. THESE ITEMS ARE PART OF PART NUMBER AT9049201 SEAL KIT.
5. NUMBERS SHOWN IN PARENTHESIS REFLECT QUANTITIES IN A LOCAL GROUP AND MAY NOT INDICATE TOTAL ASSEMBLY QUANTITIES.
6. INSTALL PISTON FROM END WITH SINGLE TAPPED HOLE, USING CHAMFER ON THE I.D. TO EASE INSTALLATION OVER O-RING. INSTALL CYLINDER IN CARRIAGE WITH END WITH 6 TAPPED HOLES INTO FIXED JAW. RESULTANT DIRECTION OF SINGLE SIDED CHAMFER ON PISTON MAKE STRONGEST RETAINING RING JOINT CLOSING CARRIAGE CYLINDERS.



## McElroy Manufacturing Parts List

**Part Number:** T9000504 TracStar 900 High Force Cylinder w/wear bands Assembly Set

### Part Number T9000504 Component List

Item	Component	Description	Quantity	Unit	Price
1	2413603	HF Hyd Cylinder Rod Gland	4.0	EA	632.00
2	2410101	HF Piston	2.0	EA	703.00
3	T9002702	Guide Rod	2.0	EA	2,029.00
4	T9002902	HF Carriage Cylinder	2.0	EA	1,355.00
5	T9002801	Tie Rod	8.0	EA	153.00
6	MBA00031	5/8-18NF Fnsh Hex Nut Stl PL	16.0	EA	0.69
7	MBG00003	5/8 Type 'an' Type Wshr Stl PL	16.0	EA	0.65
8	MCB00015	Ext Snap Ring (Effective to 4/1/26)	4.0	EA	2.73
8	MCBP1103457	2.5" Heavy Duty Spirolox Ring	4.0	EA	6.00
9	MDL00019	O-ring	4.0	EA	3.80
10	MDL00007	O-ring	2.0	EA	1.58
11	MDL00040	Seal 4-7/16 ID X 5OD	4.0	EA	24.29
12	MDL00039	Washer	4.0	EA	16.13
13	MDL00293	Polyurethane Piston Wiper	4.0	EA	32.47
14	MDL00291	Polyurethane Piston Seal	4.0	EA	82.52
15	MDM00465	Glass Fill Nylon Wear Ring	4.0	EA	30.45
16	816314	29.44 SQ IN Tapa Label	1.0	EA	10.11

Please visit <https://fusion.mcelroy.com/parts> to purchase parts or for more information.