



McElroy Manufacturing, Inc.

The leader by design.

Tulsa, Oklahoma U.S.A.

DRAWN:

TLW

CHECK:

DWP

APPRV'D:

JRP

DATE:

5/11/06

SHT

No: 1

REV

No: B

PART

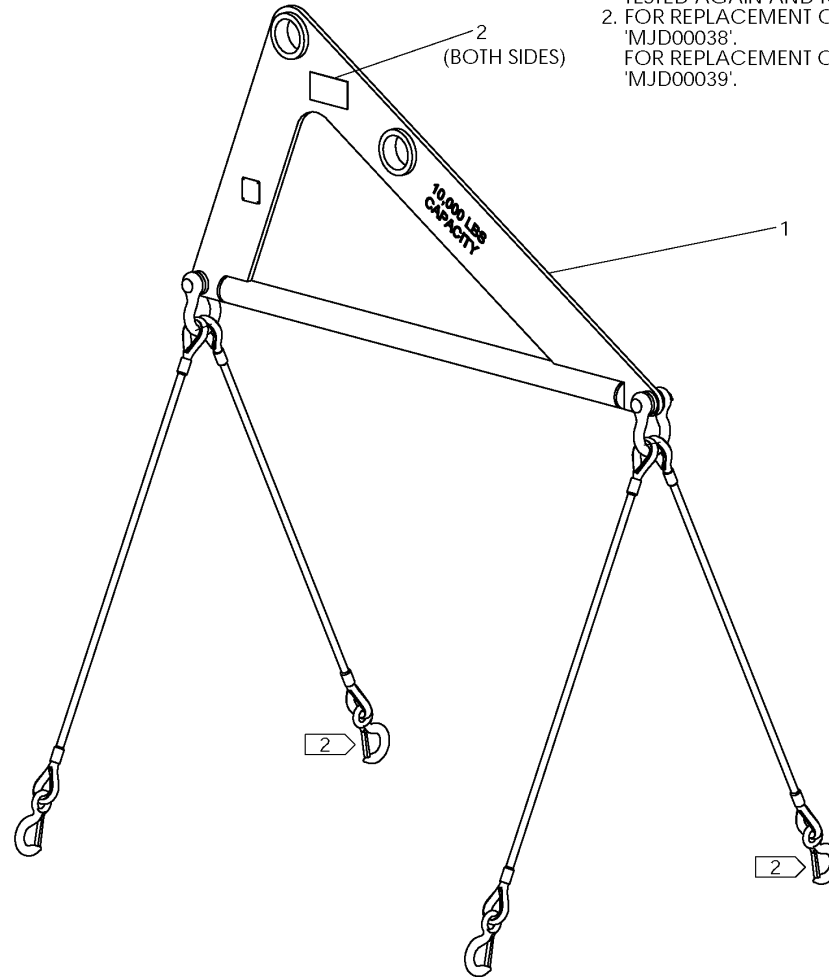
No: T9000601

TracStar® 900 SPREADER BAR ASSEMBLY

NOTE: THIS DRAWING AND THE INFORMATION CONTAINED THEREIN IS THE CONFIDENTIAL AND PROPRIETARY PROPERTY OF McElroy Manufacturing, Inc. THE DRAWING IS NOT TO BE REPRODUCED IN ANY MANNER, SUBMITTED TO OUTSIDE PARTIES FOR EXAMINATION, OR USED DIRECTLY OR INDIRECTLY FOR THE PURPOSES OTHER THAN THOSE FOR WHICH IT WAS FURNISHED WITHOUT WRITTEN PERMISSION OF McElroy Manufacturing, Inc.

NOTES:

1. THIS ASSEMBLY IS PROOF TESTED AND CERTIFIED TO LIFT SPECIFIED LOAD SHOWN ON THE DRAWING. REPLACEMENT PARTS ARE AVAILABLE ONLY BY SENDING ENTIRE SPREADER BAR ASSEMBLY BACK TO McELROY MFG. AFTER THE REPLACEMENT PARTS HAVE BEEN INSTALLED, THE ASSEMBLY WILL BE PROOF TESTED AGAIN AND RE-CERTIFIED.
2. FOR REPLACEMENT OF # 27 HOOK SAFETY LATCH ONLY ORDER 'MJD00038'.
FOR REPLACEMENT OF # 25 HOOK SAFETY LATCH ONLY ORDER 'MJD00039'.



McElroy Manufacturing Parts List

Part Number: T9000601 TracStar 900 Spreader Bar Assembly

Part Number T9000601 Component List

Item	Component	Description	Quantity	Unit	Price
1	T9000602	Spreader Bar Wld W/ Slings	1.0	EA	0.00
2	T9012802	Spreader Bar Label	2.0	EA	30.77

Please visit <https://fusion.mcelroy.com/parts> to purchase parts or for more information.

