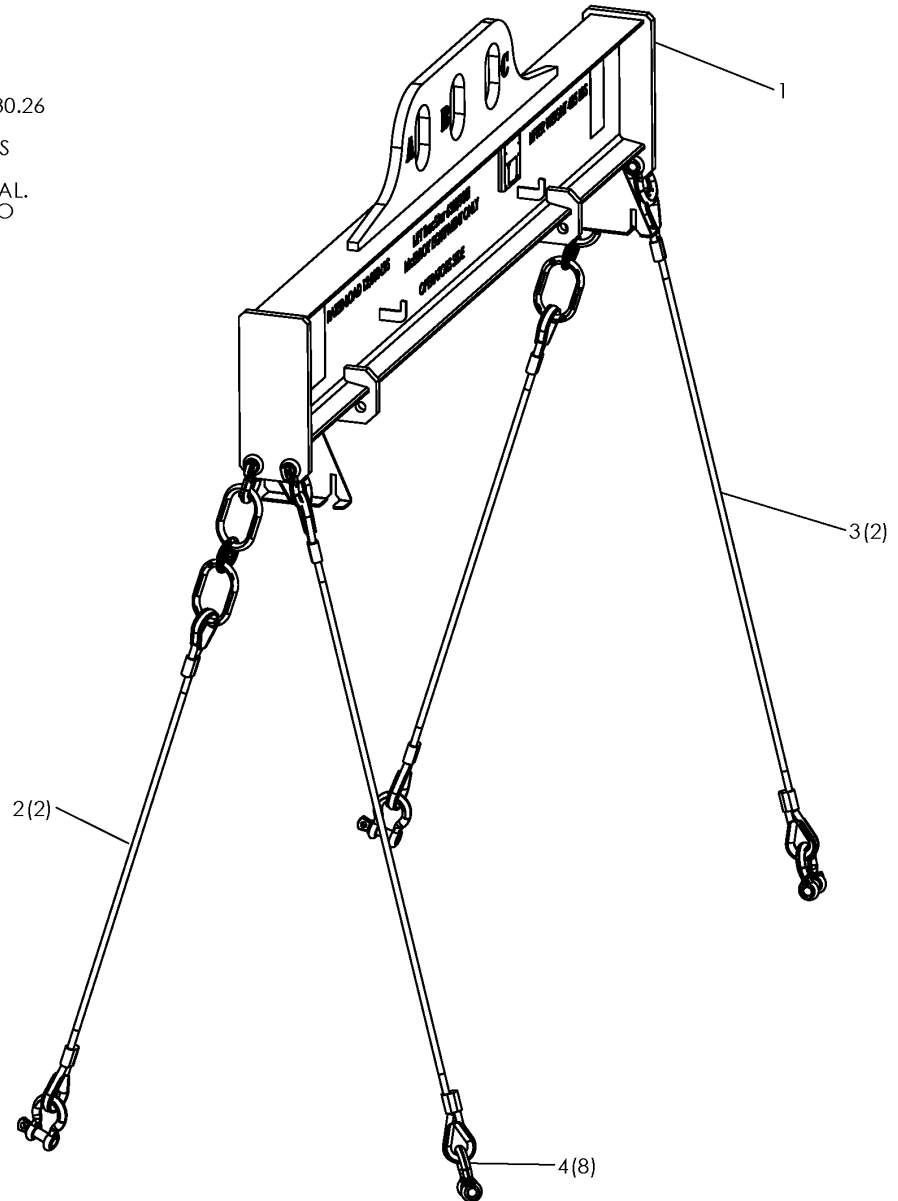


TracStar® 630i / TracStar® 900i SPREADER BAR ASSEMBLY

NOTE: THIS DRAWING AND THE INFORMATION CONTAINED THEREIN IS THE CONFIDENTIAL AND PROPRIETARY PROPERTY OF McElroy Manufacturing, Inc. THE DRAWING IS NOT TO BE REPRODUCED IN ANY MANNER, SUBMITTED TO OUTSIDE PARTIES FOR EXAMINATION, OR USED DIRECTLY OR INDIRECTLY FOR THE PURPOSES OTHER THAN THOSE FOR WHICH IT WAS FURNISHED WITHOUT WRITTEN PERMISSION OF McElroy Manufacturing, Inc.

NOTES:

1. THIS SPREADER BAR ASSEMBLY COMPLIES WITH ASME B30.20 & B30.26
2. ASME BTH-1 DESIGN CATEGORY B, SERVICE CLASS 0.
3. THIS ASSEMBLY IS PROOF TESTED AND CERTIFIED TO LIFT 12,000 LBS AS SPECIFIED ON McELROY NAMEPLATE ATTACHED TO BEAM.
4. FOR USE INSTRUCTIONS, REFER TO MACHINE OPERATIONS MANUAL. LIFTING CONFIGURATIONS ALSO SHOWN ON LABEL ATTACHED TO BEAM.



McElroy Manufacturing Parts List

Part Number: T900P0866465 TracStar 630i / 900i Spreader Bar Assembly

Part Number T900P0866465 Component List

Item	Component	Description	Quantity	Unit	Price
1	T900P0866477	T630I/900I Spreader Bar Wld	1.0	EA	0.00
2	T900P0874296	Sling 54-3/4" W/ Master Link	2.0	EA	442.00
3	T900P0874299	Sling 61-1/2'	2.0	EA	130.00
4	MJD00084	4.75T Screw Typ Anchor Shackle	8.0	EA	87.50

Please visit <https://fusion.mcelroy.com/parts> to purchase parts or for more information.

