

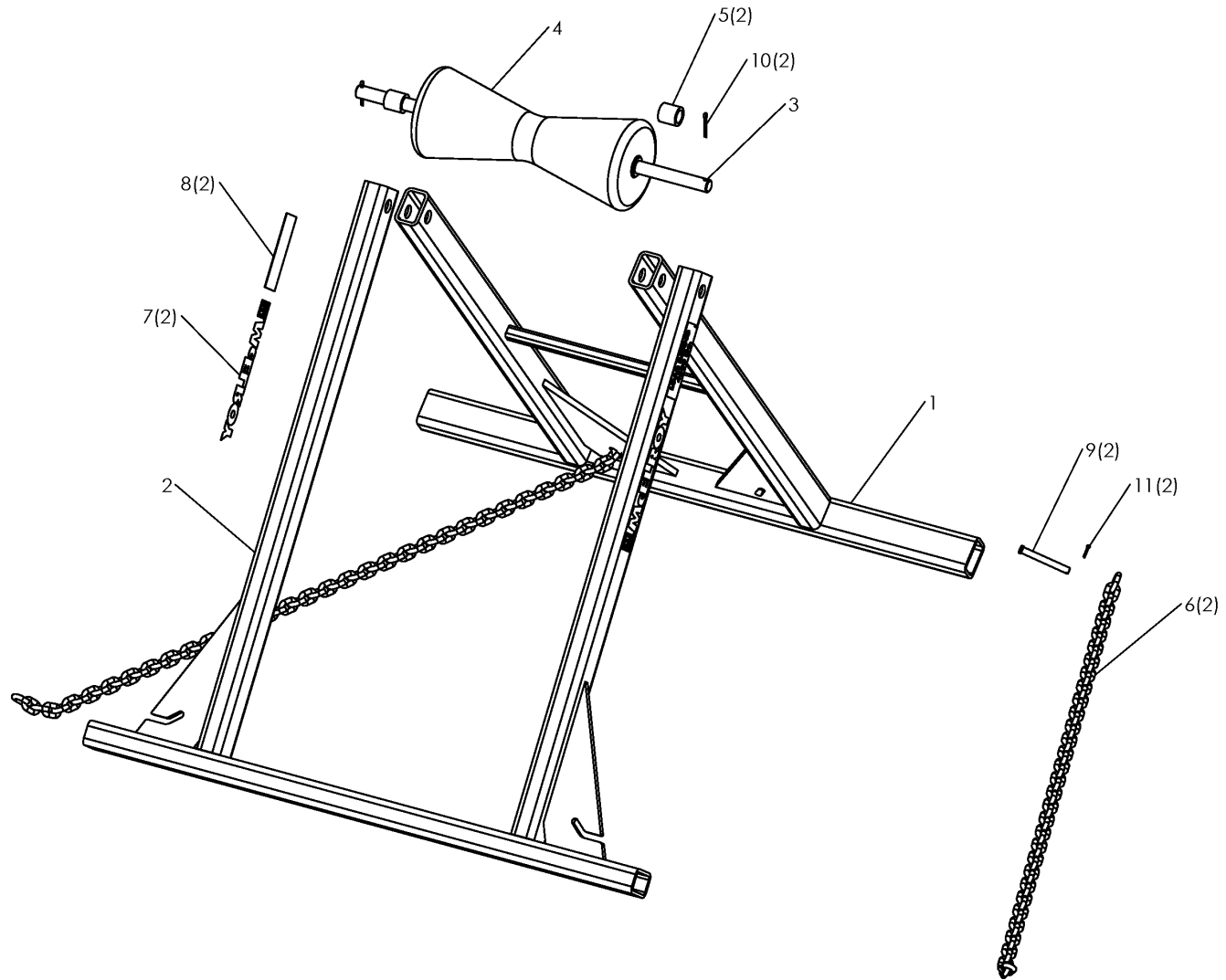


McElroy Manufacturing, Inc.  
The leader by design.  
Tulsa, Oklahoma U.S.A.

DRAWN: CRN    CHECK: BWJ    APPRVD: JAL    DATE: 1/4/16    SHT No: 1    REV No:    PART No: T9055801

24/630/36/900 STANDARD PIPE STAND ASSEMBLY

NOTE: THIS DRAWING AND THE INFORMATION CONTAINED THEREIN IS THE CONFIDENTIAL AND PROPRIETARY PROPERTY OF McElroy Manufacturing, Inc. THE DRAWING IS NOT TO BE REPRODUCED IN ANY MANNER, SUBMITTED TO OUTSIDE PARTIES FOR EXAMINATION, OR USED DIRECTLY OR INDIRECTLY FOR THE PURPOSES OTHER THAN THOSE FOR WHICH IT WAS FURNISHED WITHOUT WRITTEN PERMISSION OF McElroy Manufacturing, Inc.



## McElroy Manufacturing Parts List

**Part Number:** T9055801 24/630/36/900 Standard Pipe Stand Assembly

### Part Number T9055801 Component List

Item	Component	Description	Quantity	Unit	Price
1	T9056001	Std Pipe Stand Inner Leg Wld	1.0	EA	1,097.00
2	T9056101	Std Pipe Stand Outer Leg Wld	1.0	EA	1,097.00
3	T9056401	Pipe Stand Roller Shaft	1.0	EA	128.00
4	T9056501	Pipe Stand Roller W/bushings	1.0	EA	1,490.00
5	T9056601	Std Pipe Stand Shaft Spacer	2.0	EA	27.47
6	4828601	Chain Modification	2.0	EA	102.00
7	8163119	Medium McElroy Branding Label	2.0	EA	10.77
8	8163299	4500 LB Load Rating Label	2.0	EA	27.26
9	MCF00062	1/2DIAX3-3/4 Grip Clevis Pin	2.0	EA	9.80
10	MCH00003	3/16DIAX1-1/2LG Cotter Pin	2.0	EA	0.15
11	MCH00020	1/8DIAX3/4LG Cotter Pin	2.0	EA	0.21

Please visit <https://fusion.mcelroy.com/parts> to purchase parts or for more information.