

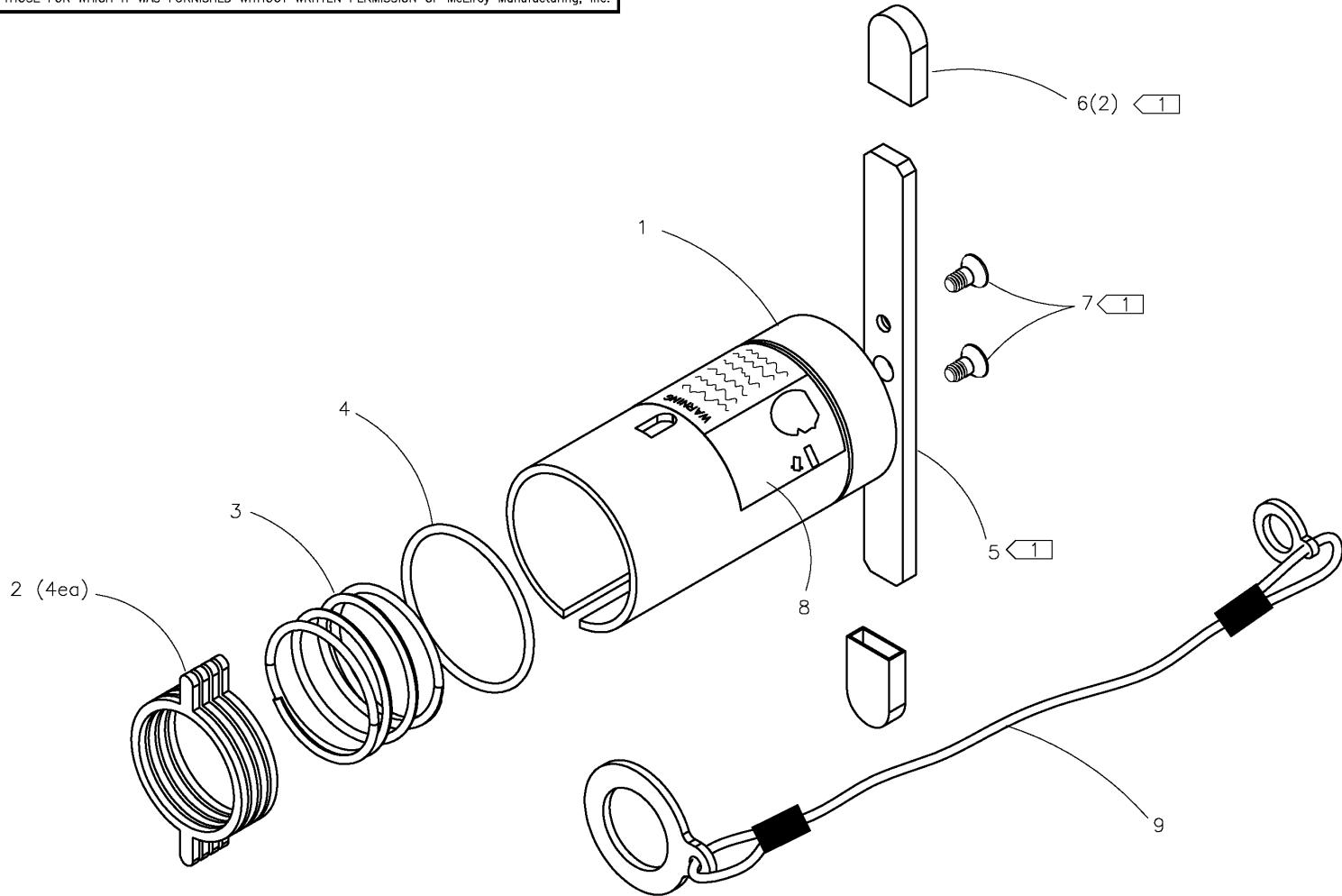


McElroy Manufacturing, Inc.
 The leader by design.
 Tulsa, Oklahoma U.S.A.

| | | | | | | | |
|-------------------|------------|--------------|----------------|----------------|-----------|---------|--------------------|
| DRAWN: BWW | CHECK: MLM | APPRV'D: SRB | DATE: 11/19/04 | DWG No: TP-300 | SHT No: 1 | REV No: | PART No: TABULATED |
| TEST CAP ASSEMBLY | | | | | | | CAD No: TP-300 |

NOTE: THIS DRAWING AND THE INFORMATION CONTAINED THEREIN IS THE CONFIDENTIAL AND PROPRIETARY PROPERTY OF McElroy Manufacturing, Inc. THE DRAWING IS NOT TO BE REPRODUCED IN ANY MANNER, SUBMITTED OUTSIDE PARTIES FOR EXAMINATION, OR USED DIRECTLY OR INDIRECTLY FOR THE PURPOSES OTHER THAN THOSE FOR WHICH IT WAS FURNISHED WITHOUT WRITTEN PERMISSION OF McElroy Manufacturing, Inc.

NOTES:
 1. PARTS FOR 2" IPS ONLY.



UNLESS NOTED OTHERWISE: (3) PLC. DIM'S .XXX = ±0.005"
 (2) PLC. DIM'S .XX = ±0.010"
 FRACTIONAL DIM'S = ±1/32"
 ANGULAR DIM'S = ±1/4"
 REMOVE ALL BURRS
 BREAK ALL SHARP EDGES
 STAMP OR ETCH P/N ON ALL DETAIL PARTS

| MMI NUMBER | ITEM | QTY. | SIZE AND DESCRIPTION |
|------------|------|------|----------------------|
| | | | |

McElroy Manufacturing Parts List

Part Number: TP-310 2IPS Test Cap Assembly

Part Number TP-310 Component List

| Item | Component | Description | Quantity | Unit | Price |
|------|-----------|---------------------------------|----------|------|-------|
| 1 | TP-410 | 2IPS Test Cap Housing | 1.0 | EA | 0.00 |
| 2 | TP-610 | 2IPS Test Cap Locking Ring | 4.0 | EA | 12.61 |
| 3 | TP-704 | 2IPS TC Compression Spring | 1.0 | EA | 18.81 |
| 4 | MDL00176 | Buna-n 70 Duro O-ring | 1.0 | EA | 1.00 |
| 5 | TP-501 | Test Cap Handle | 1.0 | EA | 29.06 |
| 6 | MJJ00011 | Black Flat Vinyl Hand Grip | 2.0 | EA | 5.25 |
| 7 | MAN00014 | 1/4-20NCX1/2LG Fhscs SS | 2.0 | EA | 0.49 |
| 8 | TP-1201 | Test Cap Warning Label | 1.0 | EA | 8.25 |
| 9 | TP-1110 | 2 IPS Test Cap Lanyard Assembly | 1.0 | EA | 83.79 |

Please visit <https://fusion.mcelroy.com/parts> to purchase parts or for more information.

