

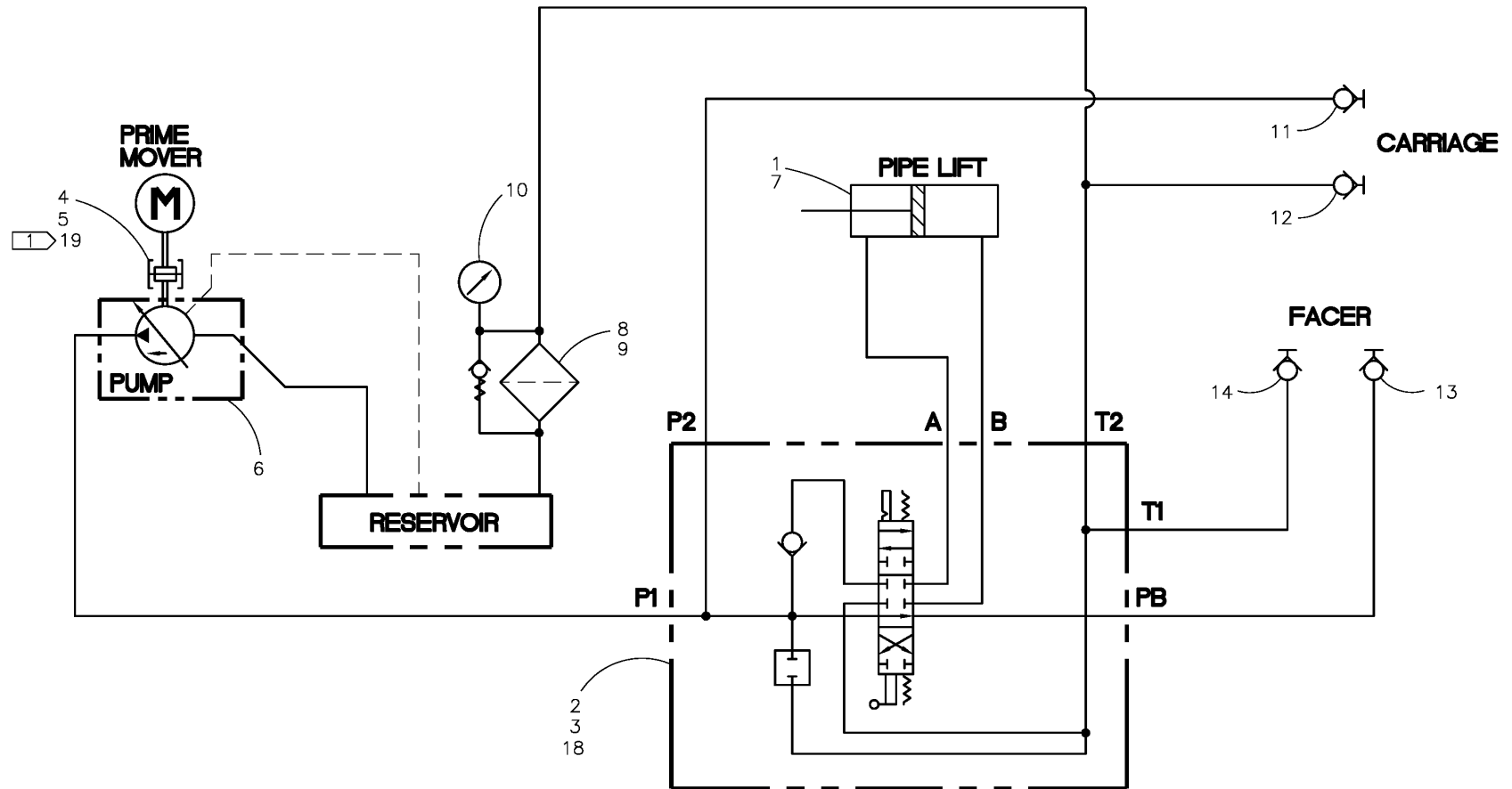


McElroy Manufacturing, Inc.
The leader by design.
Tulsa, Oklahoma U.S.A.

DRAWN: BWW	CHECK: BLM	APPRV'D: SWB	DATE: 02/17/03	DWG No: 1869300	SHT No: 1	REV No: F	PART No: 1869301
#412/#618 HYDRAULIC SCHEMATIC							CAD No: 1869301

NOTE: THIS DRAWING AND THE INFORMATION CONTAINED THEREIN IS THE CONFIDENTIAL AND PROPRIETARY PROPERTY OF McElroy Manufacturing, Inc. THE DRAWING IS NOT TO BE REPRODUCED IN ANY MANNER, SUBMITTED TO OUTSIDE PARTIES FOR EXAMINATION, OR USED DIRECTLY OR INDIRECTLY FOR THE PURPOSES OTHER THAN THOSE FOR WHICH IT WAS FURNISHED WITHOUT WRITTEN PERMISSION OF McElroy Manufacturing, Inc.

NOTES:
1. THIS ITEM IS A SUB-ASSEMBLY ON A SEPARATE DRAWING.



McElroy Manufacturing Parts List

Part Number: 1869301 412/618 Hydraulic Schematic

Part Number 1869301 Component List

Item	Component	Description	Quantity	Unit	Price
1	1237301	Fem Rod Eye	1.0	EA	82.84
2	MEF00079	1-SPOOL Dir Valve, Less Hdl	1.0	EA	311.00
3	MEF00077	Valve Hand Lever	1.0	EA	7.58
4	MAB00064	3/8-16NCX1LG Hhcs	4.0	EA	0.36
5	MBE00007	3/8 Reg Splt Lck Wshr Stl PL	4.0	EA	0.11
6	MEA00026	Piston Pump (Effective 11/10/03 to 12/21/11)	1.0	EA	2,120.00
6	1881601	412/618 Rolling Oilgear Pump Assembly	1.0	EA	2,120.00
6	1881701	412/618 Rolling Parker Pump Assembly (Effective 12/22/11 to 2/27/12)	1.0	EA	0.00
7	MEB00128	3-1/2B X 3S X 1R Hyd Cyl W/pin	1.0	EA	1,088.00
8	MED00056	Filter Head	1.0	EA	34.12
9	MED00051	10 Micron ZAE-10 Filter Elem	1.0	EA	36.12
10	MEE00021	Pressure Gauge	1.0	EA	37.34
11	MFH00044	3/8 Fsae Quick Disc Nipple	1.0	EA	19.10
12	MFH00043	3/8 Fsae Quick Disc Coupler	1.0	EA	37.37
13	MFH00046	1/2 Fsae Quick Disc Nipple	1.0	EA	19.97
14	MFH00045	1/2 Fsae Quick Disc Coupler	1.0	EA	42.78
15	MAB00040	5/16-18NCX2-3/4LG Hhcs (Effective 3/24/03 to 10/17/16)	2.0	EA	0.49
16	MBE00006	5/16 Reg Splt Lck Wshr Stl PL (Effective 3/24/03 to 10/17/16)	2.0	EA	0.10
17	MBA00006	5/16-18NC Fnsh Hex Nut Stl PL (Effective 3/24/03 to 10/17/16)	2.0	EA	0.28
18	816305	Pipe Lift Label	1.0	EA	8.73
19	1813402	412/618 Bearing Housing Assembly	1.0	EA	1,040.00

Please visit <https://fusion.mcelroy.com/parts> to purchase parts or for more information.