



McElroy Manufacturing, Inc.  
The leader by design.  
Tulsa, Oklahoma U.S.A.

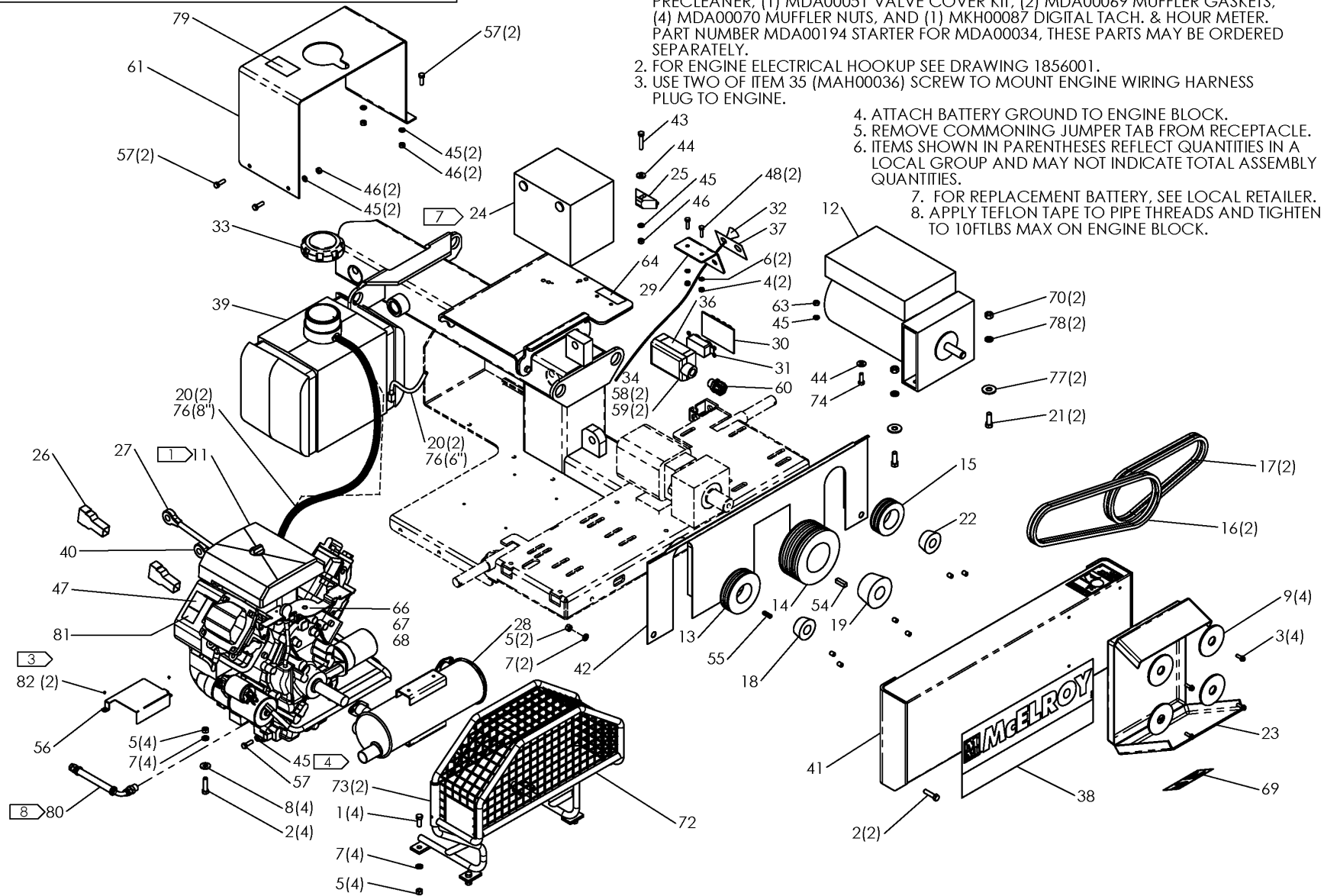
DRAWN: BWW CHECK: BLM APPRVD: SWB DATE: 07/29/03 SHT No: 1A REV No: P PART No: 1869701

#412/#618 GAS POWER ASSEMBLY

NOTE: THIS DRAWING AND THE INFORMATION CONTAINED THEREIN IS THE CONFIDENTIAL AND PROPRIETARY PROPERTY OF McElroy Manufacturing, Inc. THE DRAWING IS NOT TO BE REPRODUCED IN ANY MANNER, SUBMITTED TO OUTSIDE PARTIES FOR EXAMINATION, OR USED DIRECTLY OR INDIRECTLY FOR THE PURPOSES OTHER THAN THOSE FOR WHICH IT WAS FURNISHED WITHOUT WRITTEN PERMISSION OF McElroy Manufacturing, Inc.

NOTES:

- ITEM 11 MDA00034 INCLUDES (1) MDA00039 KEY SWITCH, (1) MDA00038 STARTER HARNESS, (1) MDA00043 FUEL FILTER, (1) MDA00044 AIR FILTER, (1) MDA00045 AIR PRECLEANER, (1) MDA00051 VALVE COVER KIT, (2) MDA00069 MUFFLER GASKETS, (4) MDA00070 MUFFLER NUTS, AND (1) MKH00087 DIGITAL TACH. & HOUR METER. PART NUMBER MDA00194 STARTER FOR MDA00034, THESE PARTS MAY BE ORDERED SEPARATELY.
- FOR ENGINE ELECTRICAL HOOKUP SEE DRAWING 1856001.
- USE TWO OF ITEM 35 (MAH00036) SCREW TO MOUNT ENGINE WIRING HARNESS PLUG TO ENGINE.
- ATTACH BATTERY GROUND TO ENGINE BLOCK.
- REMOVE COMMONING JUMPER TAB FROM RECEPTACLE.
- ITEMS SHOWN IN PARENTHESES REFLECT QUANTITIES IN A LOCAL GROUP AND MAY NOT INDICATE TOTAL ASSEMBLY QUANTITIES.
- FOR REPLACEMENT BATTERY, SEE LOCAL RETAILER.
- APPLY TEFLON TAPE TO PIPE THREADS AND TIGHTEN TO 10FTLBS MAX ON ENGINE BLOCK.



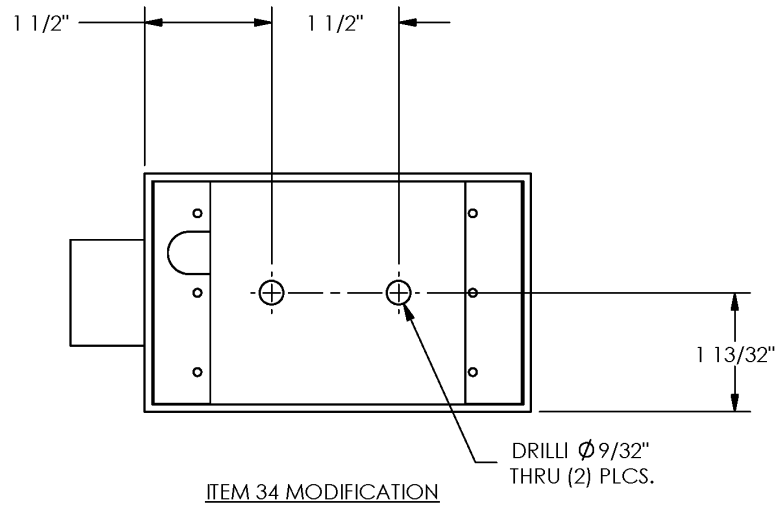
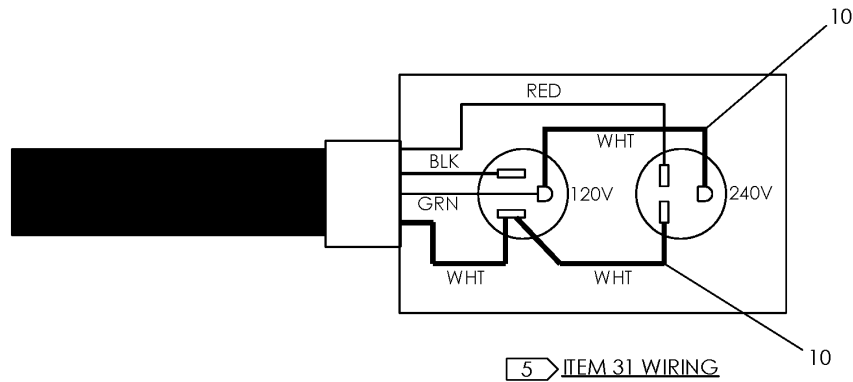


McElroy Manufacturing, Inc.  
The leader by design.  
Tulsa, Oklahoma U.S.A.

DRAWN: BWW    CHECK: BLM    APPRVD: SWB    DATE: 07/29/03    SHT No: 1B    REV No: P    PART No: 1869701

#412/#618 GAS POWER ASSEMBLY

NOTE: THIS DRAWING AND THE INFORMATION CONTAINED THEREIN IS THE CONFIDENTIAL AND PROPRIETARY PROPERTY OF McElroy Manufacturing, Inc. THE DRAWING IS NOT TO BE REPRODUCED IN ANY MANNER, SUBMITTED TO OUTSIDE PARTIES FOR EXAMINATION, OR USED DIRECTLY OR INDIRECTLY FOR THE PURPOSES OTHER THAN THOSE FOR WHICH IT WAS FURNISHED WITHOUT WRITTEN PERMISSION OF McElroy Manufacturing, Inc.





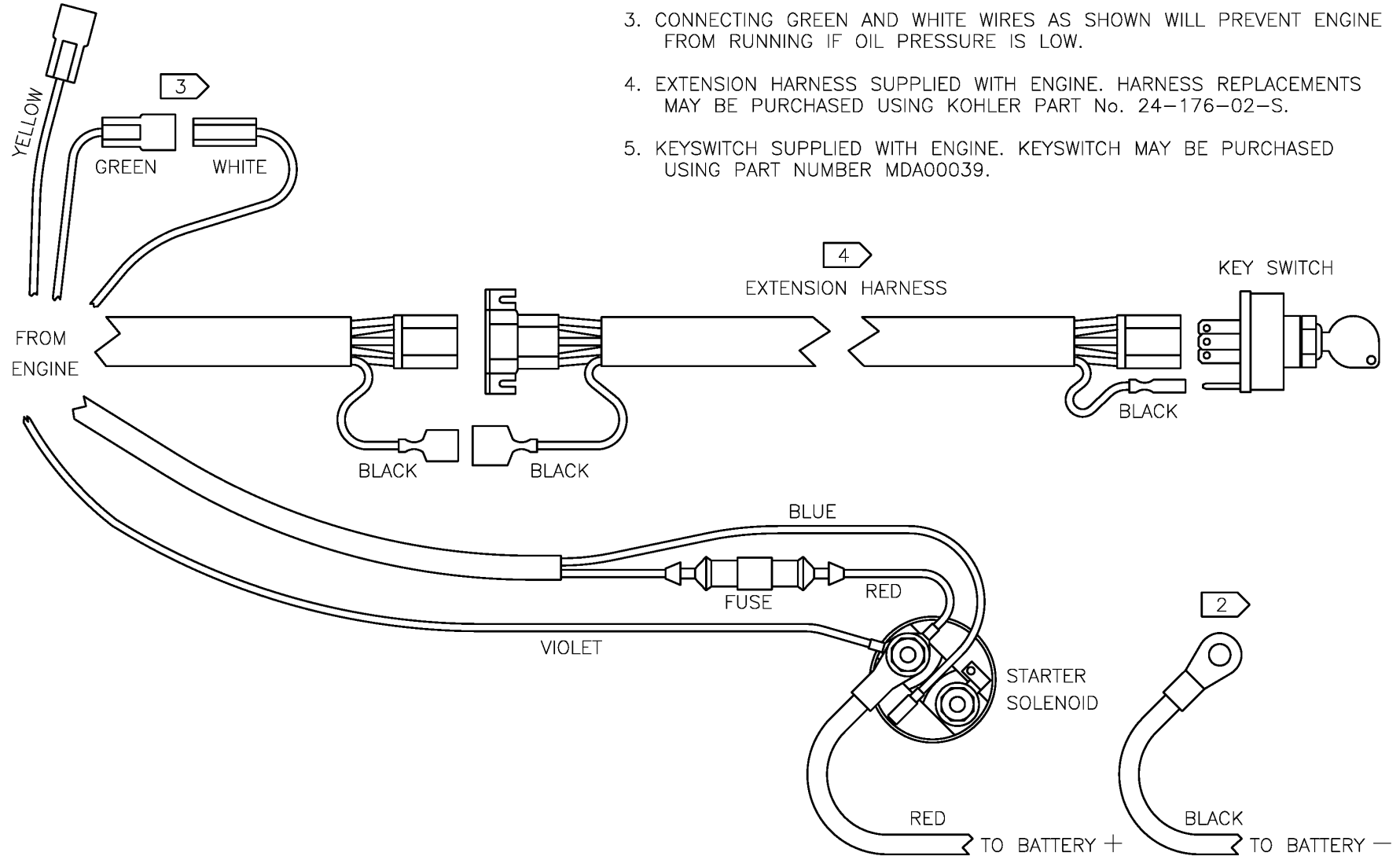
DRAWN: BEA	CHECK: RAD	APPRVD: TMT	DATE: 5/7/97	DWG No: 1856000	SHT No: 1	REV No: D	PART No: 1856001
#412/#618 KOHLER ENGINE WIRING DIAGRAM							CAD No: 1856001

NOTE: THIS DRAWING AND THE INFORMATION CONTAINED THEREIN IS THE CONFIDENTIAL AND PROPRIETARY PROPERTY OF McElroy Manufacturing, Inc. THE DRAWING IS NOT TO BE REPRODUCED IN ANY MANNER, SUBMITTED OUTSIDE PARTIES FOR EXAMINATION, OR USED DIRECTLY OR INDIRECTLY FOR THE PURPOSES OTHER THAN THOSE FOR WHICH IT WAS FURNISHED WITHOUT WRITTEN PERMISSION OF McElroy Manufacturing, Inc.

NOTES:

1. USE FOR KOHLER COMMAND CH18S ENGINE (MDA00034).
2. BOLT NEGATIVE BATTERY LEAD TO ENGINE BLOCK.
3. CONNECTING GREEN AND WHITE WIRES AS SHOWN WILL PREVENT ENGINE FROM RUNNING IF OIL PRESSURE IS LOW.
4. EXTENSION HARNESS SUPPLIED WITH ENGINE. HARNESS REPLACEMENTS MAY BE PURCHASED USING KOHLER PART No. 24-176-02-S.
5. KEYSWITCH SUPPLIED WITH ENGINE. KEYSWITCH MAY BE PURCHASED USING PART NUMBER MDA00039.

NO CONNECTION



## McElroy Manufacturing Parts List

**Part Number:** 1869701 412/618 Gas Power Assembly (Replaced by 1880001)

**Part Number 1869701 Component List**

Item	Component	Description	Quantity	Unit	Price
1	MAB00064	3/8-16NCX1LG Hhcs	4.0	EA	0.36
2	MAB00066	3/8-16NCX1-1/2LG Hhcs	6.0	EA	0.47
3	MAH00109	1/4-20NCX3/4 Hwh TC Screw SS	4.0	EA	1.00
4	MBA00005	1/4-20NC Fnsh Hex Nut Stl PL	2.0	EA	0.28
5	MBA00007	3/8-16NC Fnsh Hex Nut Stl PL	10.0	EA	0.28
6	MBE00005	1/4 Reg Splt Lck Washer Stl PL	2.0	EA	0.10
7	MBE00007	3/8 Reg Splt Lck Wshr Stl PL	10.0	EA	0.11
8	MBF00007	3/8 TY 'a' Wide FL Wshr Stl PL	4.0	EA	0.10
9	MBG00031	1/4 Fender Washer Stl PL	4.0	EA	0.27
10	MLL00052	#14 Mtw/tew Wire, White	0.5	FT	0.38
11	MDA00034	19 HP Kohler Motor	1.0	EA	2,746.00
12	T1201701	Rolling 412/618/TracStar 28 Generator with Wiring Assembly	1.0	EA	1,029.00
13	MDD00005	3V,2GR,4.50 Od,tl, V-grv Shv	1.0	EA	87.38
14	MDD00013	3V,4GR,6.00 Od,tl, V-grv Shv	1.0	EA	132.00
15	MDD00054	3V,2GR,3.65 Od,tl, V-grv Shv	1.0	EA	85.38
16	MDE00010	3VX-425 V-belt	2.0	EA	17.51
17	MDE00029	3VX-335 V-belt	2.0	EA	14.66
18	MDI00001	#1610, 1-1/8B, TL Hub	1.0	EA	33.58
19	MDI00008	#2517, 1-1/2B, TL Hub	1.0	EA	54.02
20	MHA00012	1/4 Tube Clamp	4.0	EA	2.22
21	MAB00099	7/16-14NCX1-1/4LG Hhcs	2.0	EA	0.49
22	MDI00018	#1610,24MM B TI Hub	1.0	EA	38.01
23	MJQ00260	Std 8-1/2X11 Literature Compt	1.0	EA	45.40
24	MKG00014	12V Battery	1.0	EA	0.00
25	MLN00399	Battery Toe Clamp	1.0	EA	9.20
26	MLN00400	Battery Terminal Cover Set	1.0	EA	9.20
27	1857501	12/18 Red Battery Cable Mod	1.0	EA	54.07
28	MDA00037	Muffler for MDA00034	1.0	EA	192.00
29	1824101	Start Switch Panel	1.0	EA	63.35
30	MLB00029	Elec Receptacle Cover	1.0	EA	106.00
31	MLB00028	120/240 Duplex Elec Receptacle	1.0	EA	71.62
32	MDA00035	Coated Choke Cable	1.0	EA	42.47
33	MDA00097	Fuel Cap/gauge (Effective 3/24/03 to 12/28/10)	1.0	EA	33.75
33	MDA00184	3.5" Carb Ratcheting Cap	1.0	EA	31.73
34	MLA00011	Elec Box	1.0	EA	47.58
35	MAH00036	#6-32NCX3/8LG Hwh TC Scr	2.0	EA	0.28
36	T1201702	Voltage Label	1.0	EA	11.52
37	816348	Motor On/off/start/choke Label	1.0	EA	8.64
38	8163121	McElroy Label	1.0	EA	22.15
39	T1203901	Fuel Tank (Effective 3/24/03 to 12/28/10)	1.0	EA	204.00
39	1878801	5 Gallon Carb Fuel Tank	1.0	EA	238.00
40	1857502	12/18 Black Battery Cable Mod	1.0	EA	44.92
41	1855201	Gas Belt Guard Weldment	1.0	EA	378.00
42	1855202	Kohler Cmd Frt Belt Guard Wld	1.0	EA	184.00
43	MAB00036	5/16-18NCX1-3/4LG Hhcs	1.0	EA	0.44
44	MBF00006	5/16TY 'a' Wide FL Wshr Stl PL	2.0	EA	0.10
45	MBE00006	5/16 Reg Splt Lck Wshr Stl PL	7.0	EA	0.10
46	MBA00006	5/16-18NC Fnsh Hex Nut Stl PL	5.0	EA	0.28
47	816349	Oil Type Notice Label	1.0	EA	8.42
48	MAB00004	1/4-20NCX1LG Hhcs	2.0	EA	0.28
54	MCK00053	3/8X3/8X1-1/4LG Key,sq Ends	1.0	EA	4.78
55	MCK00038	1/4X1/4X1LG Key,sq Ends	1.0	EA	3.01
56	1824501	Eng Linkage Cover W/ Hardware	1.0	EA	22.26
57	MAB00033	5/16-18NCX1LG Hhcs	5.0	EA	0.39

## McElroy Manufacturing Parts List

**Part Number:** 1869701 412/618 Gas Power Assembly (Replaced by 1880001)

58	MBG00057	1/4" Ext Tooth Lock Washer	2.0 EA	0.11
59	MAL00007	1/4-20NCX3/4LG Hwh TF Screw	2.0 EA	0.90
60	MLK00077	1/2 Strain Relief	1.0 EA	13.24
61	1871501	Fuel Tank Cover	1.0 EA	79.72
63	MBA00026	5/16-24NF Fnsh Hex Nut Stl PL	1.0 EA	0.30
64	816303	Engine Prestart Notice Label	1.0 EA	9.56
65	MAR00009	M4-.7X16MMLG Hhcs (Effective 3/24/03 to 12/28/10)	1.0 EA	0.00
66	MAB00003	1/4-20NCX3/4LG Hhcs	1.0 EA	0.27
67	MBB00006	5/16-18NC Fnsh Jam Nut Stlpl	1.0 EA	0.10
68	MBC00005	1/4-20NC Fnsh Hex Nyl Lck Nut	1.0 EA	0.69
69	816342	Safety Instr Manual Label	1.0 EA	7.40
70	MBA00008	7/16-14NC Fnsh Hex Nut Stl PL	2.0 EA	1.37
71	MFA00002	2MPT Plug (Effective 6/23/05 to 12/28/10)	1.0 EA	2.56
71	MDC00050	Panel Screw MDC00027/MDC00029	2.0 EA	0.74
72	1824401	Muffler Guard Assembly	1.0 EA	340.00
73	MCH00001	1/8DIA X 1LG Cotter Pin	2.0 EA	0.11
74	MAB00157	5/16-24NFX1LG Hhcs	1.0 EA	0.32
76	MHA00025	Fuelhose 1/4ID(6.3MM) SAE30R7	1.166 FT	3.38
77	MBF00008	7/16TY 'a' Wide FL Wshr Stl PL	2.0 EA	0.11
78	MBE00008	7/16 Reg Split Lck Wshr Stl PL	2.0 EA	0.11
79	T804301	Unleaded Fuel Label	1.0 EA	4.80
80	1866901	Engine Drain Hose Assembly with Fittings	1.0 EA	0.00
81	8163190	Epa Evap Label	1.0 EA	0.00

Please visit <https://fusion.mcelroy.com/parts> to purchase parts or for more information.