



McElroy Manufacturing, Inc.
The leader by design.
Tulsa, Oklahoma U.S.A.

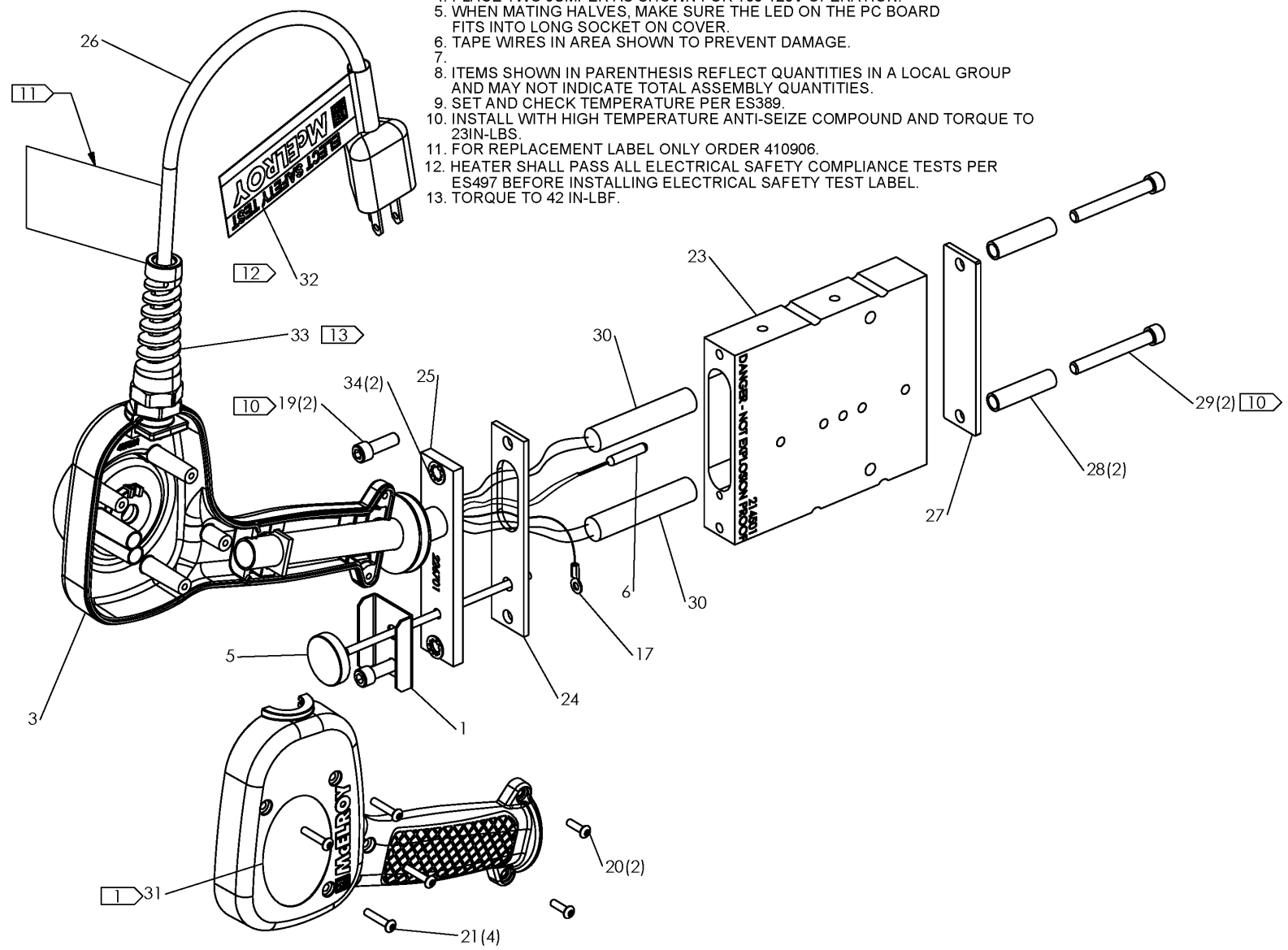
DRAWN: RLE	CHECK: JAL	APPR'VD: JRP	DATE: 9/20/04	SHT No: 5A	REV No: J	PART No: 214905
------------	------------	--------------	---------------	------------	-----------	-----------------

2" Multi-Mc SIDEWALL & SOCKET HEATER ASSEMBLY 100-120V, 50/60Hz, 1Ph

NOTE: THIS DRAWING AND THE INFORMATION CONTAINED THEREIN IS THE CONFIDENTIAL AND PROPRIETARY PROPERTY OF McElroy Manufacturing, Inc. THE DRAWING IS NOT TO BE REPRODUCED IN ANY MANNER, SUBMITTED TO OUTSIDE PARTIES FOR EXAMINATION, OR USED DIRECTLY OR INDIRECTLY FOR THE PURPOSES OTHER THAN THOSE FOR WHICH IT WAS FURNISHED WITHOUT WRITTEN PERMISSION OF McElroy Manufacturing, Inc.

NOTES:

1. ITEM 31 SHOULD BE ORIENTED THE SAME AS THE MMI LOGO.
2. ITEM 8 MUST BE ORIENTED SO THE NOTCH ENGAGES THE KEY ON ITEM 3.
3. RING TERMINAL MUST BE ORIENTED AS SHOWN.
4. PLACE TWO JUMPER AS SHOWN FOR 100-120V OPERATION.
5. WHEN MATING HALVES, MAKE SURE THE LED ON THE PC BOARD FITS INTO LONG SOCKET ON COVER.
6. TAPE WIRES IN AREA SHOWN TO PREVENT DAMAGE.
- 7.
8. ITEMS SHOWN IN PARENTHESIS REFLECT QUANTITIES IN A LOCAL GROUP AND MAY NOT INDICATE TOTAL ASSEMBLY QUANTITIES.
9. SET AND CHECK TEMPERATURE PER ES389.
10. INSTALL WITH HIGH TEMPERATURE ANTI-SEIZE COMPOUND AND TORQUE TO 23IN-LBS.
11. FOR REPLACEMENT LABEL ONLY ORDER 410906.
12. HEATER SHALL PASS ALL ELECTRICAL SAFETY COMPLIANCE TESTS PER ES497 BEFORE INSTALLING ELECTRICAL SAFETY TEST LABEL.
13. TORQUE TO 42 IN-LBF.





McElroy Manufacturing, Inc.

The leader by design.

Tulsa, Oklahoma U.S.A.

DRAWN: RLE

CHECK: JAL

APPRVD: JRP

DATE: 9/20/04

SHT No: 5B

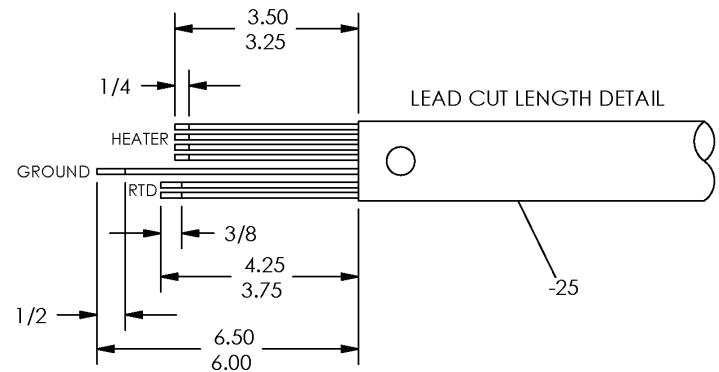
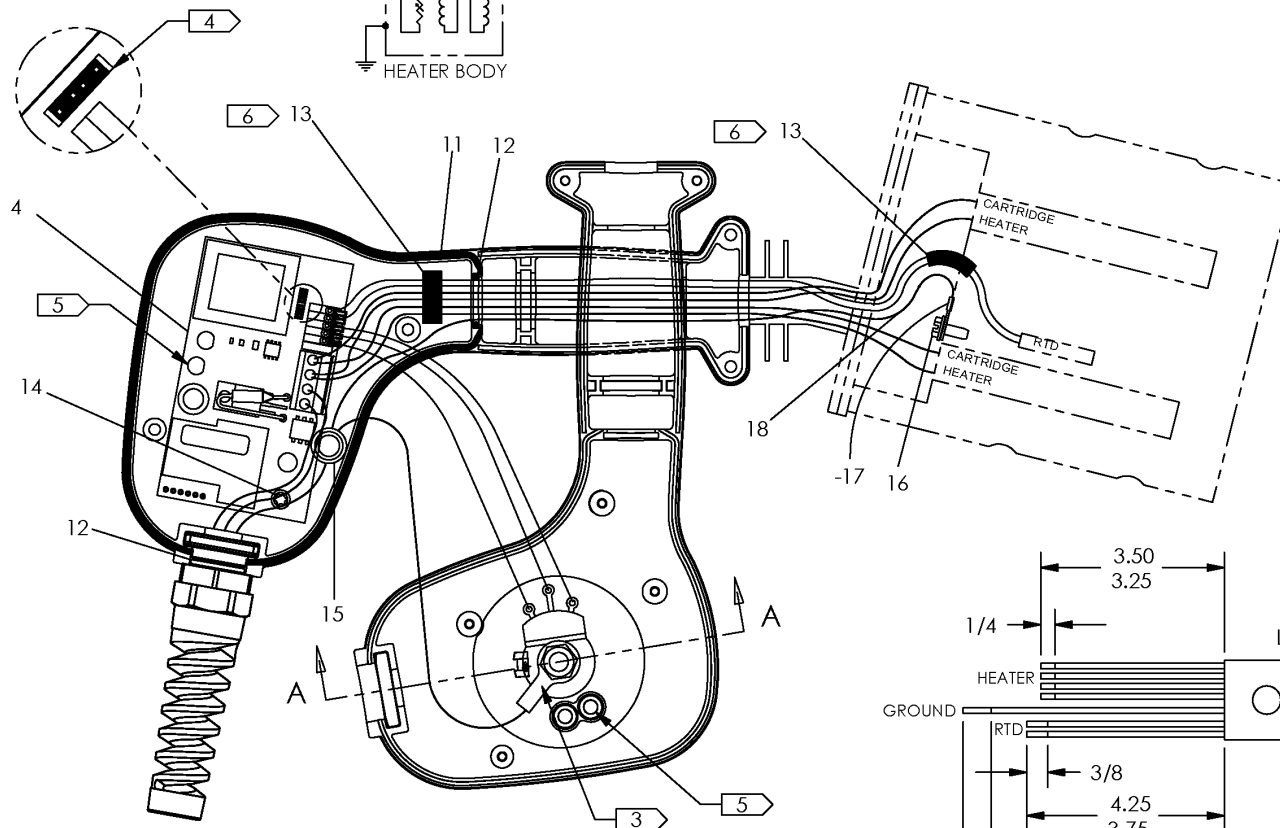
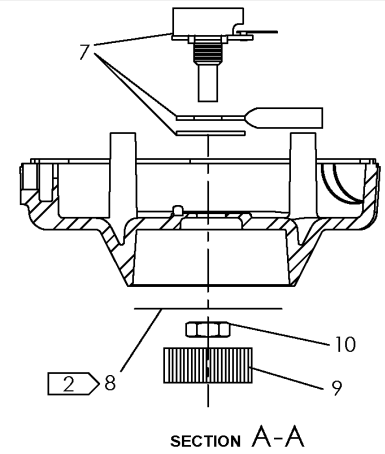
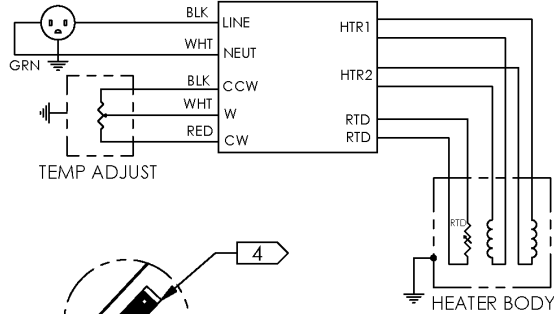
REV No: J

PART No: 214905

2' Multi-Mc SIDEWALL & SOCKET HEATER ASSEMBLY 100-120V, 50/60Hz, 1Ph

NOTE: THIS DRAWING AND THE INFORMATION CONTAINED THEREIN IS THE CONFIDENTIAL AND PROPRIETARY PROPERTY OF McElroy Manufacturing, Inc. THE DRAWING IS NOT TO BE REPRODUCED IN ANY MANNER, SUBMITTED TO OUTSIDE PARTIES FOR EXAMINATION, OR USED DIRECTLY OR INDIRECTLY FOR THE PURPOSES OTHER THAN THOSE FOR WHICH IT WAS FURNISHED WITHOUT WRITTEN PERMISSION OF McElroy Manufacturing, Inc.

120 VAC PLUG



McElroy Manufacturing Parts List

Part Number: 214905 2 MultiMc Sidewall & Socket 100-120V Heater Assembly



2mlmc sdwl&skt 100-120 htr asy

Part Number 214905 Component List

Item	Component	Description	Quantity	Unit	Price
1	214801	Mlmc Thermal Guard	1.0	EA	4.97
2	410906	Dng Not Expln Proof Tag Label (Effective 9/22/04 to 12/1/09)	1.0	EA	1.14
3	437203	Small Htr Handle/enclosure	1.0	EA	22.06
4	T5030001	Heater Control Pcb Assy	1.0	EA	101.00
5	MJK00001	5LG,150-650DEG F Thermometer	1.0	EA	36.84
6	MKI00003	1X3/16 316SS 100OHM Plat Rtd	1.0	EA	75.24
7	T5030002	Potentiometer Assy	1.0	EA	9.31
8	816382	Temperature Scale Label	1.0	EA	8.64
9	MJJ00023	Control Knob	1.0	EA	3.30
10	MBA00067	3/8-32NEF X 0.22 X 1/4 Sealnut	1.0	EA	4.58
11	MDL00243	.070DIA Buna-n O-ring Stock	1.5	FT	0.87
12	MDL00248	O-ring	2.0	EA	1.25
13	MLN00219	Fiberglass Tape (per Ft)	0.667	FT	0.36
14	MAL00011	#6-19X1/4LG Torx T15 Pan Hdscr	1.0	EA	0.36
15	MLM00002	2/16-2/22 Closed End Splice	1.0	EA	0.44
16	MAH00036	#6-32NCX3/8LG Hwh TC Scr (Effective 9/22/04 to 2/13/19)	1.0	EA	0.28
16	MAL00024	#8-32NCX1/4LG Hwhsms SS	1.0	EA	0.14
17	MLM00004	18-22 X #6 Ring Term, Non-insu (Effective 9/22/04 to 2/13/19)	1.0	EA	0.26
17	MLM00372	18-22 X #8 Hi-temp Ring Term	1.0	EA	0.00
18	MLL00004	#18 Type Tggt Elec Wire (Effective 9/22/04 to 8/29/16)	1.0	FT	2.01
18	MLL00214	#18 Type Tggt Wire, Green/yel	1.0	FT	1.14
19	MAH00052	1/4-20NC X 3/4"LG Shcs SS	2.0	EA	3.49
20	MAL00013	#6-19X1/2LG Torx T15 Pan Hdscr	2.0	EA	0.42
21	MAL00010	#6-19X3/4LG Torx T15 Pan Hdscr	4.0	EA	0.42
22	A214102	2" MultiMc/Socket Fusion Heater Screw&Driver Kit	1.0	EA	37.43
23	214501	Mlmc Htr Body	1.0	EA	225.00

McElroy Manufacturing Parts List

Part Number: 214905 2 MultiMc Sidewall & Socket 100-120V Heater Assembly

24	214701	Mlmc Htr Cover Plate Gasket	1.0 EA	4.79
25	226701	Heater Handle Wld	1.0 EA	86.16
26	434201	Replaced by A434202 (Effective 9/22/04 to 6/29/17)	1.0 EA	0.00
26	434202	13AMP/120V Power Cord	1.0 EA	27.51
27	SW03801	SW Htr Spacer Base	1.0 EA	14.71
28	SW03503	Heater Spacer Tube	2.0 EA	6.81
29	MAH00067	1/4-20NCX2LG Shcs SS	2.0 EA	4.26
30	MLD00008	120V, 400W, 1/2X2-1/2 Crtg Htr	2.0 EA	46.12
31	8163112	Model 214905 Part NO Label	1.0 EA	8.90
32	8163210	Electrical Safety Test Label	1.0 EA	0.00
33	434302	Power Cord Strain Relief	1.0 EA	10.04
34	MBG00133	1/4" Belleville Spring Wshr SS	2.0 EA	1.04

Please visit <https://fusion.mcelroy.com/parts> to purchase parts or for more information.