

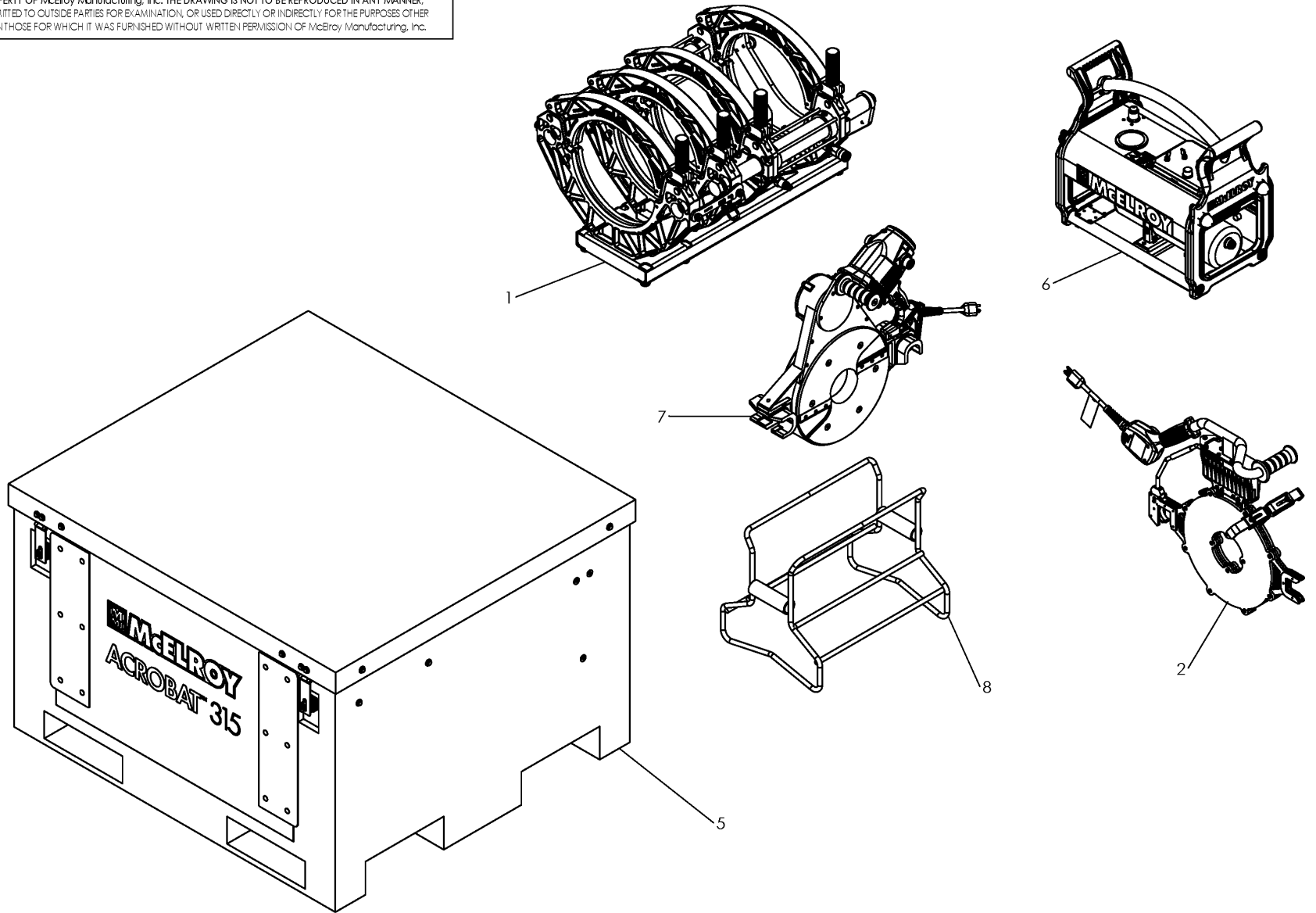


McElroy Manufacturing, Inc.
The leader by design.
Tulsa, Oklahoma U.S.A.

DRAWN: MRH CHECK: RJK APPR'VD: PJD DATE: 10/30/17 SHT No: 1 REV No: C PART No: A31500100

Acrobat™ 315mm FUSION MACHINE PACKAGE

NOTE: THIS DRAWING AND THE INFORMATION CONTAINED THEREIN IS THE CONFIDENTIAL AND PROPRIETARY PROPERTY OF McElroy Manufacturing, Inc. THE DRAWING IS NOT TO BE REPRODUCED IN ANY MANNER, SUBMITTED TO OUTSIDE PARTIES FOR EXAMINATION, OR USED DIRECTLY OR INDIRECTLY FOR THE PURPOSES OTHER THAN THOSE FOR WHICH IT WAS FURNISHED WITHOUT WRITTEN PERMISSION OF McElroy Manufacturing, Inc.



McElroy Manufacturing Parts List

Part Number: A31500105 Acrobat 315 HF 120V Fusion Machine Package with Dynamc HPU

Part Number A31500105 Component List

Item	Component	Description	Quantity	Unit	Price
1	31500102	Acrobat 315 HF Carriage Assembly	1.0	EA	0.00
2	31500701	Acrobat 315 120V Heater Assembly	1.0	EA	3,381.00
5	2511001	Acrobat 250 Front Loading Shipping Container (Effective to 2/12/18)	1.0	EA	1,403.00
5	2511101	Acrobat 250mm/315mm Front Loading Shipping Container (Effective 2/13/18 to 9/12/18)	1.0	EA	1,403.00
5	2510902	Acrobat 315mm Front Loading Shipping Container	1.0	EA	1,297.00
6	1272701	DynaMc Electric Pump 120V, 60Hz, 1Ph HPU Assembly	1.0	EA	6,350.00
7	31500501	Acrobat 315mm 110-120V, 50/60Hz, 1Ph Facer Assembly	1.0	EA	7,896.00
8	T1201101	Facer Stand	1.0	EA	459.00
9	T1208602	4.63 Long Facer Blade Set (4 Blades)	1.0	S4	319.00

Please visit <https://fusion.mcelroy.com/parts> to purchase parts or for more information.