



McElroy Manufacturing, Inc.
The leader by design.
Tulsa, Oklahoma U.S.A.

DRAWN: PJD

CHECK: PSE

APPRVD: SWB

DATE: 5/27/08

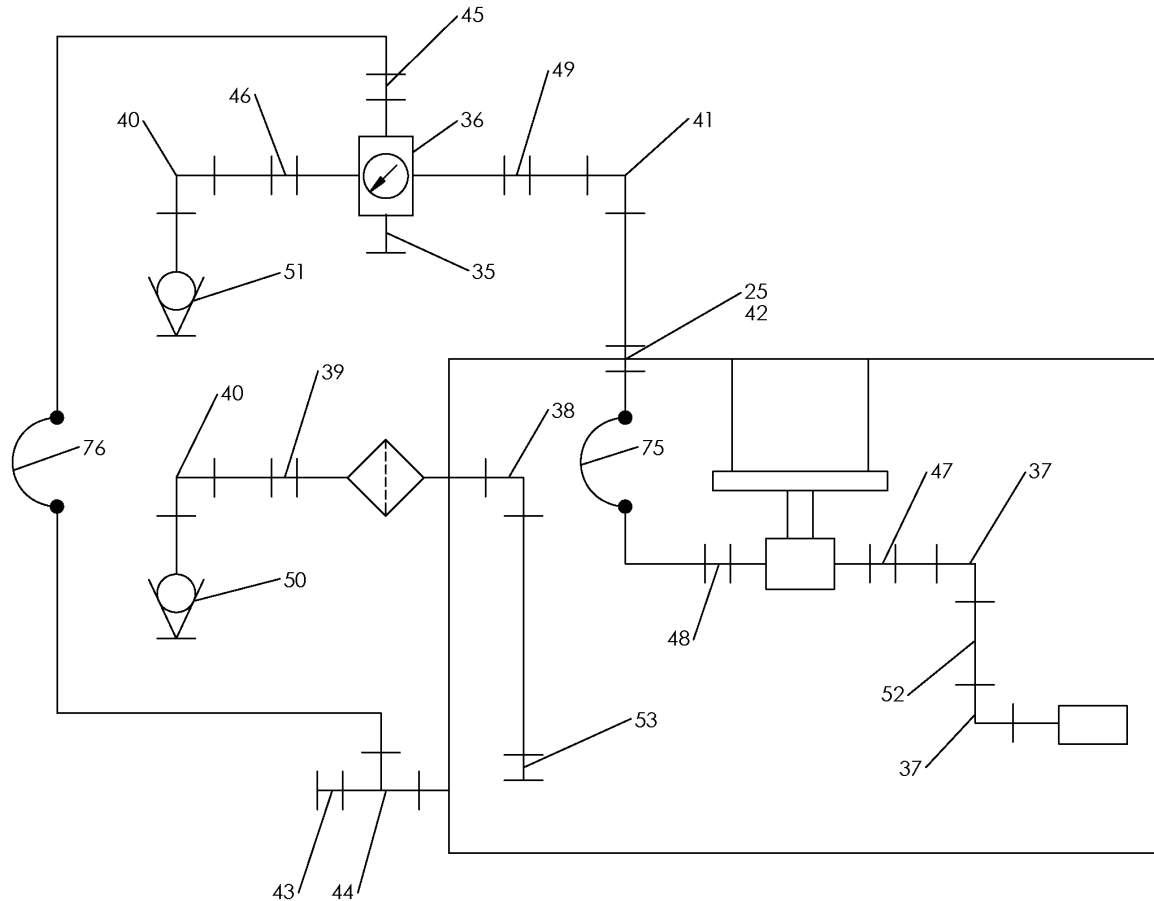
SHT No: 1B

REV No: F

PART No: LT0172

Line Tamer™ 5.5HP GAS HYDRAULIC POWER UNIT ASSEMBLY

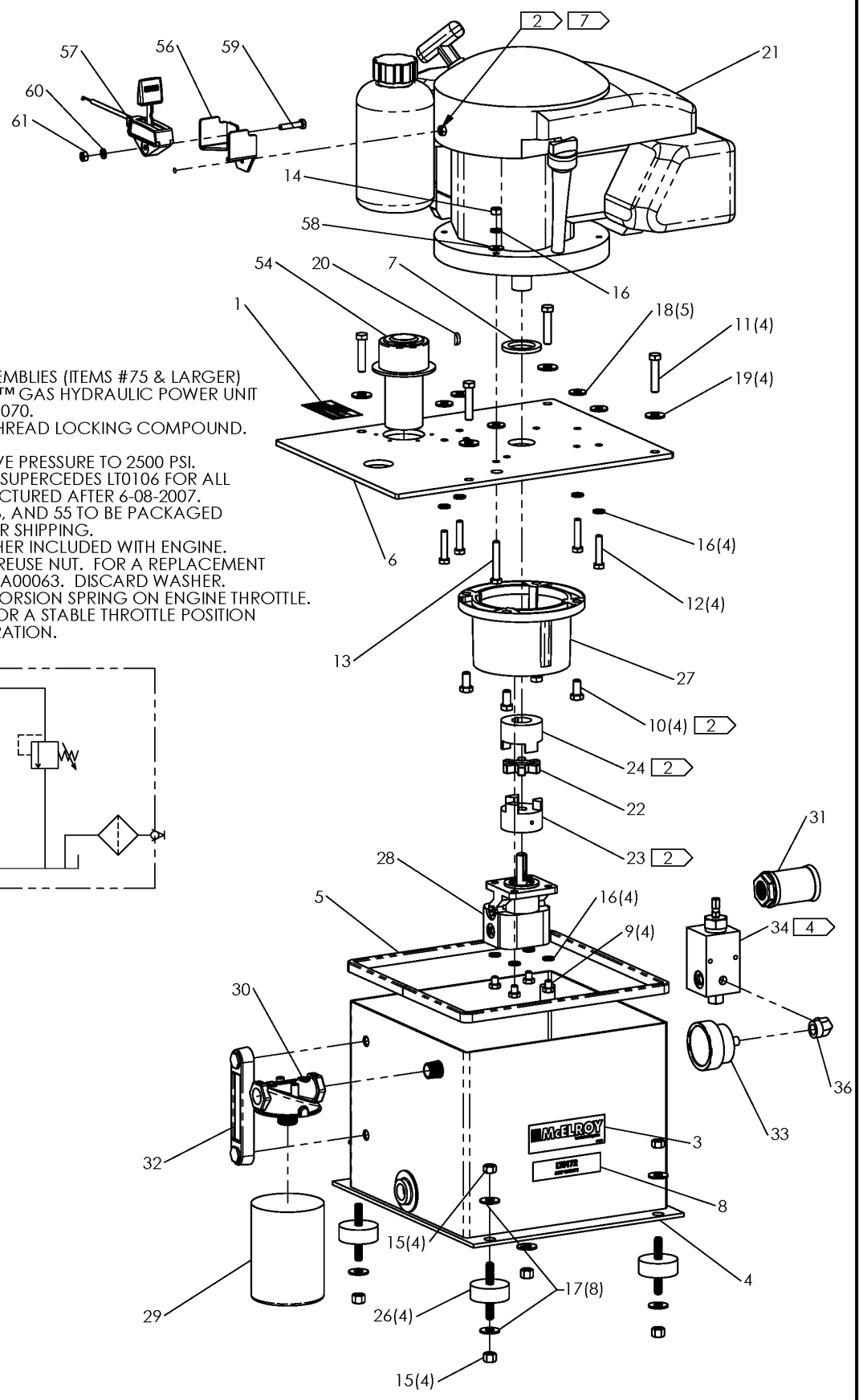
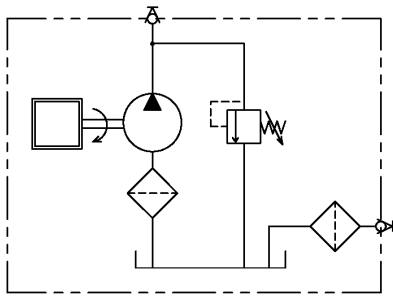
NOTE: THIS DRAWING AND THE INFORMATION CONTAINED THEREIN IS THE CONFIDENTIAL AND PROPRIETARY PROPERTY OF McElroy Manufacturing, Inc. THE DRAWING IS NOT TO BE REPRODUCED IN ANY MANNER, SUBMITTED TO OUTSIDE PARTIES FOR EXAMINATION, OR USED DIRECTLY OR INDIRECTLY FOR THE PURPOSES OTHER THAN THOSE FOR WHICH IT WAS FURNISHED WITHOUT WRITTEN PERMISSION OF McElroy Manufacturing, Inc.



McElroy Manufacturing, Inc. PART No: LT0172
 DRAWN: PJD REV F No: 1A
 CHECK: PSE APRVD: SWB DATE: 5/27/08
 Line Tamer™ 5.5HP GAS HYDRAULIC POWER UNIT ASSEMBLY

NOTE: THIS DRAWING AND THE INFORMATION CONTAINED THEREIN IS THE CONFIDENTIAL AND PROPRIETARY PROPERTY OF McElroy Manufacturing, Inc. THE DRAWING IS NOT TO BE REPRODUCED IN ANY MANNER, SUBMITTED TO OUTSIDE PARTIES FOR EXAMINATION, OR USED DIRECTLY OR INDIRECTLY, FOR THE PURPOSES OTHER THAN THOSE FOR WHICH IT WAS FURNISHED WITHOUT WRITTEN PERMISSION OF McElroy Manufacturing, Inc.

- NOTES:
1. FOR HOSE ASSEMBLIES (ITEMS #75 & LARGER) SEE Line Tamer™ GAS HYDRAULIC POWER UNIT HOSE KIT #ALT0070.
 2. INSTALL WITH THREAD LOCKING COMPOUND.
 - 3.
 4. SET RELIEF VALVE PRESSURE TO 2500 PSI.
 5. THIS ASSEMBLY SUPERCEDES LT0106 FOR ALL UNITS MANUFACTURED AFTER 6-08-2007.
 6. ITEMS 15, 17, 26, AND 55 TO BE PACKAGED SEPERATELY FOR SHIPPING.
 7. NUT AND WASHER INCLUDED WITH ENGINE. REMOVE AND REUSE NUT. FOR A REPLACEMENT NUT ORDER MBA00063. DISCARD WASHER.
 8. DISCONNECT TORSION SPRING ON ENGINE THROTTLE. THIS ALLOWS FOR A STABLE THROTTLE POSITION DURING OPERATION.



McElroy Manufacturing Parts List

Part Number: LT0172 LineTamer 5.5 HP Gas Hydraulic Power Unit Assembly



Lt 5.5hp gas hpu assy

Part Number LT0172 Component List

Item	Component	Description	Quantity	Unit	Price
1	8163106	Hyd Oil Specification Label	1.0	EA	9.64
2	ALT0070	Hpu Hose Kit	1.0	EA	91.68
3	LT0039	Mmi Logo Label	1.0	EA	20.25
4	LT0050	Hyd Rsvr	1.0	EA	0.00
5	LT0052	Hyd Rsvr Seal	1.0	EA	17.28

McElroy Manufacturing Parts List

Part Number: LT0172 LineTamer 5.5 HP Gas Hydraulic Power Unit Assembly

6	LT0107	Hyd Reservoir Cover	1.0 EA	0.00
7	LT0108	Eng Shaft Seal	1.0 EA	8.73
8	LT0174	LT LT0172 Identification Label	1.0 EA	15.61
9	MAB00032	5/16-18NCX3/4LG Hhcs	4.0 EA	0.41
10	MAB00063	3/8-16NCX3/4LG Hhcs	4.0 EA	0.40
11	MAB00067	3/8-16NCX1-3/4LG Hhcs	4.0 EA	0.49
12	MAB00140	5/16-24NFX1-1/2LG Hhcs	4.0 EA	0.48
13	MAB00037	5/16-18NCX2LG Hhcs	1.0 EA	0.45
14	MBA00006	5/16-18NC Fnsh Hex Nut Stl PL	1.0 EA	0.28
15	MBC00007	3/8-16NC Fnsh Hex Nyl Lck Nut	8.0 EA	0.67
16	MBE00006	5/16 Reg Splt Lck Wshr Stl PL	9.0 EA	0.10
17	MBF00007	3/8 TY 'a' Wide FL Wshr Stl PL	8.0 EA	0.10
18	MBG00056	5/16 Seal Washer	5.0 EA	0.90
19	MBG00060	3/8 Seal Washer	4.0 EA	0.55
20	MCK00036	#505 Woodruff Key 5/32 X 5/8	1.0 EA	0.00
21	MDA00167	5.5 HP Gasoline Engine	1.0 EA	1,183.00
22	MDJ00046	Coupling Insert	1.0 EA	17.97
23	MDJ00047	1/2B X 1/8" Key Coupling Half	1.0 EA	0.00
24	MDJ00078	1"BX#505 Wdf KY Cplg Half W/ss	1.0 EA	0.00
25	MDL00192	O-ring	1.0 EA	4.37
26	MDR00071	Shock Mount	4.0 EA	20.07
27	MEA00002	Pump Adapter	1.0 EA	129.00
28	MEA00051	Bi-rotational Gear Pump	1.0 EA	478.00
29	MED00051	10 Micron ZAE-10 Filter Elem	1.0 EA	35.24
30	MED00045	Filter Head	1.0 EA	0.00
31	MED00046	Suction Strainer	1.0 EA	50.78
32	MEE00014	5" Sight Gauge W/thermometer	1.0 EA	75.54
33	MEE00042	3000PSI Pressure Gauge	1.0 EA	104.00
34	MEH00012	Relief Valve	1.0 EA	356.00
35	MFA00007	4MPT Plug	1.0 EA	0.90
36	MFA00008	4MPT/4FPT Elbow	1.0 EA	11.98
37	MFA00022	8MPT/8FPT Elbow	2.0 EA	16.79
38	MFA00023	8FPT/8FPT Elbow	1.0 EA	23.47
39	MFA00026	8MPT/4FPT Reducer	1.0 EA	6.75
40	MFA00140	4MPT/4MPT Elbow	2.0 EA	8.69
41	MFB00012	6MJIC/6FSJIC Elbow	1.0 EA	12.26
42	MFB00014	6MJIC/6MJIC Bulkhead Union	1.0 EA	0.00
43	MFB00117	8FJIC Cap	1.0 EA	0.00
44	MFB00147	8MPT/8MJIC/8MJIC Tee	1.0 EA	0.00
45	MFC00002	6MSAE/6MJIC Adapter	1.0 EA	6.00
46	MFC00005	4FPT/6MSAE Adapter	1.0 EA	12.64
47	MFC00015	8MSAE/8FPT Adapter	1.0 EA	0.00
48	MFC00027	8MSAE/6MJIC Adapter	1.0 EA	5.84
49	MFC00080	6MSAE/6FJICS Swivel Adapter	1.0 EA	48.31
50	MFH00001	1/4FNPT Quick Disc Coupler	1.0 EA	19.25
51	MFH00002	1/4FNPT Quick Disc Nipple	1.0 EA	8.00
52	MFI00027	1/2NPT Xhs Close Nipple PL	1.0 EA	7.96
53	MFI00032	1/2NPTX6LG Xhs Nipple PL	1.0 EA	0.00
54	MFK00001	Chrome Filler Cap	1.0 EA	30.79
55	MRA00011	5.5 HP Honda Gas Eng Owner Mnl (Effective to 11/25/14)	1.0 EA	0.00
56	LT0175	Throttle Bracket (Effective to 9/17/12)	1.0 EA	60.00
56	LT0176	Throttle Bracket	1.0 EA	40.48
57	MDA00168	Throttle Cable for MDA00167	1.0 EA	56.81
58	MBF00005	1/4 TY 'a' Wide FL Wshr Stl PL	1.0 EA	0.10
59	MAB00005	1/4-20NCX1-1/4LG Hhcs	1.0 EA	0.28
60	MBE00005	1/4 Reg Splt Lck Washer Stl PL	1.0 EA	0.10
61	MBA00005	1/4-20NC Fnsh Hex Nut Stl PL	1.0 EA	0.28

McElroy Manufacturing Parts List

Part Number: LT0172 LineTamer 5.5 HP Gas Hydraulic Power Unit Assembly

Please visit <https://fusion.mcelroy.com/parts> to purchase parts or for more information.

