



McElroy Manufacturing, Inc.

The leader by design.

Tulsa, Oklahoma U.S.A.

DRAWN: PJD

CHECK: BOC

APPRVD: DWP

DATE: 12/11/09

SHT No: 1

REV No: D

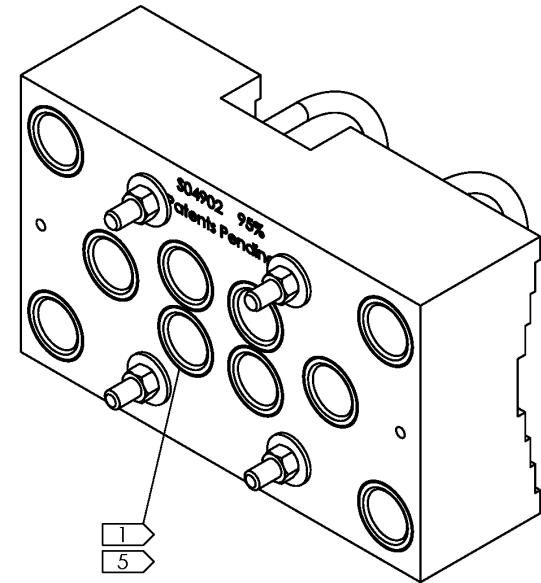
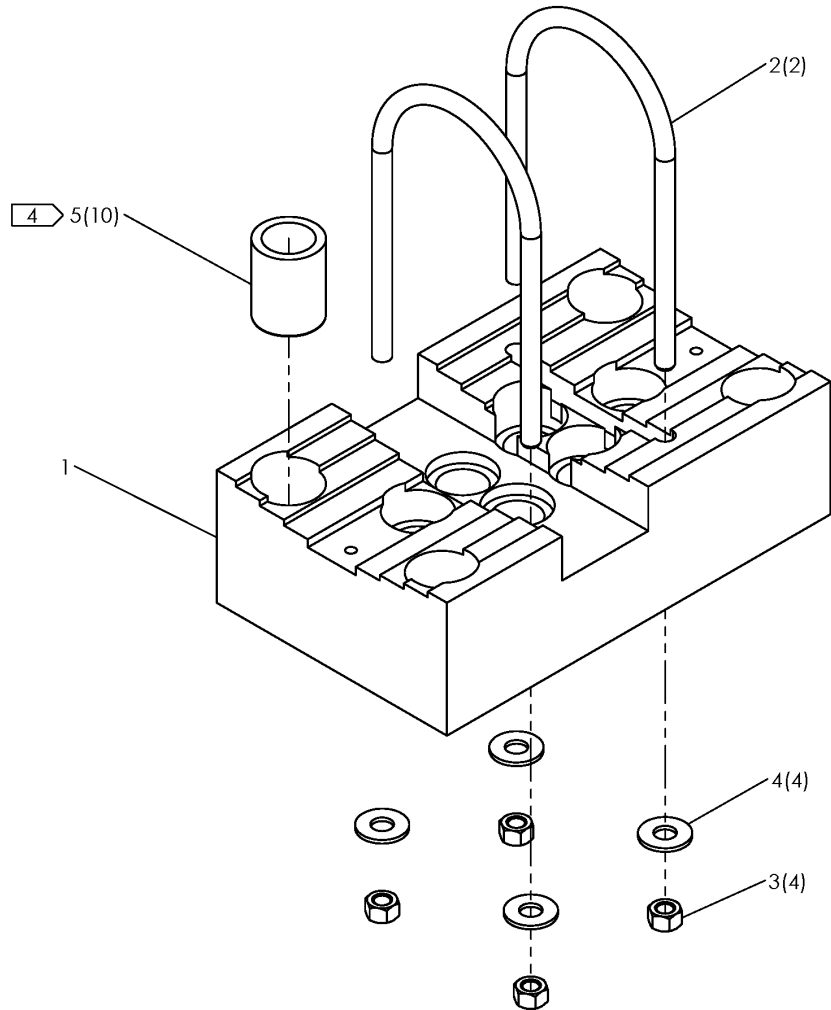
PART No: S04801

FIELD COUPON DRILL FIXTURE ASSEMBLY

NOTE: THIS DRAWING AND THE INFORMATION CONTAINED THEREIN IS THE CONFIDENTIAL AND PROPRIETARY PROPERTY OF McElroy Manufacturing, Inc. THE DRAWING IS NOT TO BE REPRODUCED IN ANY MANNER, SUBMITTED TO OUTSIDE PARTIES FOR EXAMINATION, OR USED DIRECTLY OR INDIRECTLY FOR THE PURPOSES OTHER THAN THOSE FOR WHICH IT WAS FURNISHED WITHOUT WRITTEN PERMISSION OF McElroy Manufacturing, Inc.

NOTES:

1. INSTALL ITEM 5 FLUSH WITH LOWEST ADJACENT SURFACE ON ITEM 1 AS SHOWN.
2. COAT BUSHINGS AND HOLES WITH WHITE LITHIUM GREASE PRIOR TO INSTALLATION.
3. AFTER INSTALLATION CHECK HOLES IN BUSHINGS WITH 1" "GO GAUGE". HONE TO FIT AS NECESSARY GO 1.000 NO GO 1.001 MARKED TIN1630
4. THESE COMPONENTS ARE INSTALLED AND ONLY SOLD AS PART OF ITEM 1.
5. INSTALL ITEM 5 WITH THE DRILL BUSHINGS ID CHAMFER POINTING TO THE FLAT SURFACE OF ITEM 1.



UNLESS NOTED OTHERWISE (3) PLC DIMS .XXX = ±0.005" (2) PLC DIMS .XX = ±0.010" FRACTIONAL DIMS = ±1/32" ANGULAR DIMS = ±1/4° REMOVE ALL BURRS BREAK ALL SHARP EDGES STAMP OR ETCH P/N ON ALL DETAIL PARTS

ASSEMBLY			SIZE AND DESCRIPTION
MMI NUMBER	ITEM	QTY.	

McElroy Manufacturing Parts List

Part Number: S04801 Field Coupon Drill Fixture Assembly

Part Number S04801 Component List

Item	Component	Description	Quantity	Unit	Price
1	S04901	Obsolete (Effective to 3/17/10)	1.0	EA	0.00
1	S04902	95% Field Coupon Drill Fixture	1.0	EA	0.00
2	S05001	U Bolt	2.0	EA	41.64
3	MBA00007	3/8-16NC Fnsh Hex Nut Stl PL	4.0	EA	0.28
4	MBF00007	3/8 TY 'a' Wide FL Wshr Stl PL	4.0	EA	0.10

Please visit <https://fusion.mcelroy.com/parts> to purchase parts or for more information.

