



McElroy Manufacturing, Inc.
The leader by design.
Tulsa, Oklahoma U.S.A.

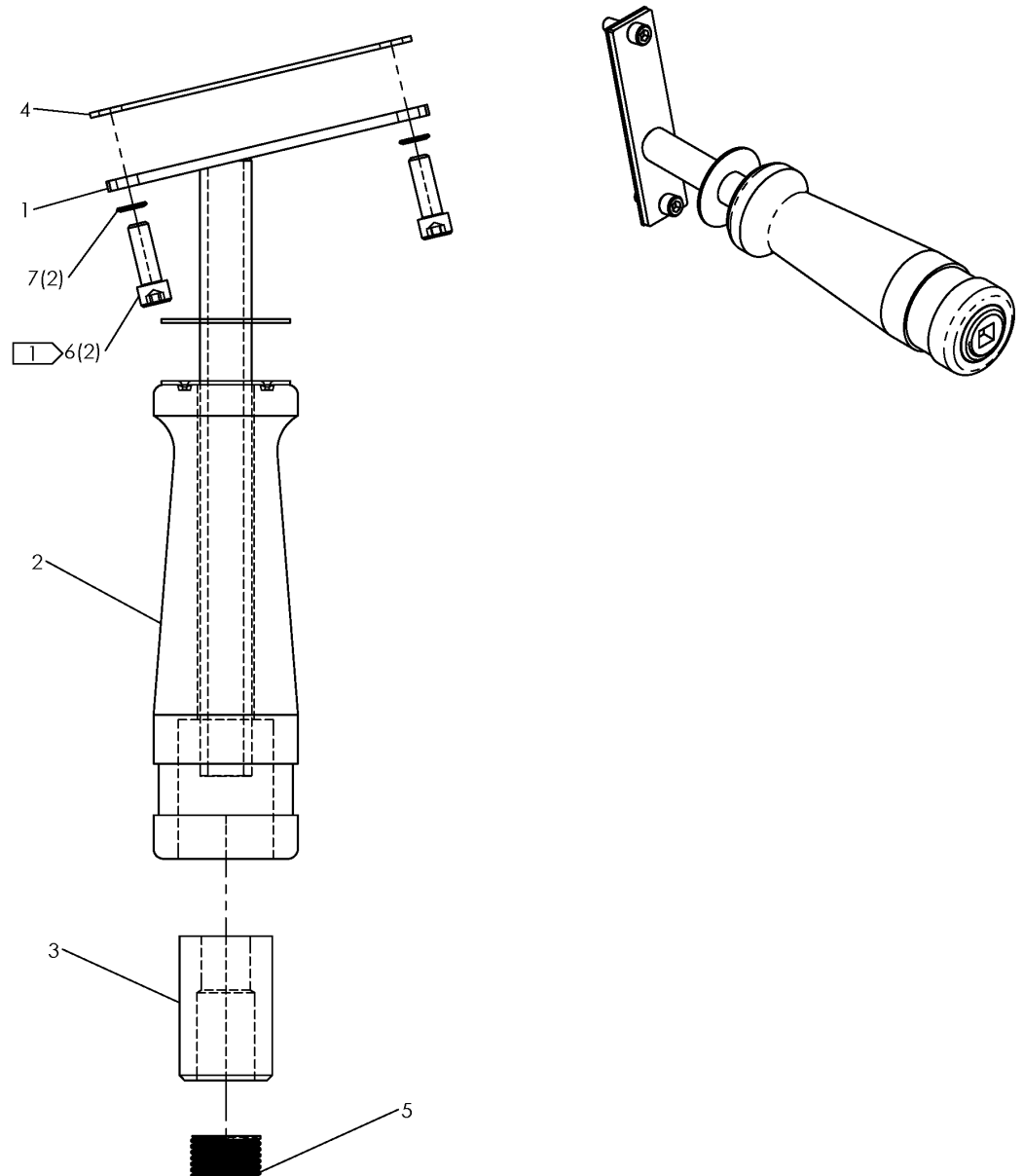
DRAWN: BWP CHECK: LMC APPRVD: LMC DATE: 1/16/84 SHT No: 1 REV No: K PART No: SW02800

AUXILIARY HEATER HANDLE KIT

NOTE: THIS DRAWING AND THE INFORMATION CONTAINED THEREIN IS THE CONFIDENTIAL AND PROPRIETARY PROPERTY OF McElroy Manufacturing, Inc. THE DRAWING IS NOT TO BE REPRODUCED IN ANY MANNER, SUBMITTED TO OUTSIDE PARTIES FOR EXAMINATION, OR USED DIRECTLY OR INDIRECTLY FOR THE PURPOSES OTHER THAN THOSE FOR WHICH IT WAS FURNISHED WITHOUT WRITTEN PERMISSION OF McElroy Manufacturing, Inc.

NOTES:

1. INSTALL WITH HIGH TEMPERATURE ANTI-SEIZE COMPOUND AND TORQUE SCREWS TO 50IN-LBS FOR 1/4-20 FASTENERS IN KITS SW02804 AND SW02806 AND 23IN-LBS FOR 10-24 FASTENERS IN KIT SW02807.



McElroy Manufacturing Parts List

Part Number: SW02804 2" Auxiliary Heater Handle Kit



2 htr auxiliary htr handle kit

Part Number SW02804 Component List

Item	Component	Description	Quantity	Unit	Price
1	SW02803	Auxiliary Htr Handle Weldment	1.0	EA	0.00
2	414701	Wooden Htr Handle	1.0	EA	8.98
3	415101	Htr Handle Threaded Adapter	1.0	EA	18.30
4	SW02805	Auxiliary Htr Handle Gasket	1.0	EA	2.26
5	MLN00027	Thread Close-up Plug	1.0	EA	7.11
6	MAH00109	1/4-20NCX3/4 Hwh TC Screw SS (Effective 12/22/98 to 11/11/14)	2.0	EA	0.99
6	MAH00050	1/4-20NCX1/2LG Shcs SS	2.0	EA	2.96
9	MBG00133	1/4" Belleville Spring Wshr SS	2.0	EA	1.04

Please visit <https://fusion.mcelroy.com/parts> to purchase parts or for more information.