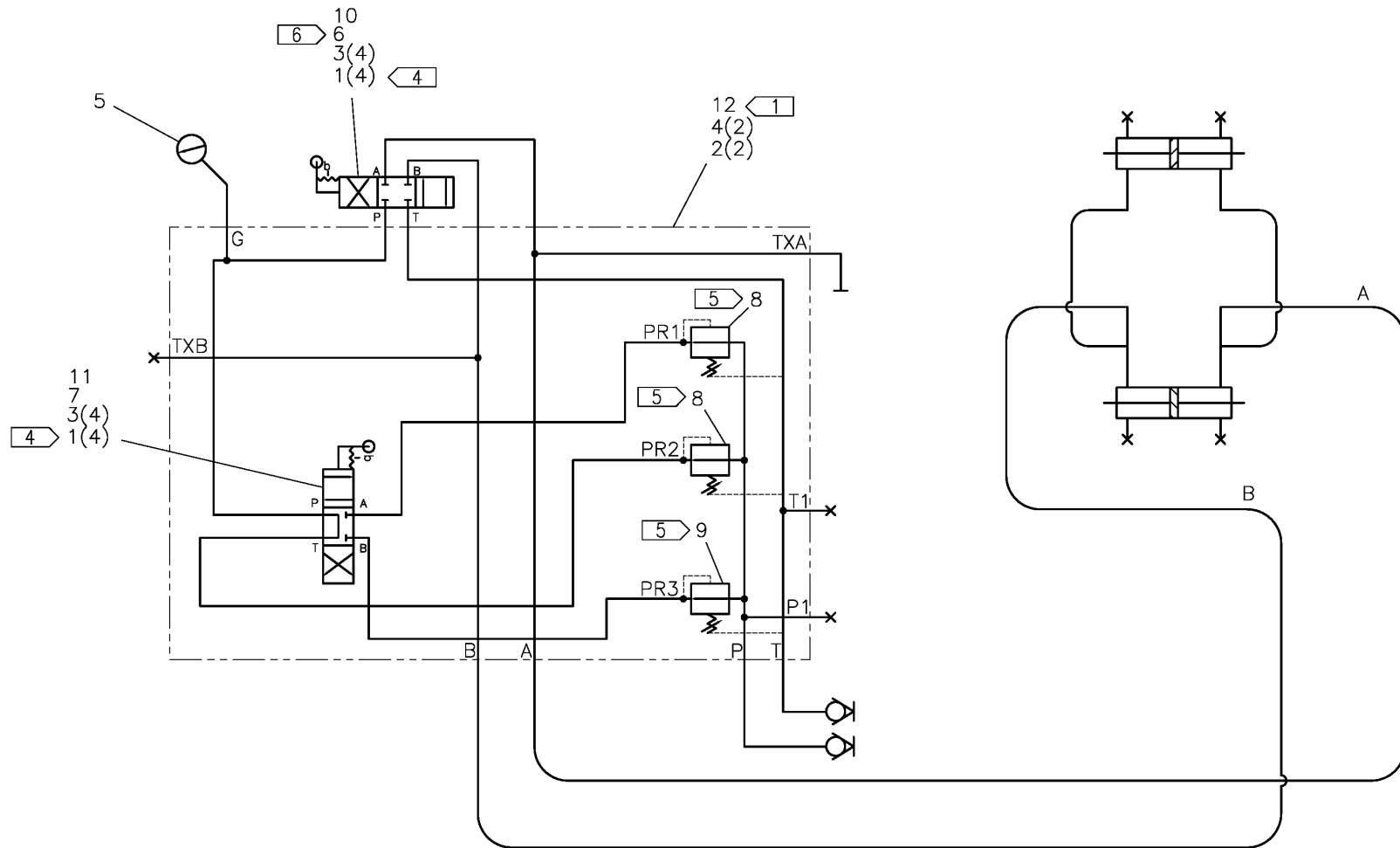




NOTE: THIS DRAWING AND THE INFORMATION CONTAINED THEREIN IS THE CONFIDENTIAL AND PROPRIETARY PROPERTY OF McElroy Manufacturing, Inc. THE DRAWING IS NOT TO BE REPRODUCED IN ANY MANNER, SUBMITTED TO OUTSIDE PARTIES FOR EXAMINATION, OR USED DIRECTLY OR INDIRECTLY FOR THE PURPOSES OTHER THAN THOSE FOR WHICH IT WAS FURNISHED WITHOUT WRITTEN PERMISSION OF McElroy Manufacturing, Inc.

NOTES:

1. THIS ITEM IS A SUB-ASSEMBLY ON A SEPARATE DRAWING.
2. ITEMS SHOWN IN PARENTHESIS REFLECT QUANTITIES IN A LOCAL GROUP AND MAY NOT INDICATE TOTAL ASSEMBLY QUANTITIES.
- 3.
4. TIGHTEN DIRECTIONAL VALVE MOUNTING SCREWS TO 4-5 FT-LBS. (48-60IN-LBS)
5. REDUCING VALVE INSTALLATION TORQUE 30-35 FT-LBS.
6. FOR OPTIONAL LEVER WITH CENTER DETENT ORDER KIT #MEF00322



McElroy Manufacturing Parts List

Part Number: T1201001 TracStar 412 / TracStar 28 HF Carriage Hydraulic Schematic

Part Number T1201001 Component List

Item	Component	Description	Quantity	Unit	Price
1	MAN00008	#10-24NCX1LG Shcs SS	8.0	EA	0.92
2	MAB00064	3/8-16NCX1LG Hhcs	2.0	EA	0.36
3	MBE00004	#10 Reg Splt Lck Washer Stl PL	8.0	EA	0.10
4	MBE00007	3/8 Reg Splt Lck Wshr Stl PL	2.0	EA	0.11
5	MEE00003	1500PSI/BAR Pressure Gauge	1.0	EA	88.79
6	MEF00013	Replaced by AT5060601 (Effective 1/6/04 to 2/12/13)	1.0	EA	0.00
6	MEF00241	VMD03M Directional Valve (4A)	1.0	EA	496.00
7	MEF00014	Replaced by AT5060602 (Effective 1/6/04 to 2/12/13)	1.0	EA	0.00
7	MEF00242	VMD03M Directional Valve (4L)	1.0	EA	569.00
8	MEG00001	Reducing Valve	2.0	EA	126.00
9	MEG00002	Reducing Valve	1.0	EA	147.00
10	8163104	Carriage Open/close Label (Effective 6/24/04 to 2/12/13)	1.0	EA	9.05
10	8163218	Carriage Open/close Label	1.0	EA	5.51
11	8163105	Selector Valve Label (Effective 6/24/04 to 2/12/13)	1.0	EA	9.16
11	8163211	Selector Valve Label	1.0	EA	6.66
12	1814002	Carriage Manifold Assembly	1.0	EA	904.00

Please visit <https://fusion.mcelroy.com/parts> to purchase parts or for more information.