



McElroy Manufacturing, Inc.
The leader by design.
Tulsa, Oklahoma U.S.A.

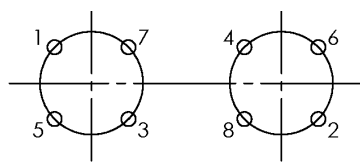
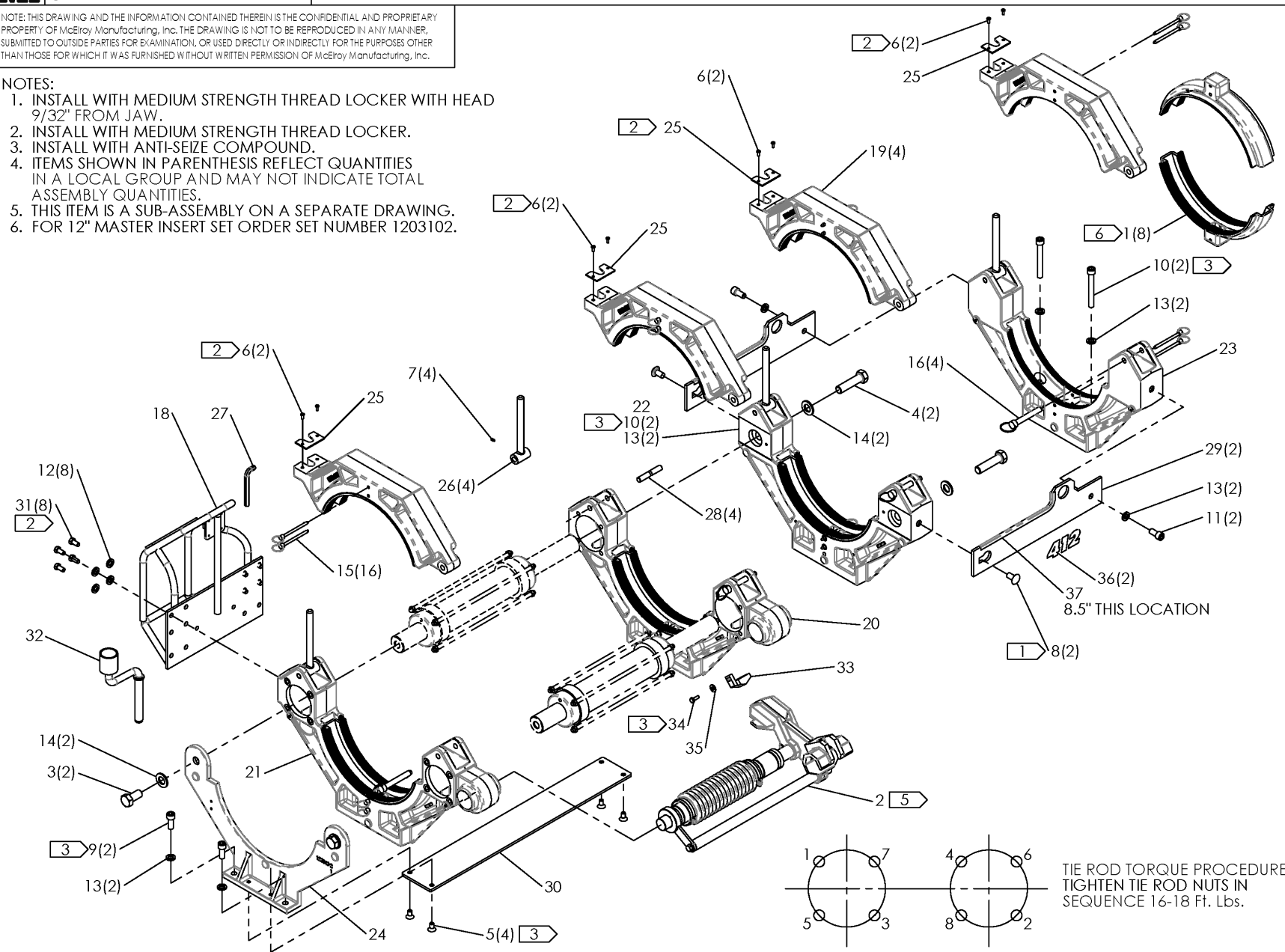
DRAWN: BWW CHECK: BWJ APPR'D: JRP DATE: 8/10/00 SHT No: 1 REV No: N PART No: T1201301

TracStar® 412 DIPS JAW SET ASSEMBLY

NOTE: THIS DRAWING AND THE INFORMATION CONTAINED THEREIN IS THE CONFIDENTIAL AND PROPRIETARY PROPERTY OF McElroy Manufacturing, Inc. THE DRAWING IS NOT TO BE REPRODUCED IN ANY MANNER, SUBMITTED TO OUTSIDE PARTIES FOR EXAMINATION, OR USED DIRECTLY OR INDIRECTLY FOR THE PURPOSES OTHER THAN THOSE FOR WHICH IT WAS FURNISHED WITHOUT WRITTEN PERMISSION OF McElroy Manufacturing, Inc.

NOTES:

1. INSTALL WITH MEDIUM STRENGTH THREAD LOCKER WITH HEAD 9/32" FROM JAW.
2. INSTALL WITH MEDIUM STRENGTH THREAD LOCKER.
3. INSTALL WITH ANTI-SEIZE COMPOUND.
4. ITEMS SHOWN IN PARENTHESIS REFLECT QUANTITIES IN A LOCAL GROUP AND MAY NOT INDICATE TOTAL ASSEMBLY QUANTITIES.
5. THIS ITEM IS A SUB-ASSEMBLY ON A SEPARATE DRAWING.
6. FOR 12" MASTER INSERT SET ORDER SET NUMBER 1203102.



TIE ROD TORQUE PROCEDURE
TIGHTEN TIE ROD NUTS IN
SEQUENCE 16-18 Ft. Lbs.

McElroy Manufacturing Parts List

Part Number: T1201301 TracStar 412 Dips Jaw Set Assembly

Part Number T1201301 Component List

| Item | Component | Description | Quantity | Unit | Price |
|------|-----------|--|----------|------|----------|
| 1 | 1203101 | 12IPS/DIPS Master Insert | 8.0 | EA | 241.00 |
| 2 | T1201401 | TracStar 412 Facer Pivot Shaft Assembly | 1.0 | EA | 918.00 |
| 3 | MAB00091 | 3/4-10NCX1-1/2LG Hhcs | 2.0 | EA | 4.59 |
| 4 | MAB00084 | 3/4-10NCX3LG Hhcs GR8 | 2.0 | EA | 7.15 |
| 5 | MAN00057 | 3/8-16NCX3/4LG Fhscs SS | 4.0 | EA | 1.32 |
| 6 | MAN00062 | #10-24NCX1/2 LG Bhscs SS | 8.0 | EA | 1.00 |
| 7 | MAG00002 | #10-24NCX3/8LG Skt Set Scr | 4.0 | EA | 1.74 |
| 8 | MAI00001 | 1/2-13NCX1LG Crg Bolt | 2.0 | EA | 2.87 |
| 9 | MAN00017 | 1/2-13NCX1-1/4LG Shcs SS | 2.0 | EA | 2.83 |
| 10 | MAN00018 | 1/2-13NCX4LG Shcs SS | 4.0 | EA | 8.97 |
| 11 | MAN00020 | 1/2-13NCX1LG Shcs SS | 2.0 | EA | 4.78 |
| 12 | MBE00007 | 3/8 Reg Splt Lck Wshr Stil PL | 8.0 | EA | 0.11 |
| 13 | MBE00009 | 1/2 Reg Splt Lck Washer Stil PL | 8.0 | EA | 0.11 |
| 14 | MBG00010 | 3/4 Flat Washer Bla | 4.0 | EA | 3.75 |
| 15 | MCE00003 | 1/4 DIA X3.00 Grip Detent Pin | 16.0 | EA | 11.60 |
| 16 | MCE00007 | 1/2 DIA X3.00 Grip Detent Pin | 4.0 | EA | 19.62 |
| 17 | A1226301 | Obsolete Repl by A1226203 (Effective 10/2/00 to 12/8/14) | 4.0 | EA | 0.00 |
| 17 | A1226203 | Clamp Knob Assembly | 4.0 | EA | 183.00 |
| 18 | 1853101 | Manifold Bracket Weldment | 1.0 | EA | 293.00 |
| 19 | 1203302 | Dips Upper Jaw | 4.0 | EA | 588.00 |
| 20 | 1203502 | Dips Lower Inner Movable Jaw | 1.0 | EA | 1,407.00 |
| 21 | 1203503 | Dips Lower Outer Movable Jaw | 1.0 | EA | 1,407.00 |
| 22 | 1203203 | Replaced by 1203208 (Effective 10/2/00 to 4/30/14) | 1.0 | EA | 0.00 |
| 22 | 1203208 | Hyd Clmpng Dips Lwr Inr FX Jaw | 1.0 | EA | 802.00 |
| 23 | 1203204 | Dips Lower Outer Fixed Jaw | 1.0 | EA | 790.00 |
| 24 | 1203402 | Guide Rod Support Plate | 1.0 | EA | 335.00 |
| 25 | 1210501 | Clamp Pad | 4.0 | EA | 25.04 |
| 26 | 1217101 | Eyebolt | 4.0 | EA | 68.67 |
| 27 | MJL00018 | 3/8 Hex Key Wrench-long Ser PL | 1.0 | EA | 9.17 |
| 28 | 1226501 | Pivot Pin | 4.0 | EA | 18.71 |
| 29 | T1802903 | Outer Fixed Jaw Brace | 2.0 | EA | 72.41 |
| 30 | 1814601 | Carriage Support Plate | 1.0 | EA | 130.00 |
| 31 | MAB00063 | 3/8-16NCX3/4LG Hhcs | 8.0 | EA | 0.40 |
| 32 | 1818501 | 12/18 Speed Wrench Assy | 1.0 | EA | 150.00 |
| 33 | T1208901 | Facer Stop Pad | 1.0 | EA | 32.31 |
| 34 | MAB00003 | 1/4-20NCX3/4LG Hhcs | 1.0 | EA | 0.27 |
| 35 | MBF00005 | 1/4 TY 'a' Wide FL Wshr Stil PL | 1.0 | EA | 0.10 |
| 36 | 8163119 | Medium McElroy Branding Label (Effective 12/6/04 to 2/12/07) | 2.0 | EA | 9.42 |
| 36 | 8163149 | 412 Label | 2.0 | EA | 7.40 |
| 37 | MDL00242 | 1/4" Edge Trim | 1.4 | FT | 2.70 |

Please visit <https://fusion.mcelroy.com/parts> to purchase parts or for more information.